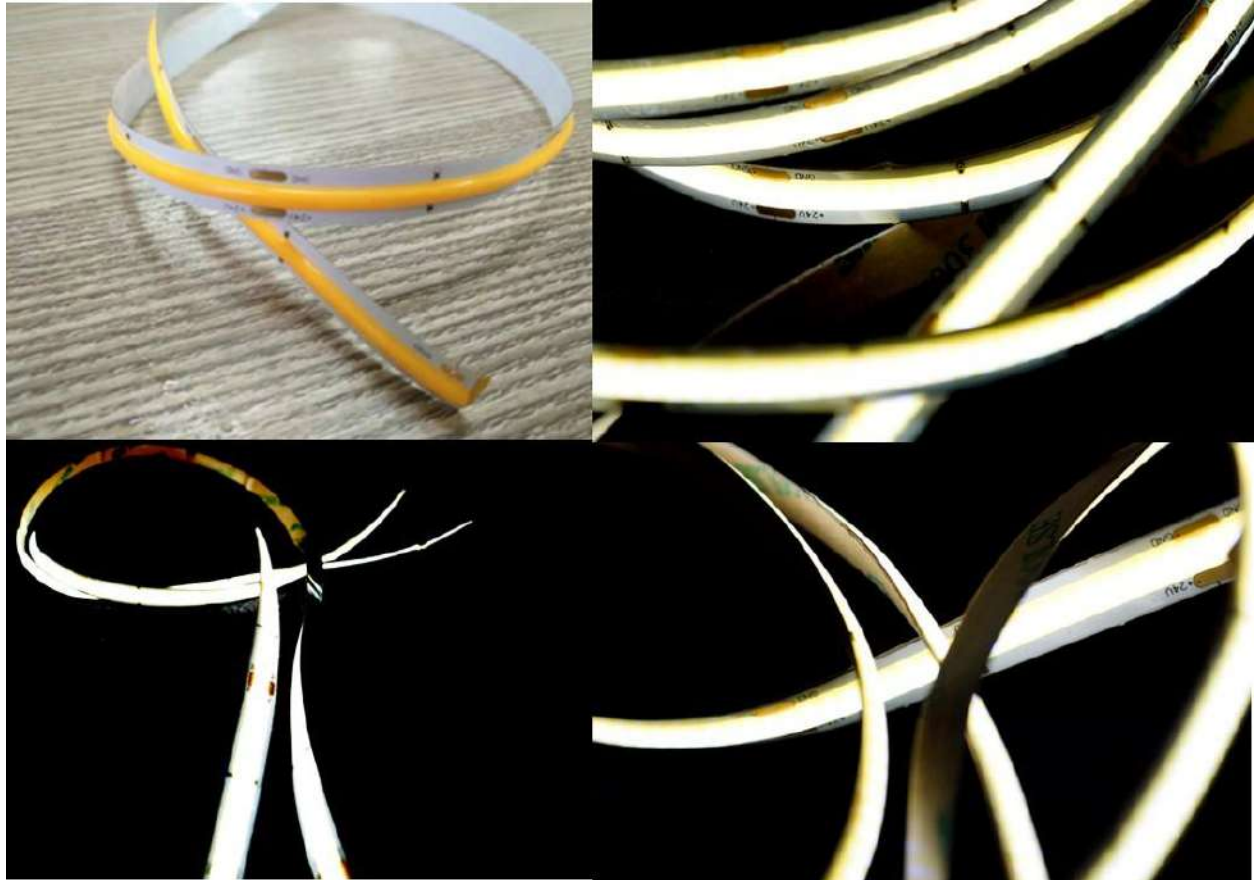




## Flexible COB Light Strip

*IP65, 197" , 12/24VDC, single color series*



### Features:

- UL listed (UL2108)
- IP65 rating
- No hotspots
- High lumen output (up to 1200lm/m)
- Wide viewing angle (150°)
- Storage Temperature: -20°C~75°C
- Operating Temperature: -20°C~60°C
- Humidity tolerance: 40-70% RH

### Application:

- Commercial building
- Residential building
- Entertainment lighting
- Hotels
- Signages



**Product Performance Parameters:**

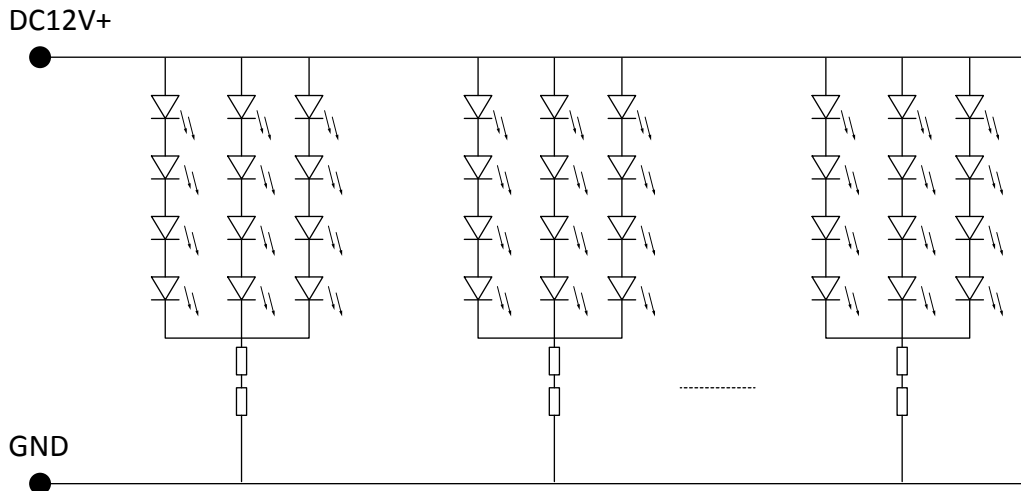
P/N	CCT/nm	CRI	Lumen output (lm/M)	Efficacy (lm/W)	Working voltage 12/24(V)/I <sub>F</sub> (A)	Rated Power (W/M)
AB-FO01227-19712-9A1	2700K	>90	840	70	DC12V/1.0A	12
AB-FO01230-19712-9A1	3000K	>90	912	76	DC12V/1.0A	12
AB-FO01240-19712-9A1	4000K	>90	1020	85	DC12V/1.0A	12
AB-FO01265-19712-9A1	6500K	>90	1080	90	DC12V/1.0A	12
AB-FO012RD-19712-XA1	520-530nm	n/a	240	20	DC12V/1.0A	12
AB-FO012GN-19712-XA1	625-635nm	n/a	756	63	DC12V/1.0A	12
AB-FO012BL-19712-XA1	460-470nm	n/a	192	16	DC12V/1.0A	12
AB-FO012AM-19712-XA1	590-595nm	n/a	636	50	DC12V/1.0A	12
AB-FO02427-19712-9A1	2700K	>90	840	70	DC24V/0.5A	12
AB-FO02430-19712-9A1	3000K	>90	912	76	DC24V/0.5A	12
AB-FO02440-19712-9A1	4000K	>90	1020	85	DC24V/0.5A	12
AB-FO02465-19712-9A1	6500K	>90	1080	90	DC24V/0.5A	12
AB-FO024RD-19712-XA1	520-530nm	n/a	240	20	DC24V/0.5A	12
AB-FO024GN-19712-XA1	625-635nm	n/a	756	63	DC24V/0.5A	12
AB-FO024BL-19712-XA1	460-470nm	n/a	192	16	DC24V/0.5A	12
AB-FO024AM-19712-XA1	590-595nm	n/a	636	53	DC24V/0.5A	12

Notes :

1. Luminous flux plus or minus 10% is allowed in the floating.
2. Maximum length current attenuation 15%.
3. Photometric standards are based on CIE eye sensitivity curve diagram test.

**Schematic diagram:**

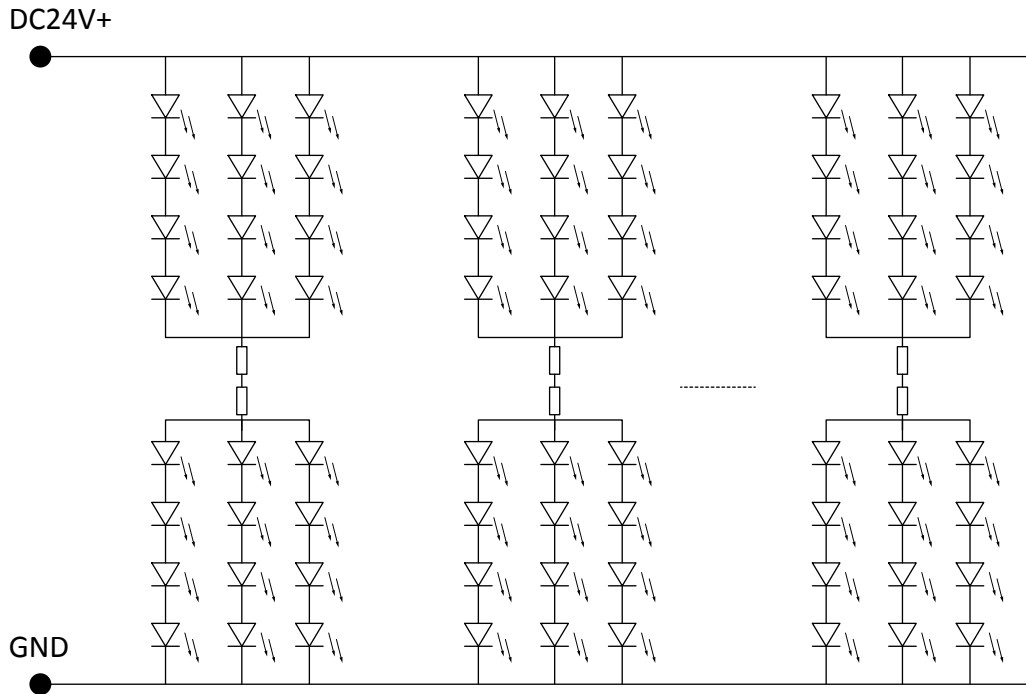
**Schematic:**





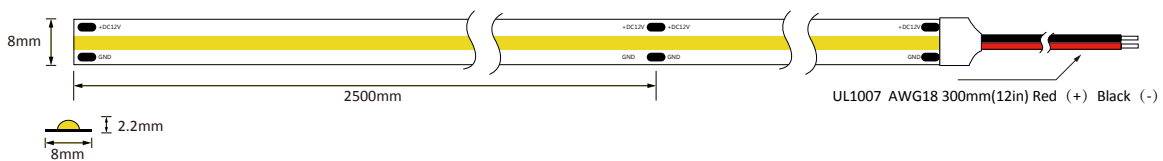
**Product Size Chart:**

**Schematic:  
(DC24V)**

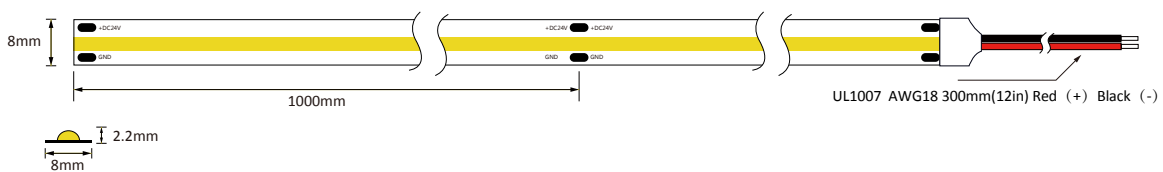


**Product size chart:**

**DC12V 480LED/M**



**DC24V 480LED/M**

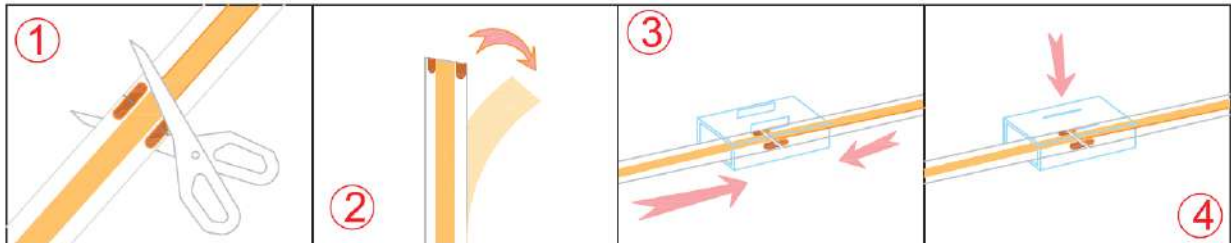


1. UNIT:MM(IN)
2. COLOR:WHITE
3. 3M 9495 double-sided tape on the back

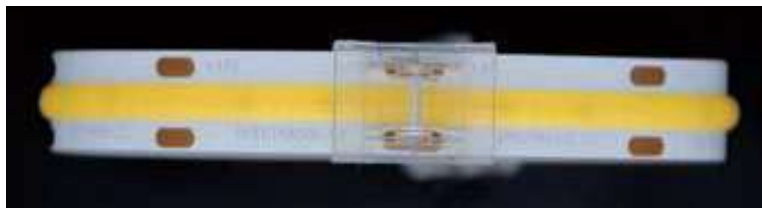


### Cutting and Connecting Instruction:

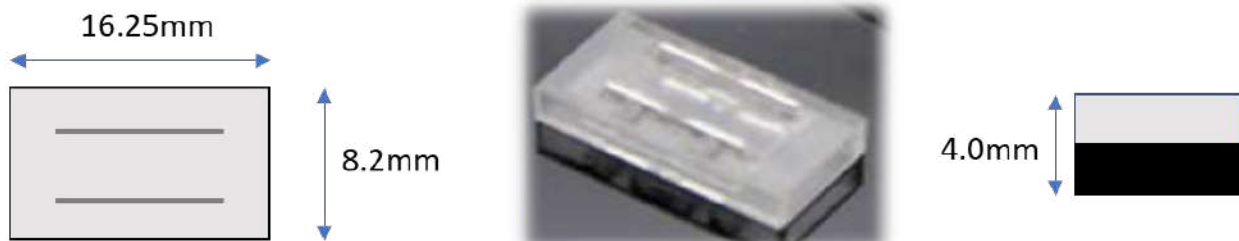
Please follow the below instruction if you want to elongate the COB light strip.



1. Field cut the light strip at everywhere with soldering pads.
2. Peel out the 3M adhesive tape
3. Put together the 2 light strips and the connector, AB-TSC-06-2
4. Make sure the connector fastens the lights



The dimension of the connector, AB-TSC-06-2:





**Maximum Flexibility Precaution:**

**NOTE:** DO NOT BEND TO A RADIUS OF LESS THAN 0.59 INCH

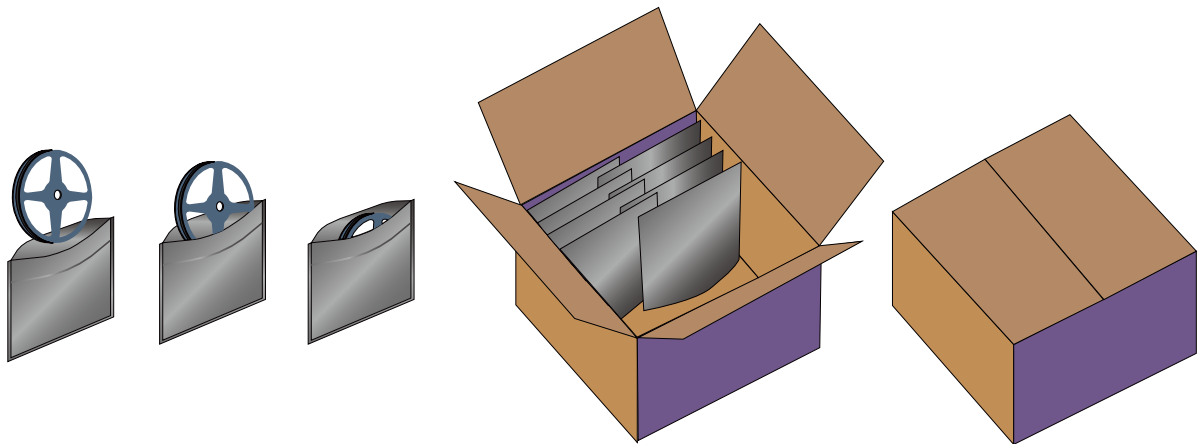
**NOTE:** SHARP BENDING ISN'T ALLOWABLE

**NOTE:** DO NOT AXIAL BEND TO THE HEIGHT OF MORE THAN 19.8mm WITHIN 0.78 INCH SEGMENT

**NOTE:** DO NOT HORIZONTAL BEND TO A RADIUS OF LESS THAN 18 INCH

**NOTE:** DO NOT TWIST MORE THAN 90° OVER THE LENGTH OF ONE 24v SEGMENT/ TWO 12V SEGMENTS (4" TOTAL LENGTH)

Product packaging



Unit length	Qty/ Box	Ret Weight/ Box	Gross Weight/ Box
197"	10	3.5kg (7.7bs)	4.0kg (8.8lbs)