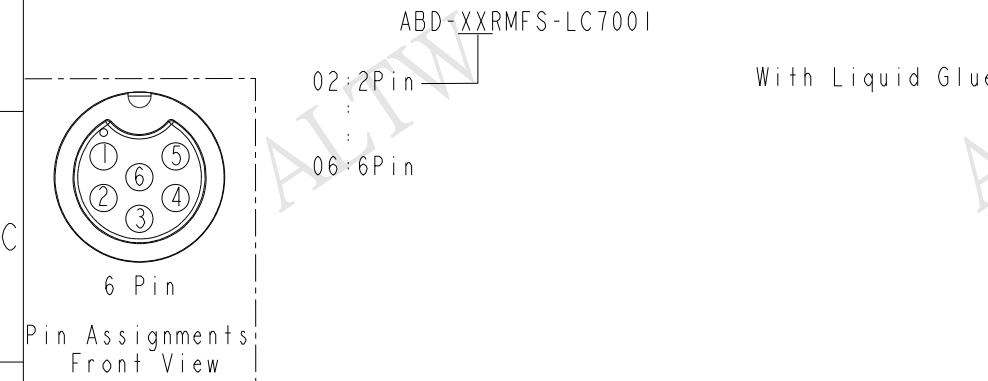
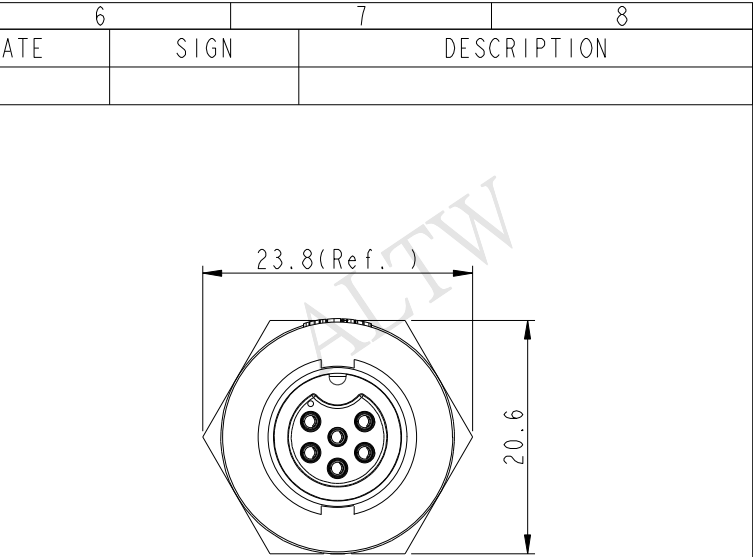
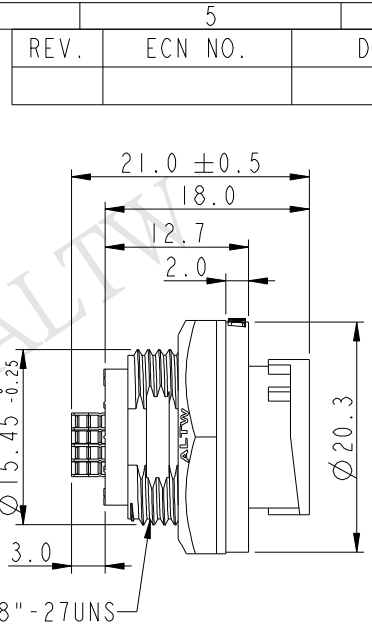
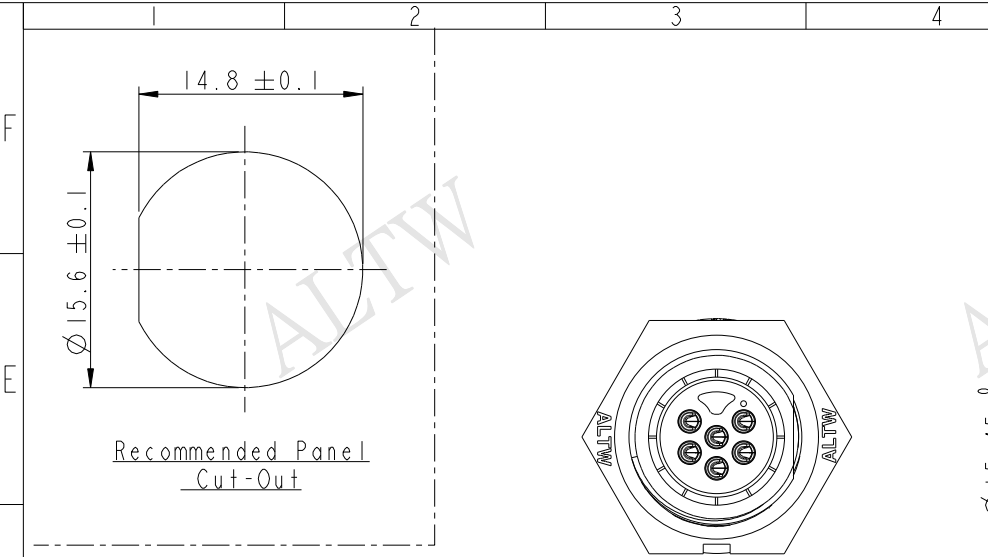
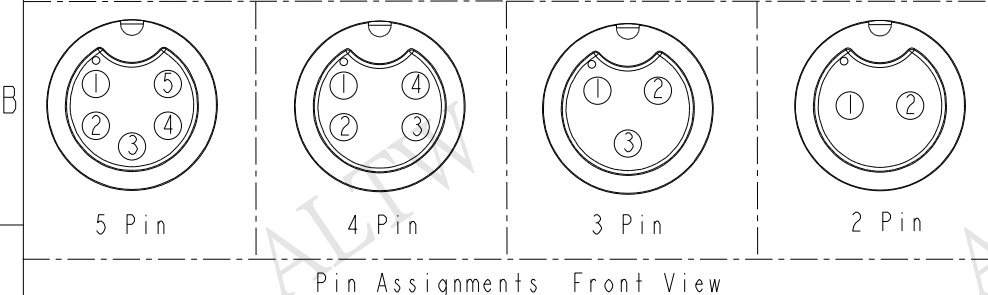
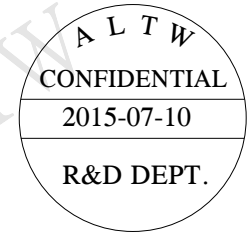
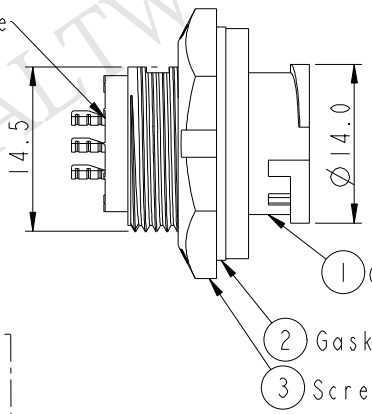


REV.	ECN NO.	DATE	SIGN	DESCRIPTION



With Liquid Glue



- Note:
- \*  $\varnothing$  Important Dimension To Check.
  - \* Waterproof Rate: IP67
  - \* Housing: Nylon+GF, Black
  - \* Female Pin: Copper Alloy, Gold Plated
  - \* Gasket: Silicone, Gray
  - \* Screw Nut: Nylon+GF, Black
  - \* Maximum Panel Thickness: 3.5mm

UNIT: mm			TITLE STANDARD PANEL LOCK M CONN F PIN
TOLERANCE .X ±0.25 .XX ±0.1 .XXX ±0.05 ANGLES ±1°	SCALE 2:1	SIZE A4	SHEET 1 OF 1
REV. A	WC-REV. A.2	QC: Inspection item	

**Amphenol LTW**  
安費諾亮泰企業股份有限公司

ITEM NO.	DRAWN BY Howard.Z	DATE 2015-07-10
DWG NO. ABD-XXRMFS-LC7001	CHECKED BY Jinhai	DATE 2015-07-10
CUSTOMER ALTW	APPROVED BY Jerry	DATE 2015-07-10

THIS DOCUMENT IS SUBJECT TO CHANGE WITHOUT NOTICE. IT IS CONFIDENTIAL AND A PROPERTY OF Amphenol LTW. DISCLOSURE TO THIRD PARTY HAS TO BE AUTHORIZED BY Amphenol LTW.