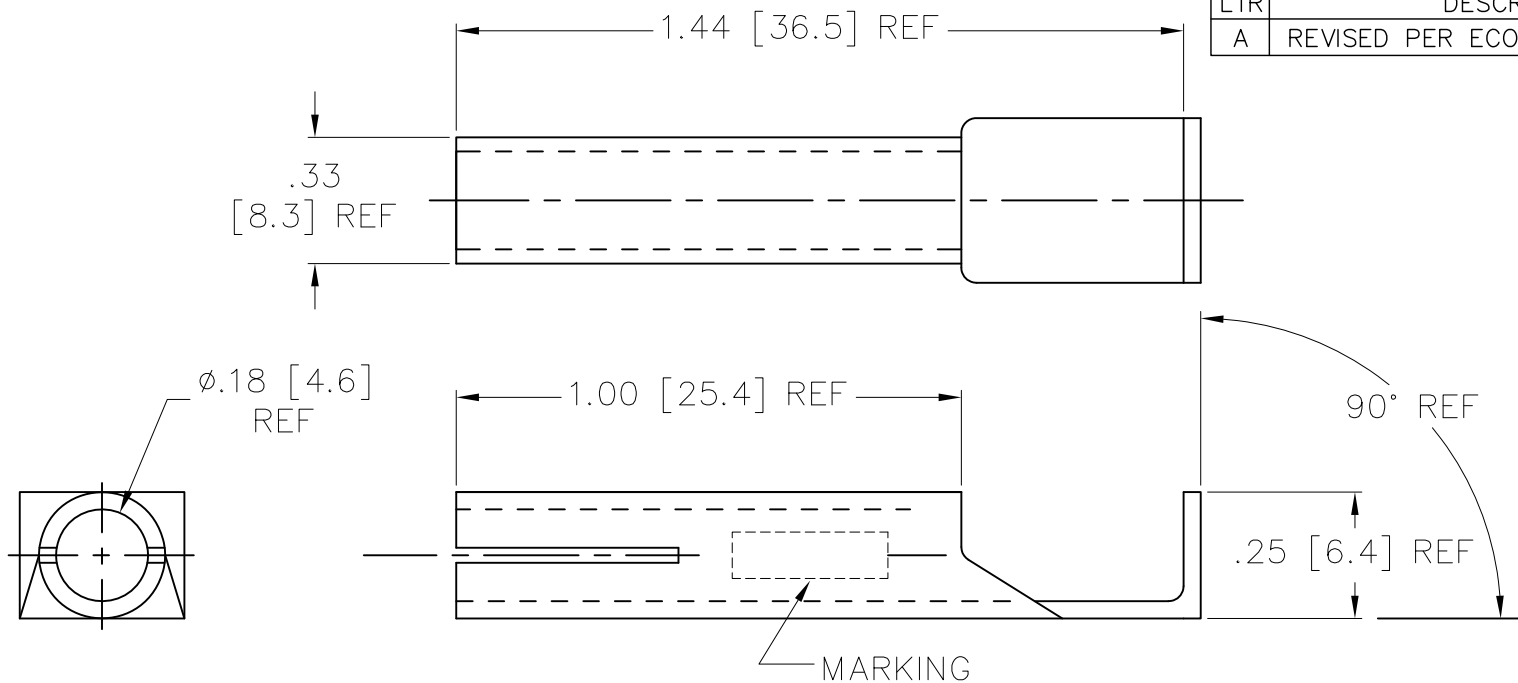


REVISIONS		
LTR	DESCRIPTION	DATE
A	REVISED PER ECO-10-016223	08/05/2010



ITEM	PART DESCRIPTION	DESCRIPTION	QTY	U/M
3	PLASTIC BAG	BAG, CLEAR (NOT SHOWN)	1	PC
2	AA-400-H50197	IDENTIFICATION LABEL (NOT SHOWN)	1	PC
1	AA-400-40-MINI-SOLD-TIP	MINI SOLDERSLLEEVE REFLECTOR	1	PC
PARTS LIST				

**NOTES**

1. ALL DIMENSIONS ARE IN INCHES [MILLIMETERS]
2. REFLECTOR MATERIAL: 302 CRES PER MIL-S-5059  
FINISH: PASSIVATE PER SAE AMS 2700

If this document is printed it becomes uncontrolled. Check for the latest revision

UNLESS OTHERWISE SPECIFIED DIMENSIONS ARE INCHES. METRIC DIMENSIONS ARE IN BRACKETS. DECIMAL TOLERANCES .XXX ± 0.005 [0.13 mm] .XX ± 0.01 [0.25 mm] .X ± 0.1 [0.50 mm] ANGLE TOLERANCE .X ± 1 DEG.		DRAWN UNGUYEN		 Rochem Application Equipment 305 Constitution Dr Menlo Park, CA 94025	
TYCO ELECTRONICS RESERVES THE RIGHT TO AMEND THIS DRAWING AT ANY TIME. USERS SHOULD EVALUATE THE SUITABILITY OF THE PRODUCT FOR THEIR APPLICATION.		RPN 979663-000			
THIRD ANGLE PROJECTION		TITLE MINI SOLDERSLLEEVE REFLECTOR		SIZE B	
© 2010 Tyco Electronics Corporation. All rights reserved.		CODE IDENT. NO. 06090		DWG. NO. AA-400-102-MINI-SOLD-TIP	
		DO NOT SCALE THIS DRAWING		SHEET 1 OF 1	

SUPERSEDED NOT the LATEST REVISION