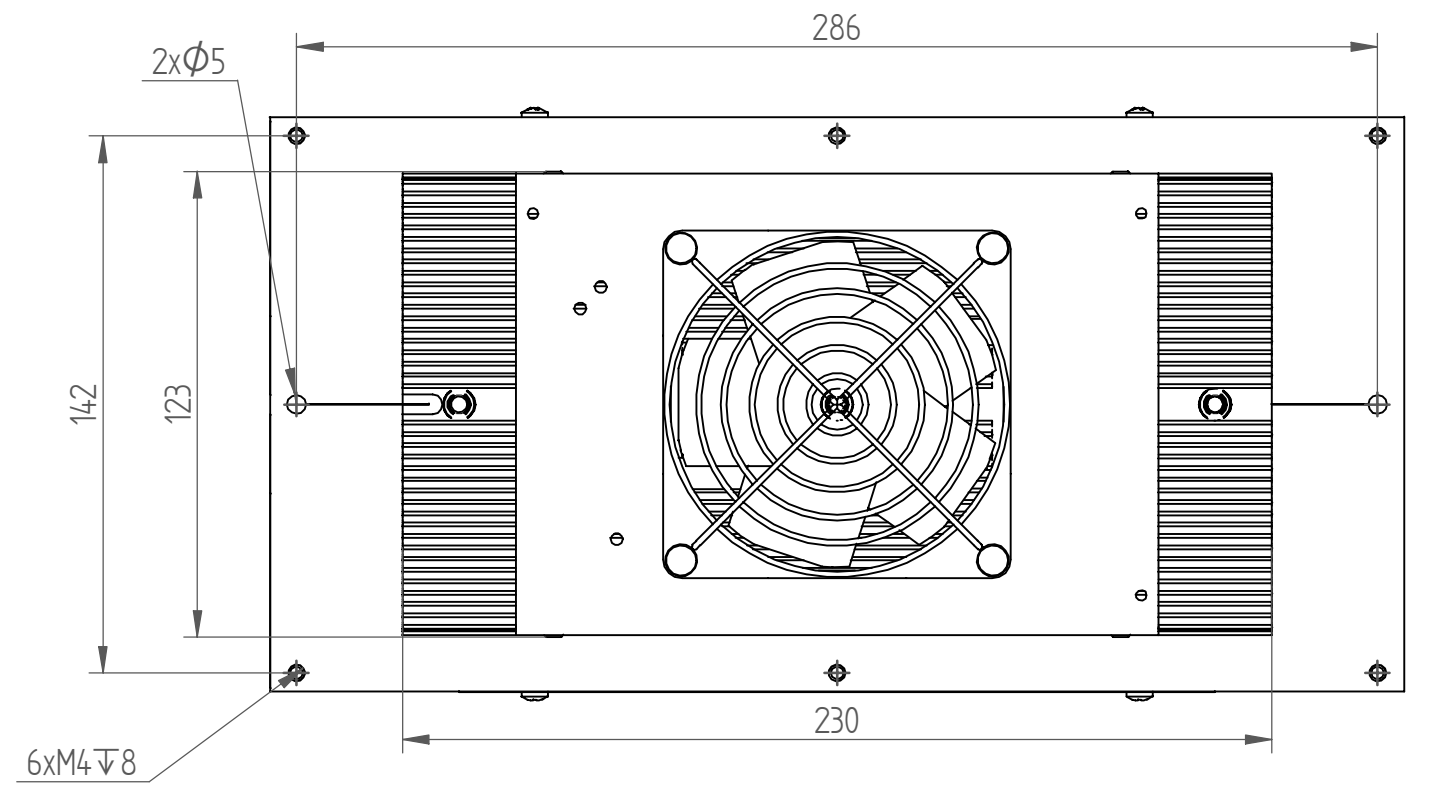

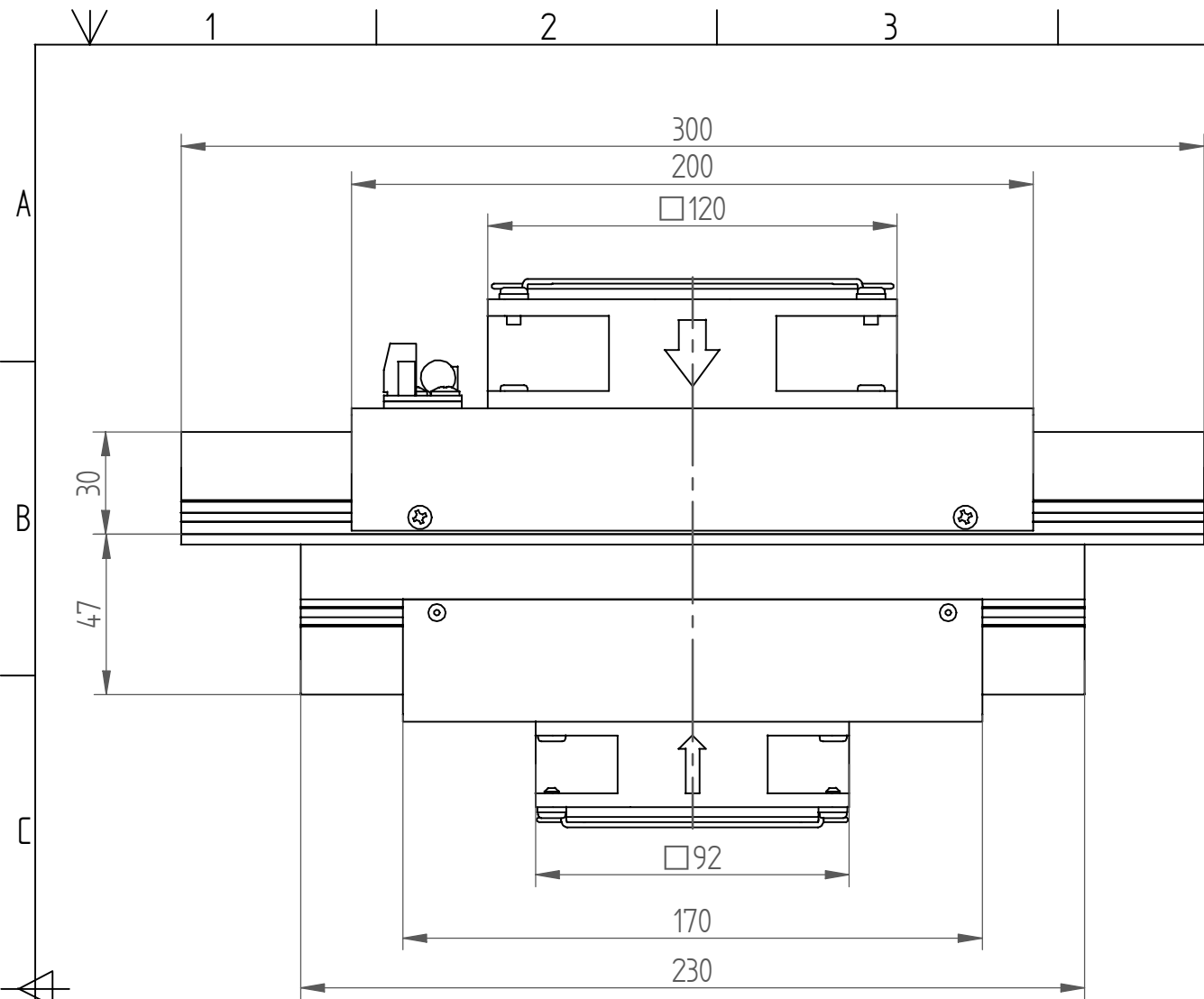


Specification: (Ta=32°C)	Code:	Description:
Heat transfer, cold side:	A	Air
Heat transfer, warm side:	A	Air
Cascade:	-	
Cooling power: [W]	100	102 W at dT=0°C. Tolerance: ±10%.
Voltage, nominal: [VDC]	24	24 VDC.
TEM Voltage: [VDC]		Nominal: 24 VDC, Max: 30 VDC.
TEM Current: [A]		Nominal: 5.6 A, Initial: 6.6 A. All at dT=0°C. Tolerance: ±10%.
Fan(s), cold side:	2	MTBF: 50,000 hrs. L10 at 25°C. Nominal current: 0.15 A. Voltage: 24 VDC ±10%.
Fan(s), warm side:	2	MTBF: 50,000 hrs. L10 at 25°C. Nominal current: 0.25 A. Voltage: 24 VDC ±10%.
Temperature controller, sensor:	0	None.
Temperature control settings, trim options:	0	-
Additional controller information:		-
Temperature control position:	0	-
Options:	0	-
Weight:		4.0 kg
Overheating thermostat:		75°C ±5°C on hot side heat sink surface.
Operating temperature:		-10°C to +50°C at nominal voltage.
TE-Module(s) temperature specification:		Max surface temperature: 80°C.
Enclosed:		-
Packing:		Individual cardboard box.

Mounting hole print: 125x232

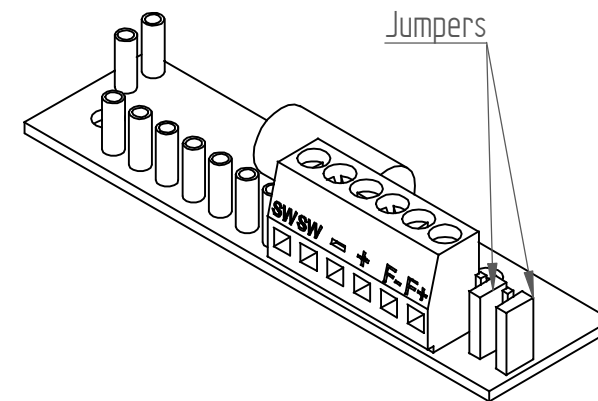
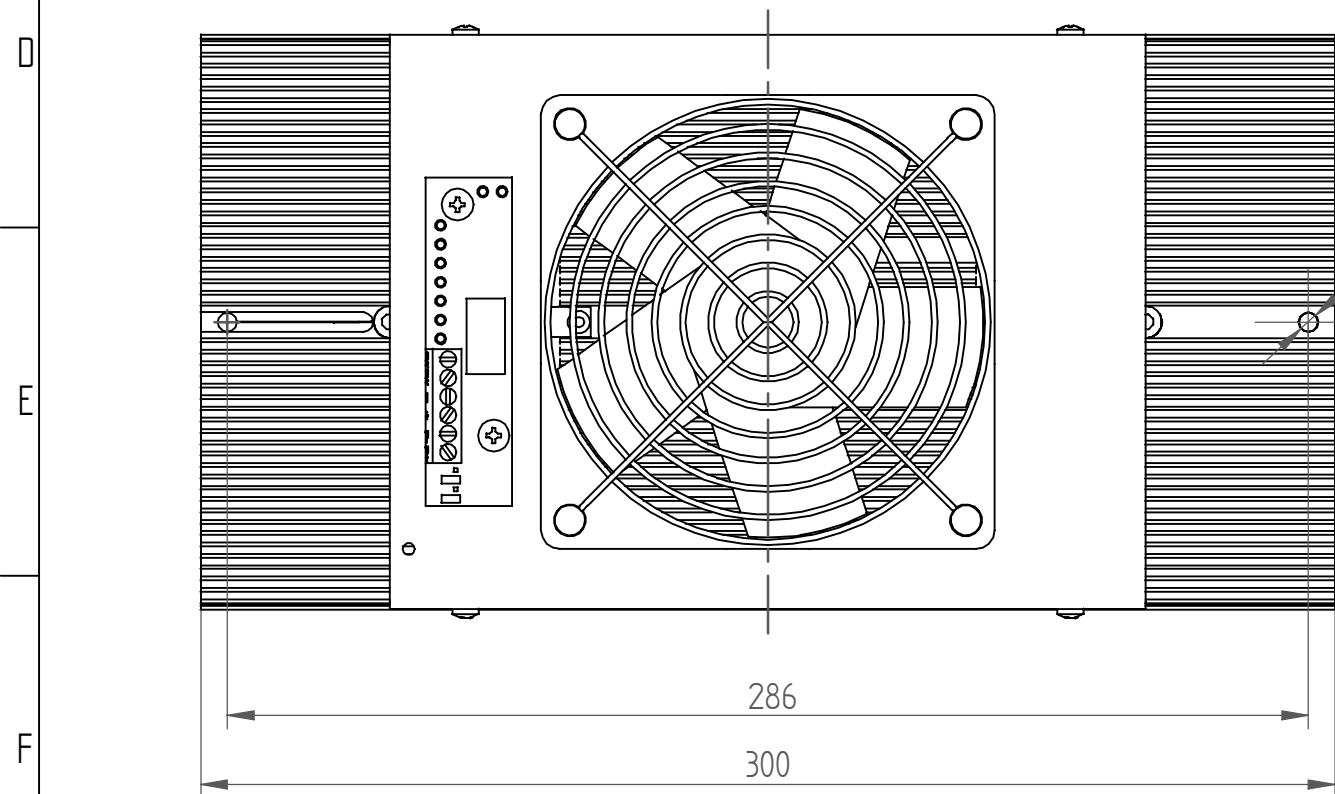
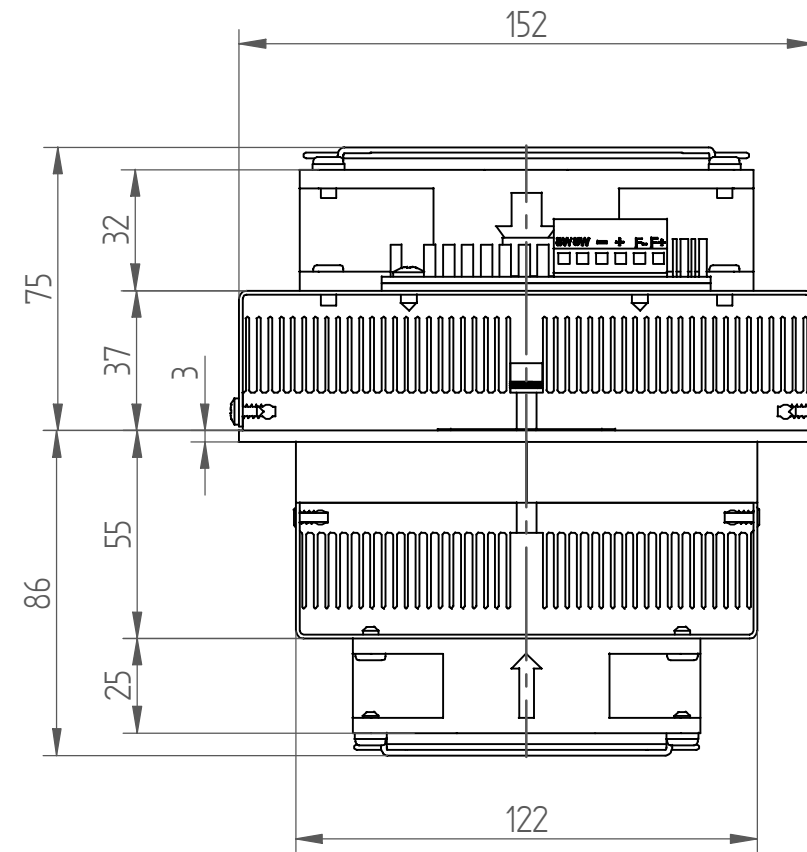


Comments / deviations: Heat sinks and, if applicable, D-plates and shrouds in anodised aluminium.		General tolerances: SS-ISO 2768-1 c	
Designed by: Pavel Cech	Approved by: Hans Lindberg	Release date: 20041028	Customer: Supercool AB
 Supercool AB Box 27, S-40120 Göteborg, Sweden tfn: +46 31 420530, fax: +46 31 247909 e-mail: info@supercool.se Web: www.supercool.se		Title: TE ASSEMBLY 24VDC AIR - AIR	
		Part nr: AA-100-24-22-00-00	Rev. nr: 3
		Size, sheet A3, 1(3)	



WARM SIDE

COLD SIDE




Electrical connections:

- "+" : + TEM
- "-" : - TEM
- "F+" : + Fan(s)
- "F-" : - Fan(s)

To use single supply:
Lift the jumpers and rotate 90° to short-cut the pin pairs.
Connect the unit to "+" & "-".

Warning: Single supply not applicable in heating mode or with PWM-regulation.

Comments / deviations: Heat sinks and, if applicable, D-plates and shrouds in anodised aluminium.		General tolerances: SS-ISO 2768-1 c	
Designed by: Pavel Cech	Approved by: Hans Lindberg	Release date: 20041028	Customer: Supercool AB
 <p>Supercool AB Box 27, S-40120 Göteborg, Sweden tfn: +46 31 420530, fax: +46 31 247909 e-mail: info@supercool.se Web: www.supercool.se</p>		Title: TE ASSEMBLY 24VDC AIR - AIR	
		Part nr: AA-100-24-22-00-00	Rev. nr: 3
		Size, sheet A3, 2(3)	