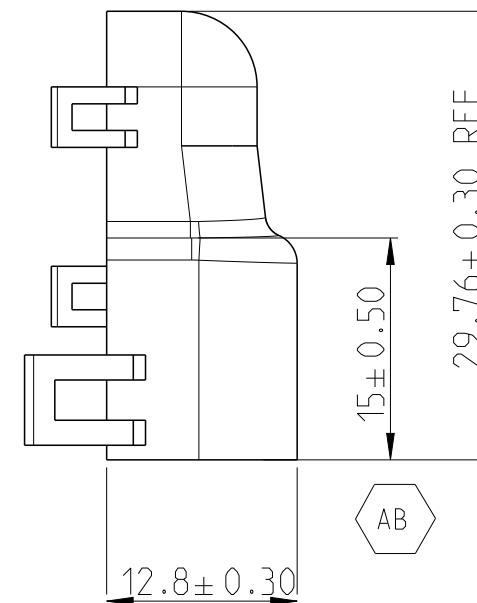
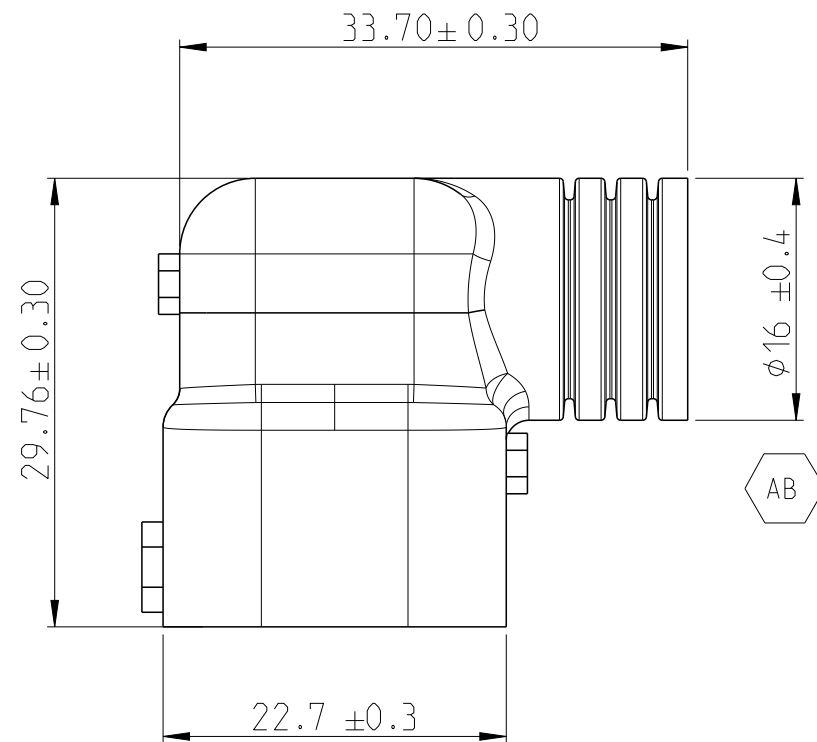
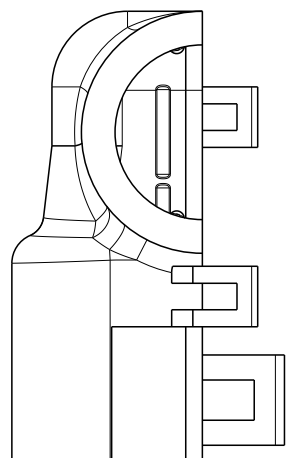
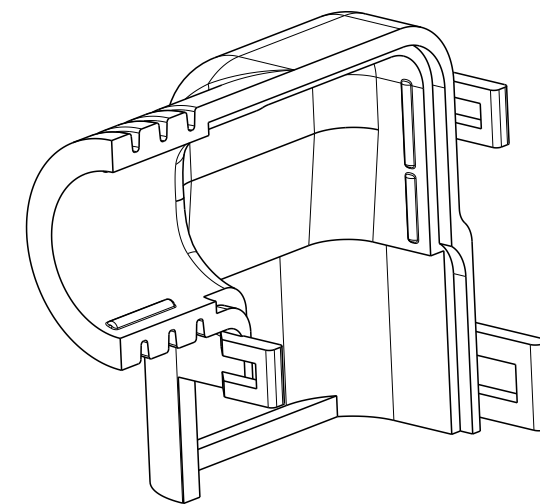


REVISIONS

P	LTR	DESCRIPTION	DATE	DWN	APVD
	1	INITIAL RELEASE	07FEB2001	NDL	-
	AB	REVISED PER PCN E-20-007701	07MAY2020	CK	GL



3D ISO VIEW



SCALE 2:1

TOLERANCES UNLESS OTHERWISE SPECIFIED ACC. TO DIN 16901-140 CENTRIC TO NOMINAL DIMENSION. EDITION 1982-11 SHALL APPLY. Freimastoleranzen nach DIN 16901-140. Es gilt die Ausgabe 1982-11.		DWN 07MAY2020 CHANDRAKANTH	
THIS DRAWING IS A CONTROLLED DOCUMENT.		CHK 07MAY2020 SHAMANTH B S	
APVD 07MAY2020 G. LINDEMANN		NAME	
PRODUCT SPEC		BACKSHELL A90-DTP04 ENVELOPE DETAILS	
APPLICATION SPEC		-	
WEIGHT		-	
CUSTOMER DRAWING		SCALE 2:1	

DIMENSIONS:		TOLERANCES UNLESS OTHERWISE SPECIFIED:	
mm		-	
0 PLC		±	
1 PLC		±	
2 PLC		±	
3 PLC		±	
4 PLC		±	
ANGLES		±	
MATERIAL		FINISH	
-		-	

STE TE Connectivity		RESTRICTED TO	
SIZE	CAGE CODE	DRAWING NO	
A3	00779	©-D429556-ENV	-
SHEET 1 OF 1		REV AB	