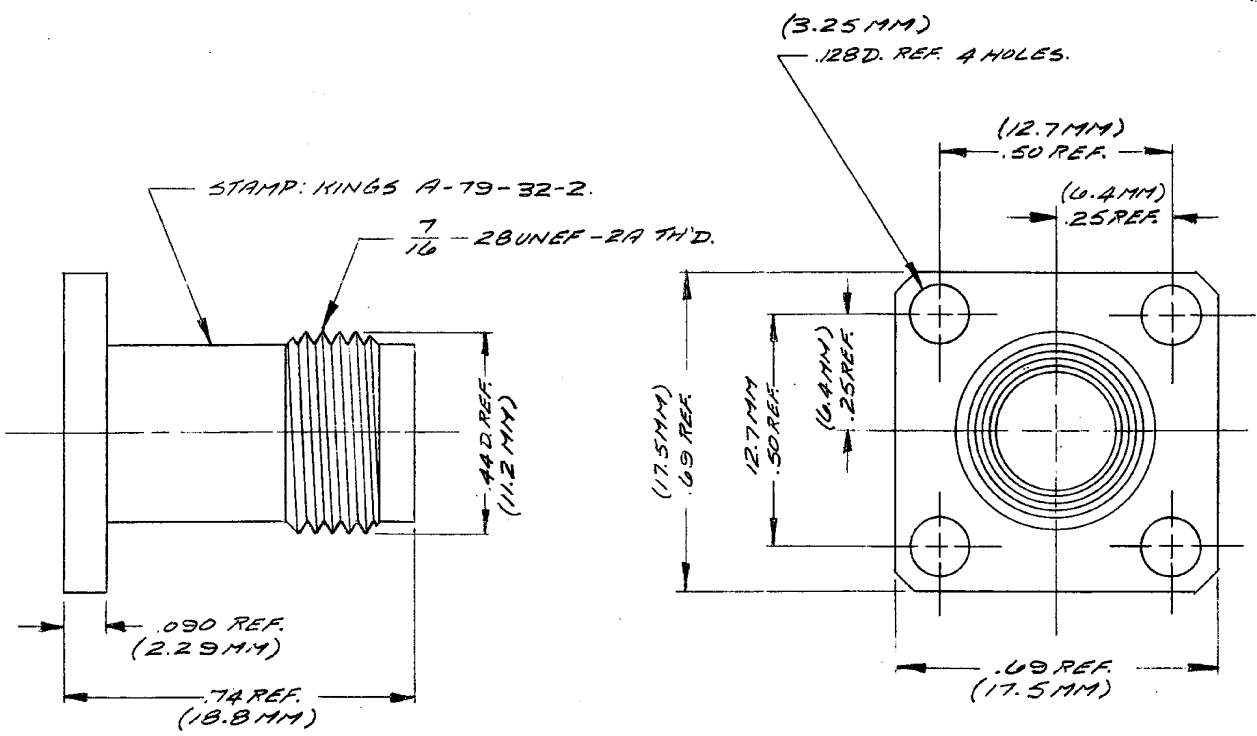


GSD

A-79-32-2



- NOTES:
1. MATERIAL: BRASS, QQ-B-626.
  2. FINISH: SILVER PLT PER, QQ-S-365.

UNLESS OTHERWISE SPECIFIED:

1. TOLERANCES: FRACTIONS & 2 PLACE DECIMALS ± .010	2. REMOVE ALL BURRS, BREAK SHARP EDGES .005 MAX.
3 PLACE DECIMALS ± .004	3. NO FILLETS PERMITTED.
T. I. R. CONCENTRICITY OF ANY 2 DIAMETERS MAY NOT EXCEED HALF THE SUM OF THEIR TOLERANCES.	4. SURFACE ROUGHNESS 63 MICRONS RMS MAX.
	5. ALL DIMENSIONS PRIOR TO PLATING.
	6. ALL PLATING IN ACCORDANCE WITH KER 10004.

REVISIONS	
ISSUE	CHANGES
5.	CN 2455A 2 GJG 10 MAY 83
6	CN 39137 E TML 08/25/04

SCALE 4:1	
APPROX. SURFACE AREA	
USED ON	
REF. MCDONNELL DOUGLAS STEM 1417-001 REV. L	
TNC DUMMY RECEPTACLE (F)	
DRAWN CT	DATE 16 OCT 80
APPR. MJB	DATE 17 OCT 80
APPR.	DATE
A-79-32-2	

GSD