

A2

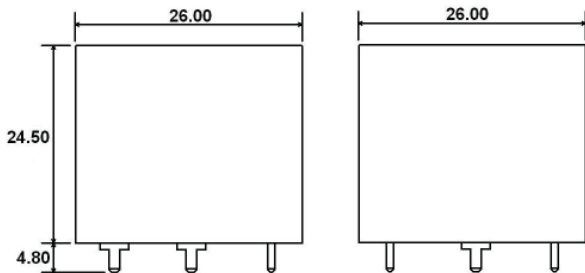
Ordering Information

| | | | | | | |
|--|----|----|---|---|-------|-----|
| 1. Series | A2 | 1C | S | Q | 12VDC | 1.6 |
| A2 standard A2F with mounting flange A2M with metal bracket A2S with metal bracket and shroud | | | | | | |
| 2. Contact Arrangement 1A = SPST N.O. 1B = SPST N.C. 1C = SPDT 1U = SPST N.O. (2 terminals) | | | | | | |
| 3. Sealing Option S = Sealed C = Dust Cover *not available with A2S | | | | | | |
| 4. Termination P = PCB Pins *not available with A2S Q = Quick Connect | | | | | | |
| 5. Coil Voltage 6VDC 12VDC 24VDC | | | | | | |
| 6. Coil Power 1.6 = 1.6W 1.9 = 1.9W | | | | | | |
| 7. Coil Suppression Blank = Standard D = Diode (1N4005) Cathode on "86" terminal D1 = Diode (1N4004) Cathode on "86" terminal R = Resistor (180Ω for 6VDC; 680Ω for 12VDC; 2700Ω for 24VDC) 2D = 2 Diodes (1N4005) DR = Diode & Resistor Cathode on "86" terminal (1N4005 & 180Ω for 6VDC; 680Ω for 12VDC; 2700Ω for 24VDC) ** Consult factory if other values are needed | | | | | | |

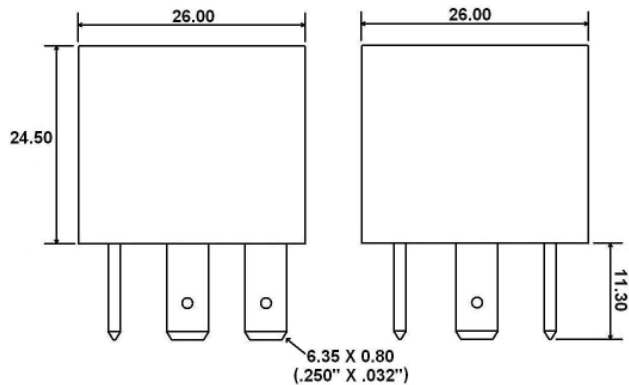
Dimensions shown in mm. Dimensions are shown for reference purposes only.

Dimensions

Units = mm



A2 with PC Pins

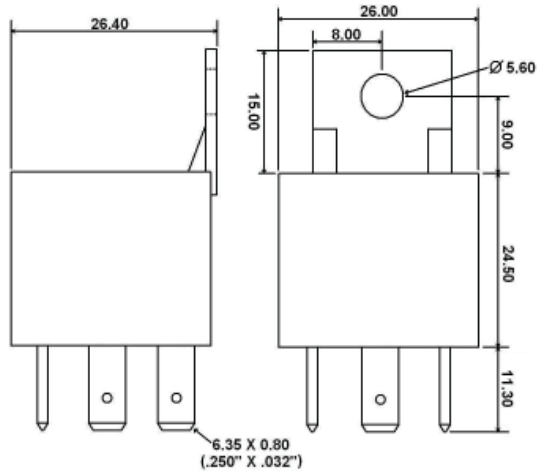


A2 with Quick Connects

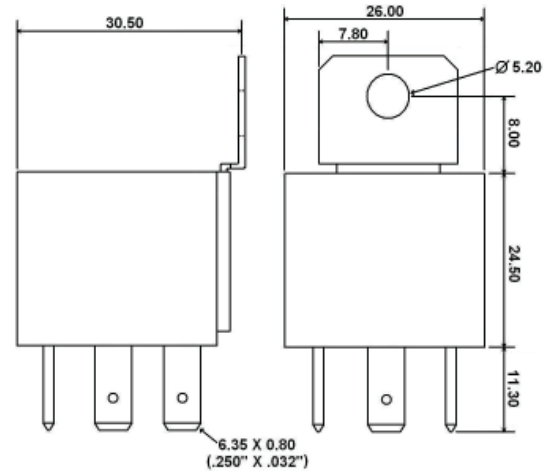
Specifications and availability subject to change without notice.

Dimensions

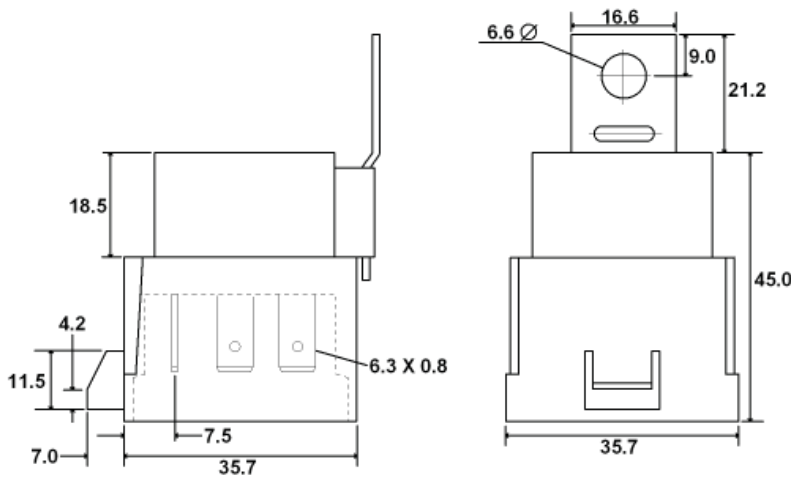
Units = mm



A2F with Quick Connect



A2M with Quick Connects



A2S with Quick Connects

Schematics, PC Pin Dimensions & PC Layouts

Bottom Views

