



ebm-papst Mulfingen GmbH & Co. KG
 Bachmühle 2
 D-74673 Mulfingen
 Phone: +49(0)7938/81-0
 Fax: +49(0)7938/81-110
 info1@de.ebmpapst.com
 www.ebmpapst.com

Nominal data

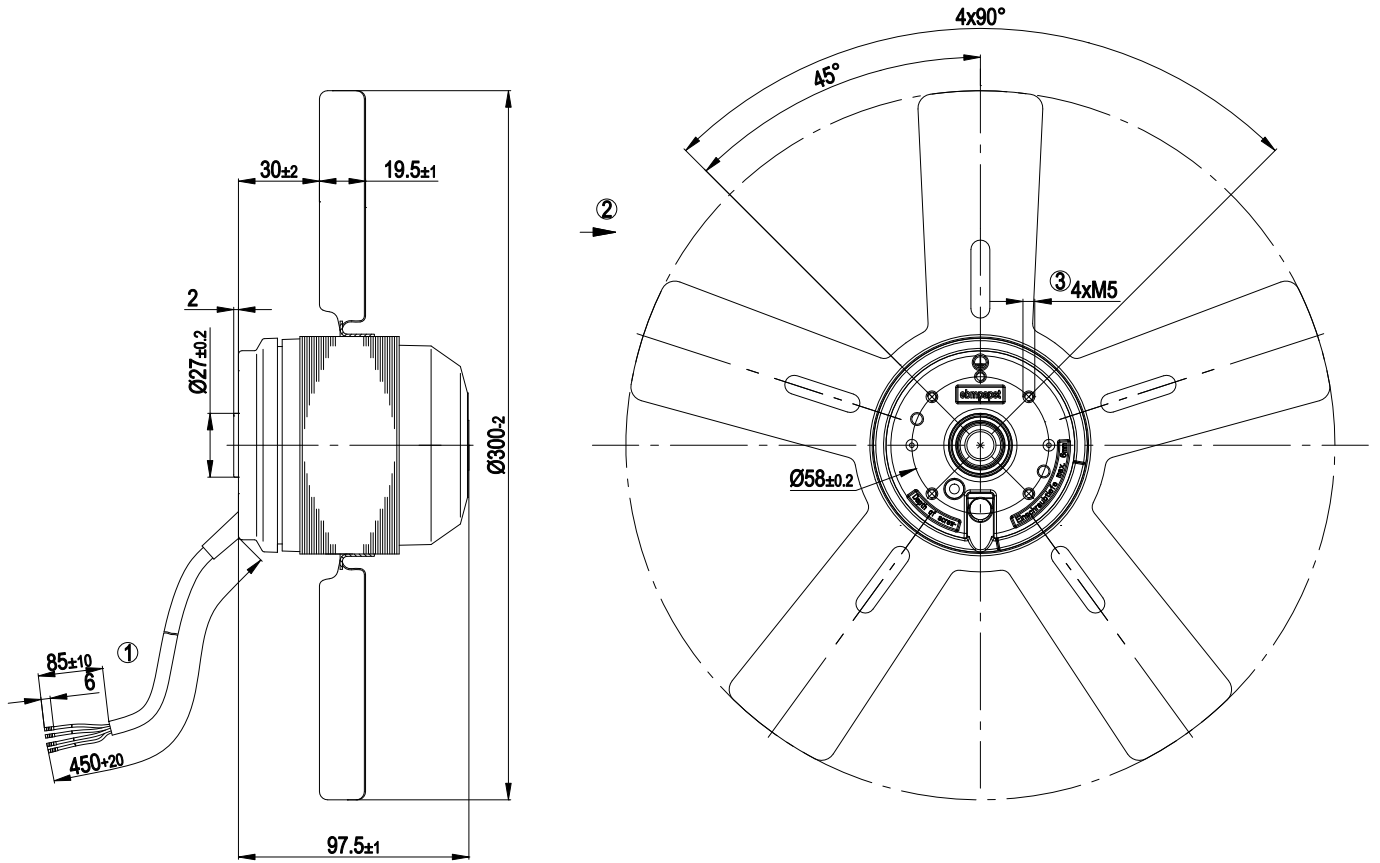
Type	A2E300-AC47-02				
Motor	M2E068-EC				
Phase		1~	1~	1~	1~
Nominal voltage	[V]	230	230	230	230
Frequency	[Hz]	50	60	60	60
Type of data definition		rfa	rfa	rfa	rfa
Valid for approval / standard		CE	UL	CSA	CE
Speed	[min ⁻¹]	2650	2900	2900	2900
Power input	[W]	140	200	200	190
Current draw	[A]	0.62	0.88	0.88	0.83
Motor capacitor	[μF]	5	5	5	5
Capacitor voltage	[VDB]	400	400	400	400
Capacitor standard			P0 (CE)	UL	
Max. back pressure	[Pa]	150	150	150	150
Max. ambient temperature	[°C]	55	50	50	50

ml = max. load · me = max. efficiency · rfa = running at free air · cs = customer specs · cu = customer unit
 Subject to alterations

Technical features

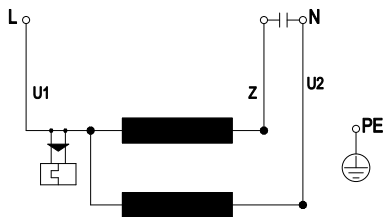
Leakage current	< 0.75 mA
Size	300 mm
Operation mode	S1
Direction of rotation	Clockwise, seen on rotor
Mounting position	Shaft horizontal or rotor on bottom; rotor on top on request
Humidity class	F1-2
Direction of air flow	"A"
Insulation class	"B"
Cable exit	Variable
Condensate discharge holes	Rotor-side
Bearing motor	Ball bearing
Mass	2.5 kg
Material of impeller	Sheet steel, coated in black
Motor protection	Thermal overload protector (TOP) wired internally
Product conforming to standard	CE; EN 60335-1
Surface of rotor	Coated in black
Number of blades	5
Type of protection	IP 44
Protection class	I
Max. permissible ambient motor temp. (transp./ storage)	+ 80 °C
Min. permissible ambient motor temp. (transp./storage)	- 40 °C
Approval	CCC; GOST

Product drawing



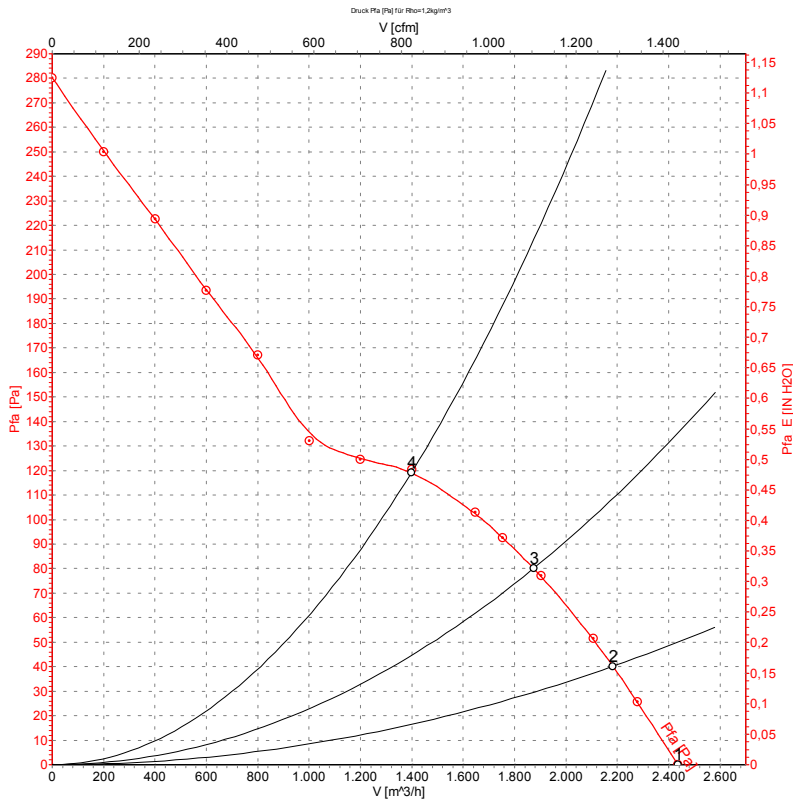
- 1 Connection line PVC 4G 0.5 mm², 4x brass lead tips crimped
- 2 Direction of air flow "A"

Connection screen



U1	blue	Z	brown	U2	black
PE	green/yellow				

Charts: Air flow 50 Hz

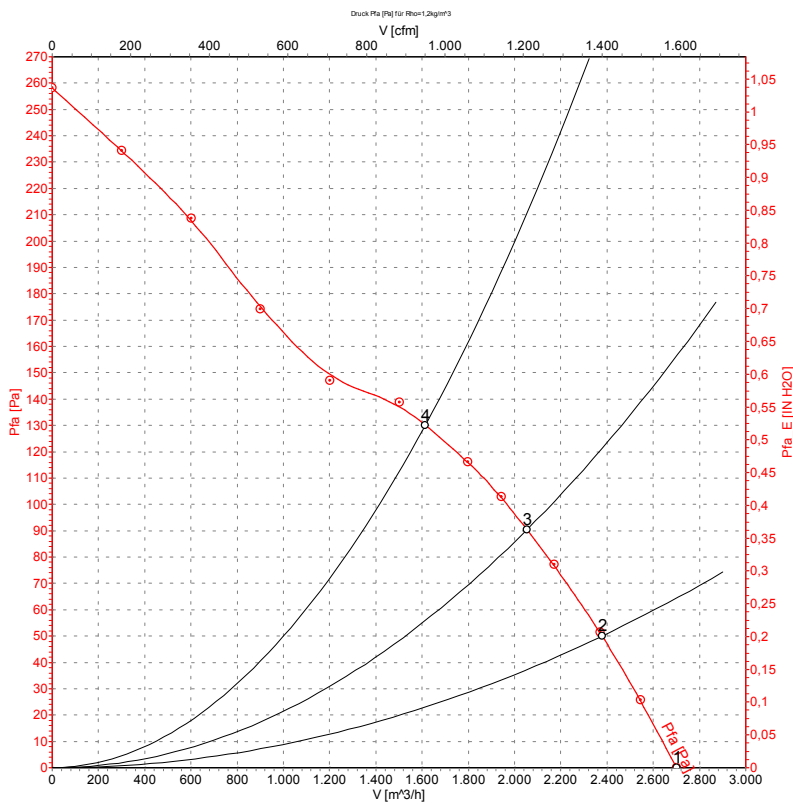


Measurement: LU-66600

Measured values

	U	f	n	P ₁	I	Ŷ	P _{fa}
	[V]	[Hz]	[min ⁻¹]	[W]	[A]	[m³/h]	[Pa]
1	230	50	2650	140	0.62	2435	0
2	230	50	2615	151	0.66	2185	40
3	230	50	2580	158	0.69	1875	80
4	230	50	2560	162	0.71	1400	120

Charts: Air flow 60 Hz



Measurement: LU-66601

Measured values

	U	f	n	P ₁	I	\hat{V}	P _{fa}
	[V]	[Hz]	[min ⁻¹]	[W]	[A]	[m³/h]	[Pa]
1	230	60	2900	190	0.83	2700	0
2	230	60	2865	205	0.90	2380	50
3	230	60	2805	213	0.93	2055	90
4	230	60	2755	218	0.95	1615	130