

FEATURES

UL CONTACT LOAD RATINGS TABLE



MECHANICALLY
INTERLOCKED

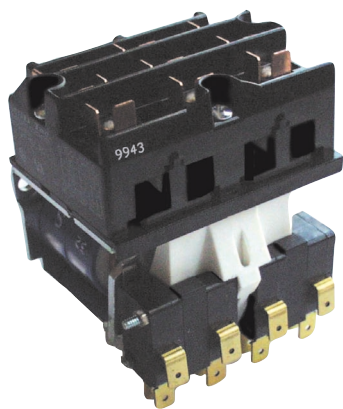
UP TO 3 POLE SWITCHING

INDEPENDENT FORWARD /
REVERSE COILS

5 AMP AUXILIARY
SWITCH AVAILABLE

LOAD VOLTAGE	PHASE	MOTOR LOAD	RESISTIVE LOAD
120 VAC	1-2-3	1 HP	15 AMPS
240 VAC	1	1.5 HP	10 AMPS
240 VAC	2-3	3 HP	10 AMPS
480/600 VAC	2-3	3 HP	5 AMPS
30 VDC	-	-	15 AMPS
125 VDC	-	-	5 AMPS

NOTE: AC CONTACTS RATED WITH ALL CONTACTS IN USE, NOT RATED PER POLE.



THE SERIES A275 IS A COMPACT, 2-COIL, MECHANICALLY INTERLOCKED MOTOR REVERSING CONTACTOR.

APPLICATIONS INCLUDE:

INDUSTRIAL DOOR OPERATORS, ELECTRIC HOISTS AND ELECTRONIC WHEEL BALANCING.

THE A275 HAS 1/4" QUICK CONNECT TERMINALS ON THE COILS, CONTACTS AND AUXILIARY SWITCHES.

THE MECHANICAL INTERLOCK WILL NOT JAM, EVEN IF BOTH COILS ARE SIMULTANEOUSLY ENERGIZED.

GENERAL SPECIFICATIONS

COIL

Pull-in Voltage:	85% of nominal voltage or less for AC coils 80% of nominal voltage or less for DC coils,
Dropout Voltage:	10% of nominal voltage or more @ 25°C
Max. Allowed Voltage:	110%
Coil Resistance:	±10% @ 25°C
Duty:	Continuous

CONTACTS

Contact Material:	Silver alloy
-------------------	--------------

TIMING

Operate Time:	50 mS Max. @ nominal voltage
Release Time:	30 mS Max. @ nominal voltage

DIELECTRIC STRENGTH

All Mutually Insulated Points:	2500 V rms to ground
Insulation Resistance:	1000 megohms @ 500 VDC minimum

TEMPERATURE

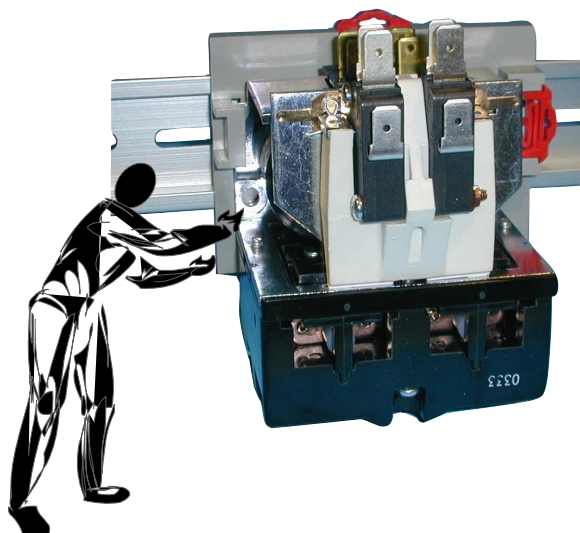
Temperature Rating:	AC: -45°C to +50°C @ rated operation DC: -45°C to +70°C @ rated operation
---------------------	--

LIFE EXPECTANCY

Mechanical:	2,000,000 operations @ no load 100,000 operations @ rated load
Electrical:	500,000 operations @ 1/2 rated load

MISCELLANEOUS

Weight:	1 pound (455 g) approx.
---------	-------------------------



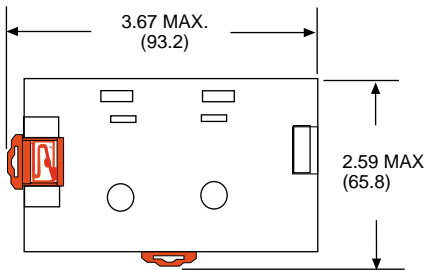
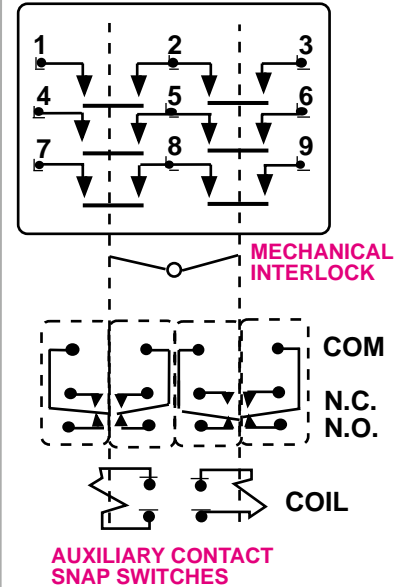
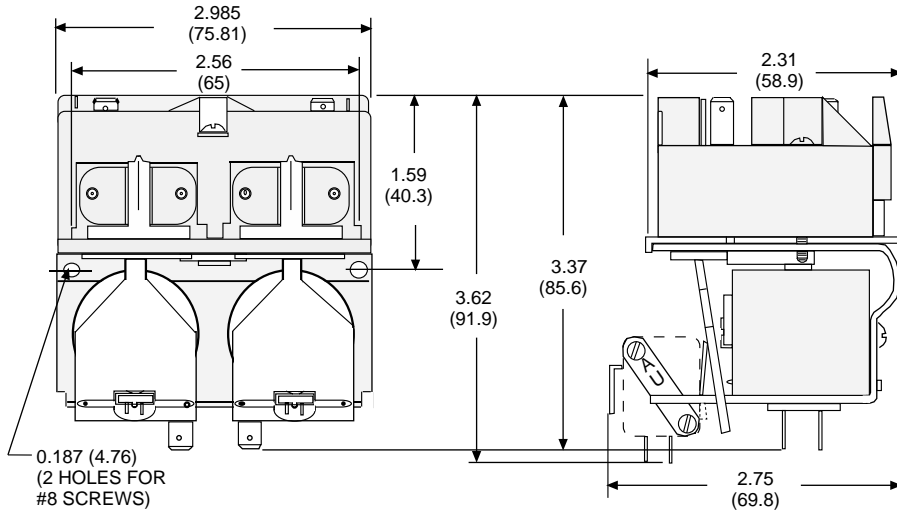
A275 MOTOR REVERSING CONTACTOR



UP TO 3 HP, 15 AMPS

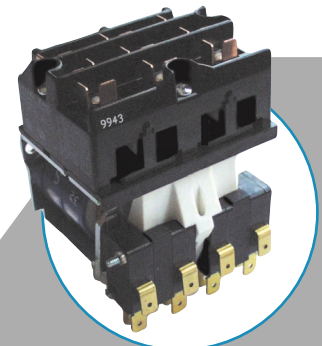
WIRING DIAGRAM
(VIEWED FROM PIN END)

OUTLINE DIMENSIONS
DIMENSIONS SHOWN IN INCHES & (MILLIMETERS).



OPTIONAL DIN ADAPTER
16-275DIN-1

ORDERED AND SHIPPED SEPARATELY



ORDERING CODE

A275

KXX

90

-24A

CLASS: 3 POLE CONTACTOR

CONTACT ARRANGEMENTS: KXX (3PDM-NO., PER COIL)

OPTIONS:

- LEAVE BLANK - STANDARD CONTACTOR
- 2 AUX. CONTACTS, EACH SPDT (1 PER COIL) 0.250 QUICK CONNECT TERMINALS - **CODE 90**
- 4 AUX. CONTACTS, EACH SPDT (2 PER COIL) 0.250 QUICK CCONNECT TERMINALS - **CODE 91**
- RECTIFIED COIL - **CODE V2**

COIL VOLTAGE: 24 & 120 ADD "A" FOR AC COILS
24 ADD "D" FOR DC COILS

Other coil voltages available, contact factory for special requirements.

STANDARD PART NUMBERS	COIL MEASURED @ 25°C	
	NOMINAL INPUT VOLTAGE	NOMINAL RESISTANCE (OHMS)
AC OPERATED		
A275KXX-24A	24 / 24 VAC	4.8 Ω
A275KXX-120A	120 / 120 VAC	125 Ω
A275KXX90-24A	24 / 24 VAC	4.8 Ω
A275KXX90-120A	120 / 120 VAC	125 Ω
A275KXX91-24A	24 / 24 VAC	4.8 Ω
A275KXX91-120A	120 / 120 VAC	125 Ω
DC OPERATED		
A275KXX-24D	24 / 24 VDC	125 Ω
A275KXX90-24D	24 / 24 VDC	125 Ω
A275KXX91-24D	24 / 24 VDC	125 Ω