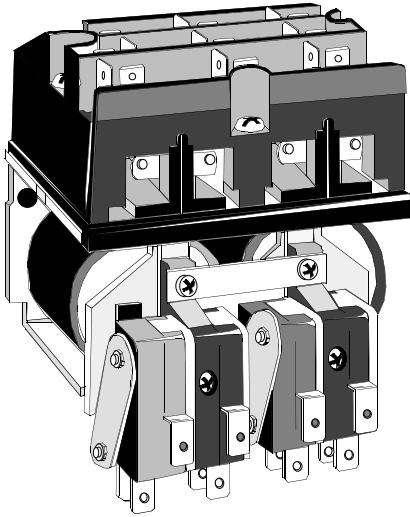




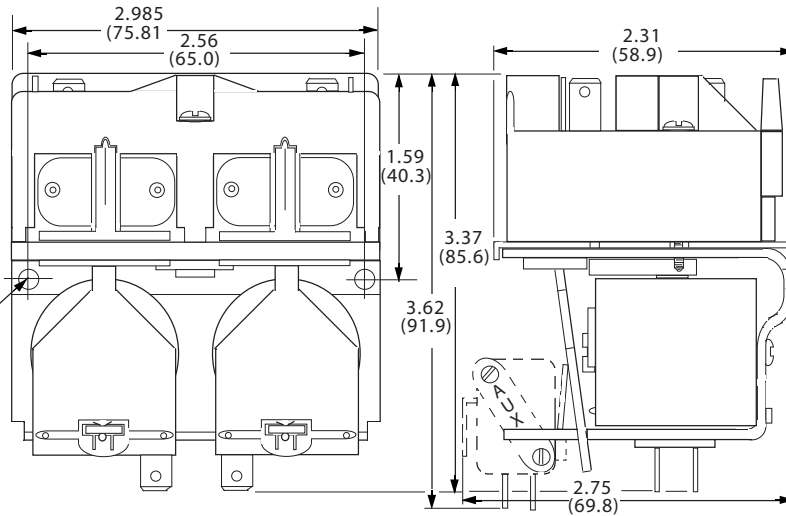
275 SERIES compact motors reversing contactor find extensive applications in the Industrial door operator Industry, the hoist Industry and electronic wheel balancers, to name a few. The 275 has Q.C. coil terminals extending out the back (opposite the contact terminals), mechanically interlocked armatures is a standard feature.



UP
↑
RECOMMENDED MOUNTING POSITION

.187 (4.76)
2 holes for #8 screws

OUTLINE DIMENSIONS
Dimensions shown in Inch and (Millimeters)



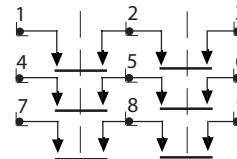
STRUTHERS-DUNN

ORDERING CODE				
Typical Type No.	A275	KXX	90	-24A
Series	_____			
A275, 1/4" Terminals, motor reversing.				
Continuous, 1 & 2 Hp, 3 pole models				
Contact Arrangements	_____			
KXX (3PDM-NO., per coil)				
Options	_____			
2 Aux. contacts, each SPDT				
(1 per coil) 1/4" Q.C. terminals - CODE 90				
4 Aux. contacts, each SPDT				
(2 per coil) 1/4" Q.C. terminals - CODE 91				
Rectified Coil - CODE V2				
Coil Voltage	_____			
AC12, 24, 110, 120, 220, 240 (Add "A")				
DC: 12, 24, 32, 48, 120 (Add "D")				

OPTIONS (CONSULT FACTORY)

WIRING DIAGRAM

TOP VIEW
Main contact terminals are numbered on contactor



Auxiliary contact
Snap S switches

MOTOR REVERSING CONTACTOR, 1 & 3 HP, 6 POLE

GENERAL SPECIFICATIONS (@ 25⁰ C)

COIL	
Pull-in Voltage:	AC: 85%, DC: 80% of nominal voltage measured at 25 ⁰ C
Dropout Voltage:	10% of nominal voltage or more @ 25 ⁰ C
Max. allowed voltage:	110% of nominal voltage
Coil Resistance:	±10% Measured @ 25 ⁰ C
CONTACTS	
Contact Material:	Silver Cadmium Oxide.
TIMING	
Operate Time:	50 mS Max. @ Nominal Voltage.
Release Time:	30 mS Max. @ Nominal Voltage.
DIELECTRIC STRENGTH	
All Mutually Insulated Points:	2500 V rms between all mutually Insulated current carrying parts and those parts to ground.
Insulation Resistance:	500 VDC Exceeds 1000 Megohms.
TEMPERATURE	
Temperature Rating:	AC: -45 ⁰ C to +50 ⁰ C @ rated operation. DC: -45 ⁰ C to +70 ⁰ C @ rated operation.
LIFE EXPECTANCY	
Mechanical:	5 Million Operations no load
Electrical:	100,000 Operations @ Rated Load. 500,000 Operations @ 1/2 rated load.
MISCELLANEOUS	
Weight:	1 pound, approx..

CONTACT RATINGS

AC CONTACTS: Rated with all contacts in use, not rated per pole.

VOLTAGE (60HZ)	PHASE	MOTOR LOADS (HP)	RESISTIVE LOAD (AMPS)
120	1 - 2 - 3	1	15
240	1	1.5	10
240	2 - 3	3	10
480/600	2 - 3	3	5

DC COIL SPECIFICATIONS @ 25⁰ C

Nominal Voltage	Resistance Ohms ± 10%	Power Consumption
12	31.0	4.5W
24	125	4.6W
32	210	4.9W
48	500	4.6W
120	3240	4.4W

Polypropylene encapsulated coils

DC CONTACTS

VOLTAGE (DC)	RESISTIVE LOAD (AMPS)
30	15
125	5

600 volt spacing to ground.
300 volt spacing for auxiliary contacts.

AC COIL SPECIFICATIONS @ 25⁰ C

Nominal Voltage	Resistance Ohms ± 10%	Power Consumption
12V/50-60hz	1.24	17VA
24V/50-60hz	4.63	16.7VA
110V/50-120V/60hz	125	16.8VA
220V/50-240V/60hz	500	16.8VA