



RoHS Compliant

**A16**

14.5 x 14.0 x 14.3 mm    14.5 x 7.7 x 13.7 mm

## Features

- H-Bridge contact configuration available
- Small size and light weight
- 25A switching capacity
- F Class materials standard
- QS-9000, ISO-9002 Certified Manufacturing

## Contact Data

Contact Arrangement	1C = SPDT 1H = H Bridge
Contact Rating	25A @ 14VDC

Contact Resistance	< 50 milliohms initial
Contact Material	AgSnO <sub>2</sub> In <sub>2</sub> O <sub>3</sub>
Maximum Switching Power	480W
Maximum Switching Voltage	20VDC
Maximum Switching Current	30A

## Coil Data

Coil Voltage VDC		Coil Resistance Ω +/- 10%		Pick Up Voltage VDC (max) 70% of rated voltage	Release Voltage VDC (min) 10% of rated voltage	Coil Power W	Operate Time ms	Release Time ms
Rated	Max	.64W	.80W					
12	15.6	225	180	8.40	1.2	.64 & .80	10	5

## General Data

Electrical Life @ rated load	100K cycles, typical
Mechanical Life	10M cycles, typical
Insulation Resistance	100M Ω min. @ 500VDC
Dielectric Strength, Coil to Contact Contact to Contact	1500V rms min. @ sea level 1000V rms min. @ sea level
Shock Resistance	100m/s <sup>2</sup> for 11 ms
Vibration Resistance	1.27mm double amplitude 10~40Hz
Terminal (Copper Alloy) Strength	4N
Operating Temperature	-40°C to +105°C
Storage Temperature	-40°C to +155°C
Solderability	260°C for 5 s
Weight	4.1g

### Caution

1. The use of any coil voltage less than the rated coil voltage may compromise the operation of the relay.

Specifications and availability subject to change without notice.

Dimensions shown in mm. Dimensions are shown for reference purposes only.

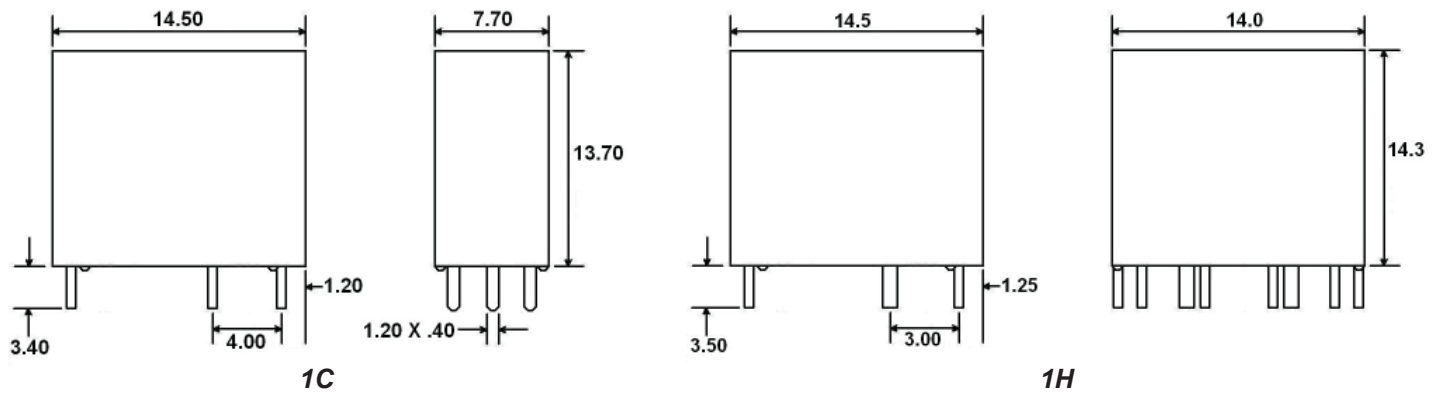
# A16

## Ordering Information

1. Series	A16	1C	S	12VDC	.64
A16					
2. Contact Arrangement					
1C = SPDT					
2H = H Bridge					
3. Sealing Option					
S = Sealed					
C = Dust Cover					
4. Coil Voltage					
12VDC					
5. Coil Power					
.64 = .64W					
.80 = .80W					

## Dimensions

Units = mm



## Schematics & PC Layouts

Bottom Views

