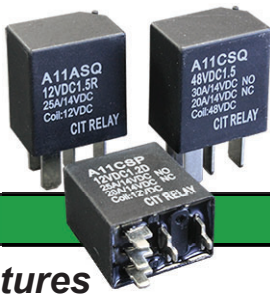


RoHS Compliant



Features

- Switching capacity up to 30A
- Small size and light weight
- PCB pin and quick connect mounting available
- Suitable for automobile and lamp accessories

Contact Data*

Contact Arrangement	1A = SPST N.O. 1C = SPDT
Contact Rating	NO 30A @ 14VDC 15A @ 28VDC 1.5A @ 48VDC
	NC 20A @ 14VDC 10A @ 28VDC 1A @ 48VDC

Contact Resistance	< 50 milliohms initial
Contact Material	AgSnO ₂
Maximum Switching Power	350W
Maximum Switching Voltage	75VDC
Maximum Switching Current	30A

Coil Data*

Coil Voltage VDC		Coil Resistance Ω +/- 10%		Pick Up Voltage VDC (max)	Release Voltage VDC (min)	Coil Power W	Operate Time ms	Release Time ms
Rated	Max	1.2W	1.5W	70% of rated voltage	10% of rated voltage			
6	7.8	30	24	4.20	.6	1.20 or 1.50	10	7
12	15.6	120	96	8.40	1.2			
24	31.2	480	384	18.00	2.4			
48	62.4	1920	1536	33.60	4.8			

General Data*

Electrical Life @ rated load	100K cycles, average
Mechanical Life	10M cycles, average
Insulation Resistance	100M Ω min. @ 500VDC initial
Dielectric Strength, Coil to Contact	2500V rms min. @ sea level initial
Contact to Contact	1500V rms min. @ sea level initial
Shock Resistance	100m/s ² for 11 ms
Vibration Resistance	1.27mm double amplitude 10~40Hz
Terminal (Copper Alloy) Strength	8N (Quick Connect), 4N (PCB pins)
Operating Temperature	-40°C to +85°C
Storage Temperature	-40°C to +155°C
Solderability	260°C for 5 s
Weight	18.5g

* Values can change due to the switching frequency, desired reliability levels, environmental conditions and in-rush load levels. It is recommended to test actual load conditions for the application. It is the user's responsibility to determine the performance suitability for their specific application. The use of any coil voltage less than the rated coil voltage may compromise the operation of the relay.

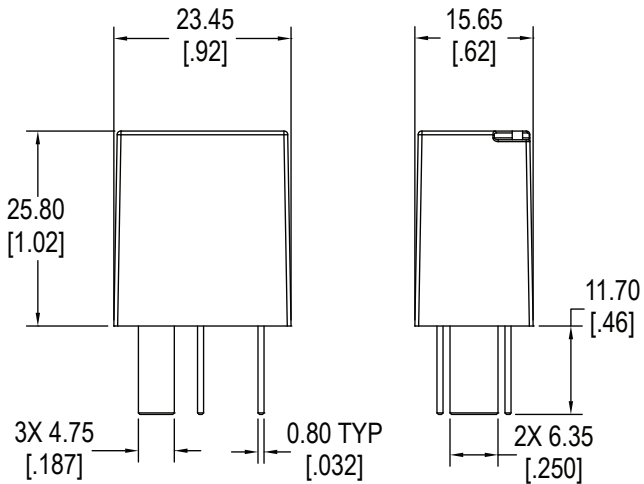
A1

Ordering Information

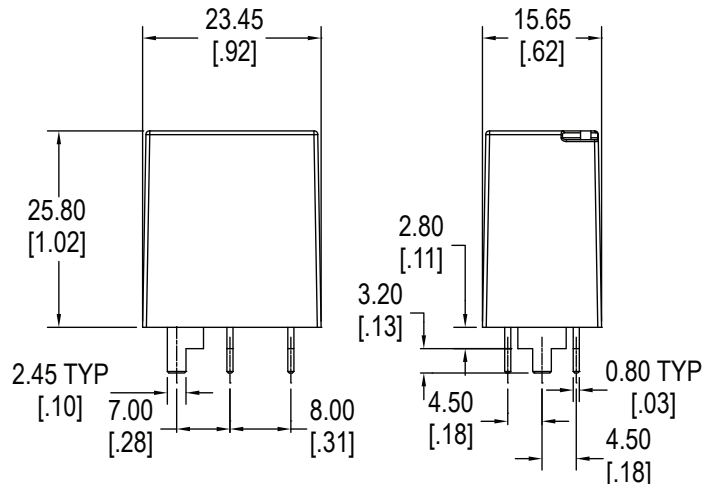
1. Series	A1	1A	S	Q	12VDC	1.2
A1						
2. Contact Arrangement	1A = SPST N.O. 1C = SPDT					
3. Sealing Option	S = Sealed					
4. Termination	P = PCB Pins Q = Quick Connect					
5. Coil Voltage	6VDC 12VDC 24VDC 48VDC					
6. Coil Power	1.2 = 1.2W 1.5 = 1.5W					
7. Coil Suppression	Blank = Standard D = Diode (1N4005) R = Resistor (680Ω for 12VDC, 2700Ω for 24VDC) ** Consult factory if other values are needed					

Dimensions

Units = mm



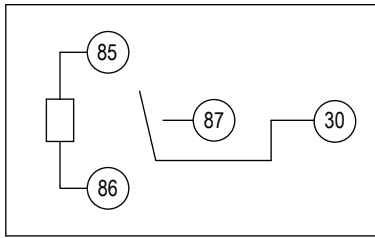
Quick Connect



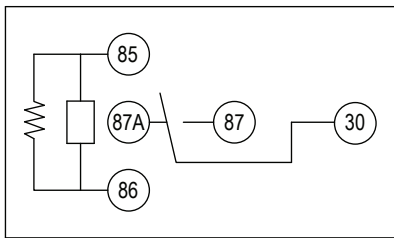
PC Pin

Schematics & PC Layout

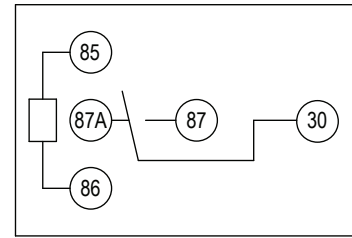
Bottom Views



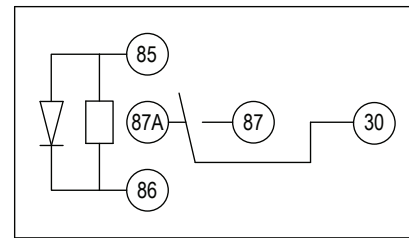
1A



1C with Resistor



1C



1C with Diode

