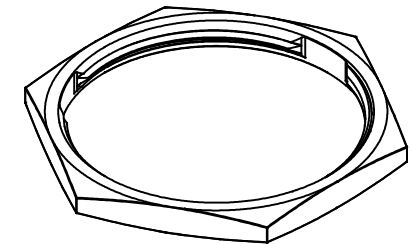
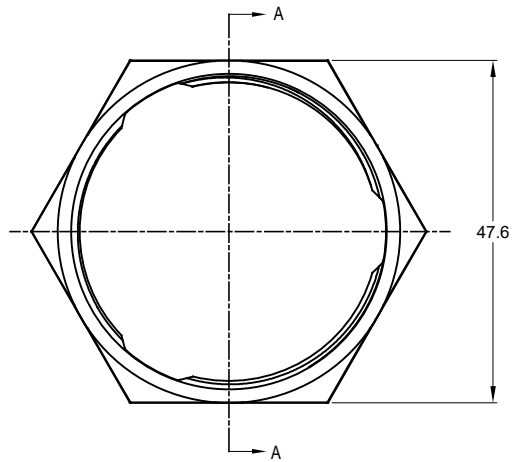
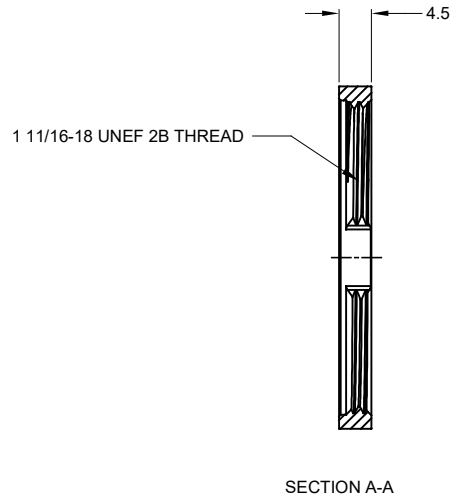


REVISIONS					
REV	ECO	DESCRIPTION	DATE	BY	APPR
A1	--	RELEASE NEW DRAWING	28/SEP/18	ROOKIE	TOMMY
A2	--	ADD MOUNTING TORQUE VALUE	23/JUN/20	LOUIE	TOMMY



NOTES: UNLESS OTHERWISE SPECIFIED

1. MATERIAL: ALUMINIUM ALLOY, NICKEL PLATED.
2. USE WITH AHDM SERIES SIZE 24 RECEPTACLE. MOUNTING TORQUE IS 39.5-42.6 NM
3. RoHS COMPLIANT.
4. ALL DIMENSIONS ARE FOR REFERENCE USE ONLY.

A112263-90		DESCRIPTION		ITEM								
PART NUMBER		DESCRIPTION		ITEM								
QUANTITY		MATERIALS LIST										
UNLESS OTHERWISE SPECIFIED: 1) All dimensions are in metric(mm). 2) Tolerances are as follows: 1 PL DEC ±0.30 Fractions ±1/64 2 PL DEC ±0.15 Angles ±1° 3 PL DEC ±0.08		SIGNATURES	DATE	<h2 style="text-align: center;">Amphenol</h2> <p style="text-align: center;">Sine Systems - www.amphenol-sine.com 44724 Morley Drive Clinton Township, MI 48036</p>								
MATERIAL SPECIFICATIONS:		DRAWN: LOUIE	23/JUN/20									
PROCESS SPECIFICATIONS:		CHECKED: ORION	24/JUN/20									
NEXT ASSY:		APPROVAL: TOMMY	28/JUN/20									
		CUSTOMER:		NUT, DURAMATE AHDM SERIES, SIZE 24								
		THIS DRAWING IS SUPPLIED FOR INFORMATION ONLY. DESIGN FEATURES, SPECIFICATIONS AND PERFORMANCE DATA SHOWN HEREON ARE THE PROPERTY OF THE AMPHENOL CORPORATION. NO RIGHTS OF REPRODUCTION ARE IMPLIED. ALL DIMENSIONS ARE SUBJECT TO NORMAL MANUFACTURING VARIATIONS.		<table border="1"> <tr> <td>SIZE</td> <td>TYPE</td> <td>DWG NO.</td> <td>REVISION</td> </tr> <tr> <td>B</td> <td>C-</td> <td>A112263-90</td> <td>A2</td> </tr> </table>	SIZE	TYPE	DWG NO.	REVISION	B	C-	A112263-90	A2
SIZE	TYPE	DWG NO.	REVISION									
B	C-	A112263-90	A2									
		SCALE: NONE	SHEET 1 OF 1									

TITLE: NUT, DURAMATE AHDM SERIES, SZ 24 DWG NO: A112263-90 REV: A2 SH: 1 OF 1