

A02 SERIES

PUSHBUTTON SWITCHES, ILLUMINATED OR NON-ILLUMINATED

Panel cut-out .866" (22mm) or 1.161" x .846" (29.5mm x 21.5mm)

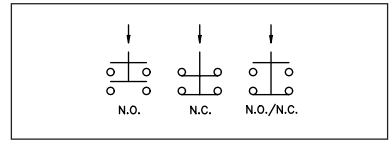
A pushbutton assembly requires:

Screen + Lamp (if illuminated) + Operator + one or two Switchblocks

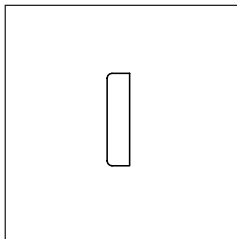
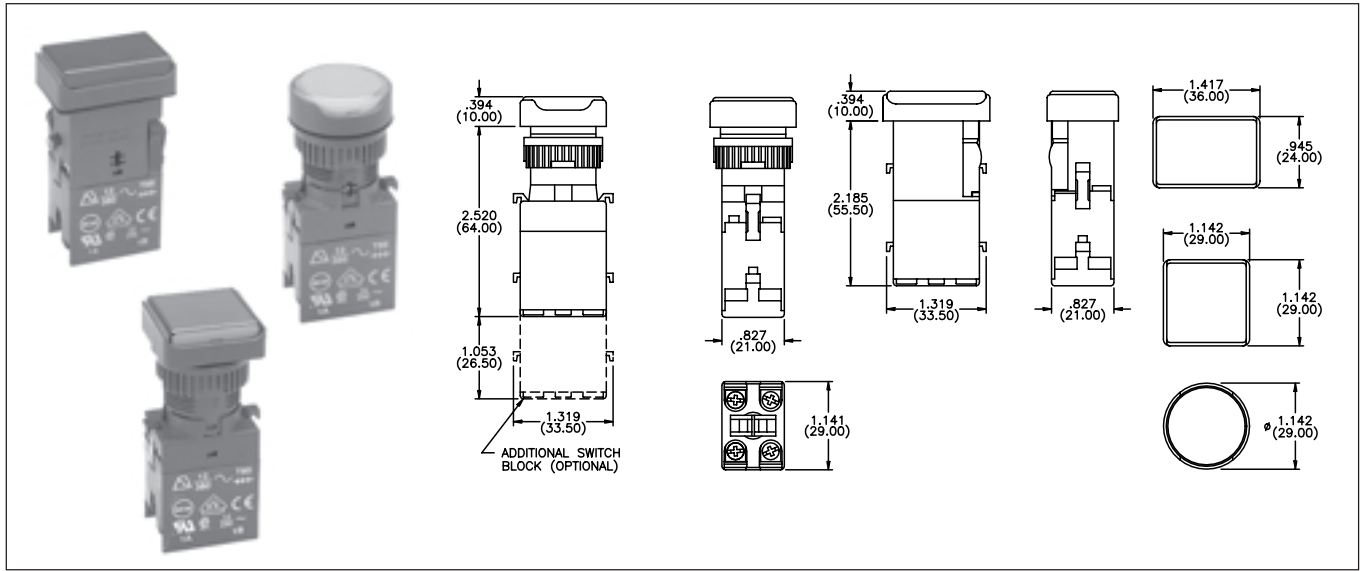
To order, select desired model numbers from tables below.

Example: IP65 rectangular maintained pushbutton, switch blocks with 2 N.O. contacts, red screen and 12V red LED = **A0261B, A0242J1, A0201X and A02503**

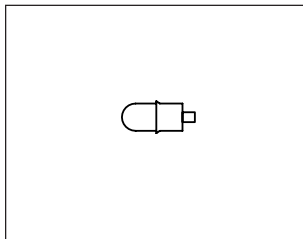
Switches are normally shipped unassembled. Consult factory if factory assembly is required.



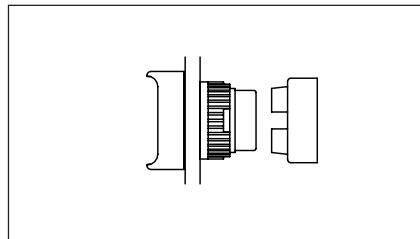
SPECIFICATIONS SUBJECT TO CHANGE WITHOUT NOTICE.



SCREEN		
Bezel	Color	Part no.
■	black	A0261A
■	red	A0261B
■	amber	A0261C
■	yellow	A0261D
■	green	A0261E
■	blue	A0261F
■	clear	A0261G
■	white	A0261J
■	black	A0262A
■	red	A0262B
■	amber	A0262C
■	yellow	A0262D
■	green	A0262E
■	blue	A0262F
■	clear	A0262G
■	white	A0262J
●	black	A0263A
●	red	A0263B
●	amber	A0263C
●	yellow	A0263D
●	green	A0263E
●	blue	A0263F
●	clear	A0263G
●	white	A0263J



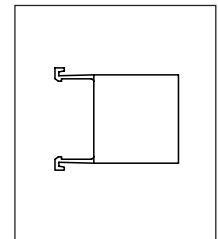
LAMP			
Lamp	Voltage	Part no.	
Filament	6.3V	A0141A	
Filament	14V	A0141B	
Filament	28V	A0141C	
Filament	36V	A0141D	
Filament	48V	A0141E	
Filament	60V	A0141F	
Neon	110V	A0143G	
Neon	220V	A0143H	
LED lamp model no's: see Pgs K5 & K6			
LED assy	■ 6V	A0242H*	
LED assy	■ 12V	A0242J*	
LED assy	■ 24V	A0242K*	
LED assy	■ 6V	A0243H*	
LED assy	■ 12V	A0243J*	
LED assy	■ 24V	A0243K*	
LED assy	● 6V	A0244H*	
LED assy	● 12V	A0244J*	
LED assy	● 24V	A0244K*	
Replace * with color code for LED assemblies: 1: red 2: green 3: amber			



OPERATOR			
Bezel	Description	Lamp type	Part no.
■	illum, mom	lamp/LED	A0201Y
■	illum, maint	lamp/LED	A0201X
■	illum, mom	LED assy	A0202Y
■	illum, maint	LED assy	A0202X
■	non-illum, mom		A0203Y
■	non-illum, maint		A0203X
■	illum, mom	lamp/LED	A0204Y
■	illum, maint	lamp/LED	A0204X
■	illum, mom	LED assy	A0205Y
■	illum, maint	LED assy	A0205X
■	non-illum, mom		A0206Y
■	non-illum, maint		A0206X
●	illum, mom	lamp/LED	A0207Y
●	illum, maint	lamp/LED	A0207X
●	illum, mom	LED assy	A0208Y
●	illum, maint	LED assy	A0208X
●	non-illum, mom		A0209Y
●	non-illum, maint		A0209X

White or blue LED assembly: Contact factory.

FOR UNSEALED SWITCHES (IP40): Add '01' to end of OPERATOR model number.



SWITCH BLOCK	
Contacts	Part no.
1 N.O.	A02501
1 N.C.	A02502
2 N.O.	A02503
2 N.C.	A02504
1 N.O./1 N.C.	A02505

SECOND SWITCH BLOCK	
Contacts	Part no.
1 N.O.	A02506
1 N.C.	A02507
2 N.O.	A02508
2 N.C.	A02509
1 N.O./1 N.C.	A02510

To achieve 3 or 4 pole switching, add second switch block, from above table.

FOR SCREEN ENGRAVING OR INSERTABLE LEGENDS: Contact factory.

Bezel: ■ rectangular ■ square ● round 'illum' - illuminated 'non-illum' - non-illuminated 'mom' - momentary 'maint' - maintained

A02 SERIES

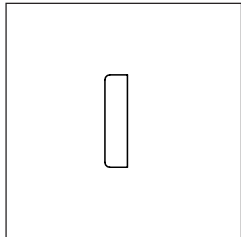
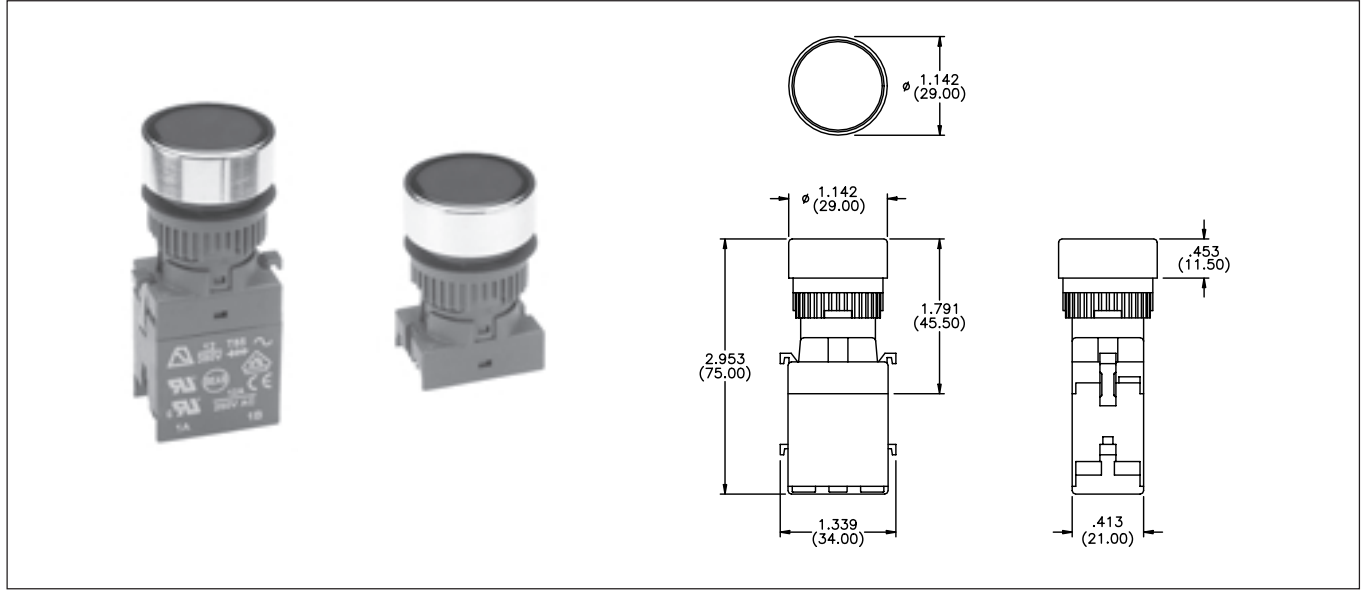
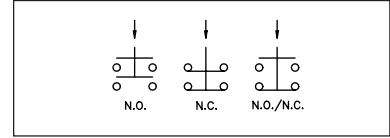
METAL BEZEL PUSHBUTTON SWITCHES & INDICATORS

Panel cut-out .866" (22mm)

A pushbutton assembly requires: Screen + Lamp (if illuminated) + Operator + one or two Switchblocks. An indicator assembly requires: Screen + Lamp + Operator.

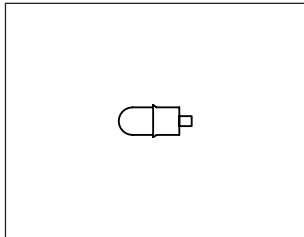
To order, select desired model numbers from tables below. **Example:** IP65 metal bezel maintained pushbutton, switch block with 2 N.O. contacts, red screen and 12V red LED = **A0263B, A0244J1, A0211X and A02503**

Switches are normally shipped unassembled. Consult factory if factory assembly is required.



SCREEN

Bezel	Color	Part no.
●	black	A0263A
●	red	A0263B
●	amber	A0263C
●	yellow	A0263D
●	green	A0263E
●	blue	A0263F
●	clear	A0263G
●	white	A0263J



LAMP

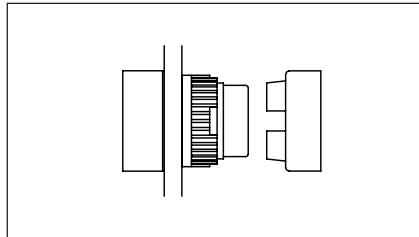
Lamp	Voltage	Part no.
Filament	6.3V	A0141A
Filament	14V	A0141B
Filament	28V	A0141C
Filament	36V	A0141D
Filament	48V	A0141E
Filament	60V	A0141F
Neon	110V	A0143G
Neon	220V	A0143H

LED lamp model no's:
see Pgs K5 & K6

LED assy ●	6V	A0244H*
LED assy ●	12V	A0244J*
LED assy ●	24V	A0244K*

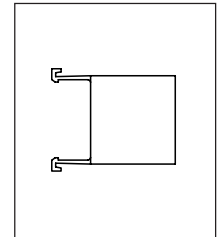
Replace * with color code for LED assemblies:
1: red
2: green
3: amber

White or blue LED assy: Contact factory.



OPERATOR

Bezel	Description	Lamp type	Part no.
●	illum, mom	lamp/LED	A0210Y
●	illum, maint	lamp/LED	A0210X
●	illum, mom	LED assy	A0211Y
●	illum, maint	LED assy	A0211X
●	non-illum, mom		A0212Y
●	non-illum, maint		A0212X
●	illum, indicator	lamp/LED	A0277
●	illum, indicator	LED assy	A0278



SWITCH BLOCK

Contacts	Part no.
1 N.O.	A02501
1 N.C.	A02502
2 N.O.	A02503
2 N.C.	A02504
1 N.O./1 N.C.	A02505

SECOND SWITCH BLOCK

Contacts	Part no.
1 N.O.	A02506
1 N.C.	A02507
2 N.O.	A02508
2 N.C.	A02509
1 N.O./1 N.C.	A02510

To achieve 3 or 4 pole switching, add second switch block, from above table.

FOR UNSEALED SWITCHES (IP40): Add '01' to end of OPERATOR model number.
FOR SCREEN ENGRAVING OR INSERT-ABLE LEGENDS: Contact factory.

Bezel: ■ rectangular ■ square ● round 'illum' - illuminated 'non-illum' - non-illuminated 'mom' - momentary 'maint' - maintained

SPECIFICATIONS SUBJECT TO CHANGE WITHOUT NOTICE.

K

A02 SERIES

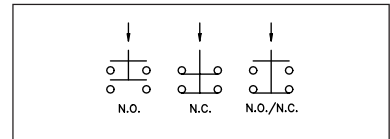
FLUSH MOUNTING PUSHBUTTON SWITCHES & INDICATORS

Panel cut-out 1.181" (30mm)

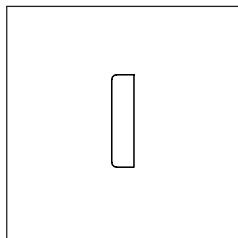
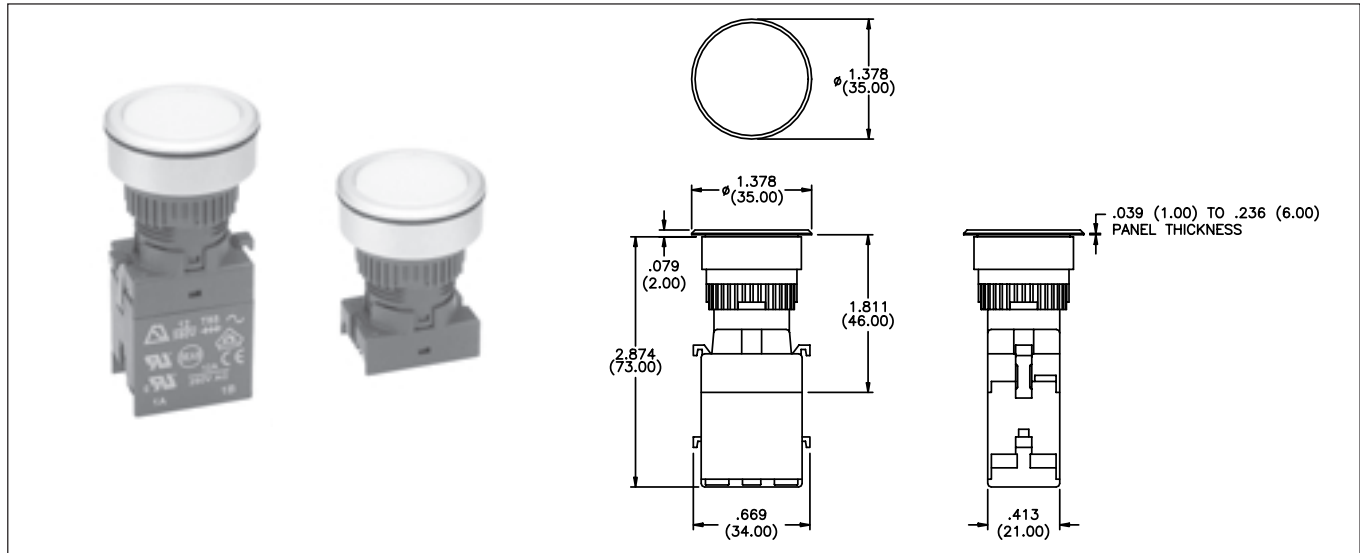
A pushbutton assembly requires: Screen + Lamp (if illuminated) + Operator + one or two Switchblocks. An indicator assembly requires: Screen + Lamp + Operator.

To order, select desired model numbers from tables below. **Example:** IP65 flush mounting maintained pushbutton, switch block with 2 N.O. contacts, red screen and 12V red LED = **A0263B, A0244J1, A0213X and A02503**

Switches are normally shipped unassembled. Consult factory if factory assembly is required.

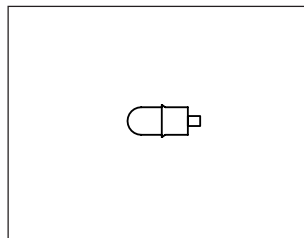


SPECIFICATIONS SUBJECT TO CHANGE WITHOUT NOTICE.



SCREEN

Bezel	Color	Part no.
●	black	A0263A
●	red	A0263B
●	amber	A0263C
●	yellow	A0263D
●	green	A0263E
●	blue	A0263F
●	clear	A0263G
●	white	A0263J



LAMP

Lamp	Voltage	Part no.
Filament	6.3V	A0141A
Filament	14V	A0141B
Filament	28V	A0141C
Filament	36V	A0141D
Filament	48V	A0141E
Filament	60V	A0141F
Neon	110V	A0143G
Neon	220V	A0143H

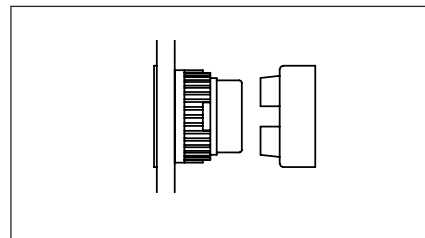
LED lamp model no's:
see Pgs K5 & K6

LED assy	Voltage	Part no.
●	6V	A0244H*
●	12V	A0244J*
●	24V	A0244K*

Replace * with color code for LED assemblies:

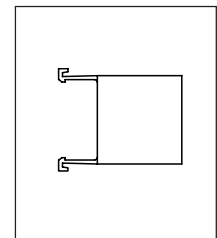
- 1: red
- 2: green
- 3: amber

White or blue LED assy: Contact factory.



OPERATOR

Bezel	Description	Lamp type	Part no.
●	illum, mom	lamp/LED	A0214Y
●	illum, maint	lamp/LED	A0214X
●	illum, mom	LED assy	A0213Y
●	illum, maint	LED assy	A0213X
●	non-illum, mom		A0215Y
●	non-illum, maint		A0215X
●	illum, indicator	lamp/LED	A02791
●	illum, indicator	LED assy	A02792



SWITCH BLOCK

Contacts	Part no.
1 N.O.	A02501
1 N.C.	A02502
2 N.O.	A02503
2 N.C.	A02504
1 N.O./1 N.C.	A02505

SECOND SWITCH BLOCK

Contacts	Part no.
1 N.O.	A02506
1 N.C.	A02507
2 N.O.	A02508
2 N.C.	A02509
1 N.O./1 N.C.	A02510

To achieve 3 or 4 pole switching, add second switch block, from above table.

FOR UNSEALED SWITCHES (IP40): Add '01' to end of OPERATOR model number.

FOR SCREEN ENGRAVING OR INSERT-ABLE LEGENDS: Contact factory.

Bezel: ■ rectangular ■ square ● round 'illum' - illuminated 'non-illum' - non-illuminated 'mom' - momentary 'maint' - maintained

K

A02 SERIES INDICATORS

Panel cut-out .866" (22mm) or 1.161" x .846" (29.5mm x 21.5mm)

An indicator assembly requires:

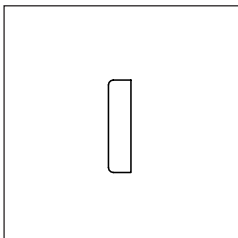
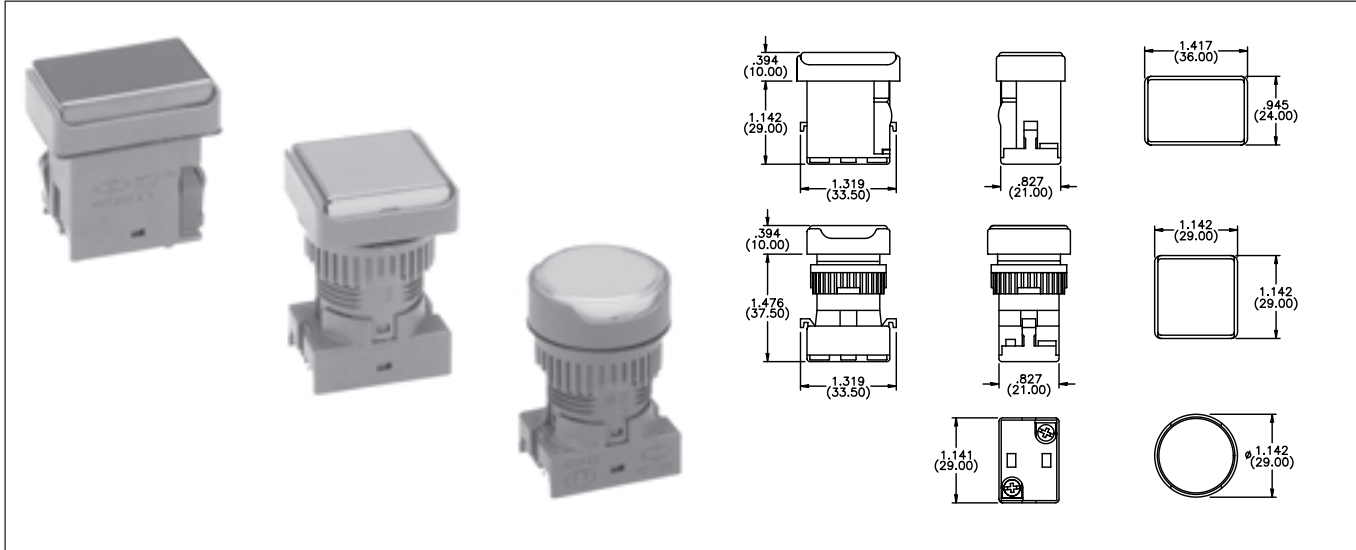
Screen + Lamp (LED or LED assembly) + Operator

To order, select desired model numbers from tables below.

Example: Rectangular indicator with red screen and 12V red LED =

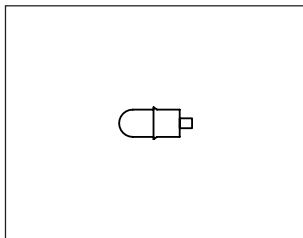
A0261B, A0242J1 and A0272

Indicators are normally shipped unassembled. Consult factory if factory assembly is required.



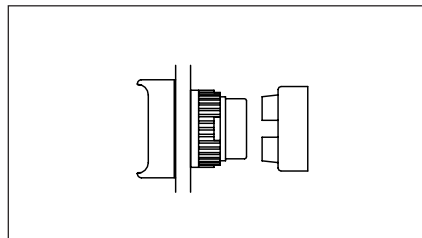
SCREEN

Bezel	Color	Part no.
■	black	A0261A
■	red	A0261B
■	amber	A0261C
■	yellow	A0261D
■	green	A0261E
■	blue	A0261F
■	clear	A0261G
■	white	A0261J
■	black	A0262A
■	red	A0262B
■	amber	A0262C
■	yellow	A0262D
■	green	A0262E
■	blue	A0262F
■	clear	A0262G
■	white	A0262J
●	black	A0263A
●	red	A0263B
●	amber	A0263C
●	yellow	A0263D
●	green	A0263E
●	blue	A0263F
●	clear	A0263G
●	white	A0263J



LAMP

Lamp	Voltage	Part no.
Filament	6.3V	A0141A
Filament	14V	A0141B
Filament	28V	A0141C
Filament	36V	A0141D
Filament	48V	A0141E
Filament	60V	A0141F
Neon	110V	A0143G
Neon	220V	A0143H
LED lamp model no's: see Pgs K5 & K6		
LED assy	■ 6V	A0242H*
LED assy	■ 12V	A0242J*
LED assy	■ 24V	A0242K*
LED assy	■ 6V	A0243H*
LED assy	■ 12V	A0243J*
LED assy	■ 24V	A0243K*
LED assy	● 6V	A0244H*
LED assy	● 12V	A0244J*
LED assy	● 24V	A0244K*
Replace * with color code for LED assemblies: 1: red 2: green 3: amber		



OPERATOR

Bezel	Description	Lamp type	Part no.
■	indicator	lamp/LED	A0271
■	indicator	LED assy	A0272
■	indicator	lamp/LED	A0273
■	indicator	LED assy	A0274
●	indicator	lamp/LED	A0275
●	indicator	LED assy	A0276

White or blue LED assembly: Contact factory.

FOR UNSEALED INDICATORS (IP40): Add '01' to end of OPERATOR model number.

FOR SCREEN ENGRAVING OR INSERTABLE LEGENDS: Contact factory.

Bezel: ■ rectangular ■ square ● round

SPECIFICATIONS SUBJECT TO CHANGE WITHOUT NOTICE.

K

A02 SERIES

ROTARY LEVER SWITCHES

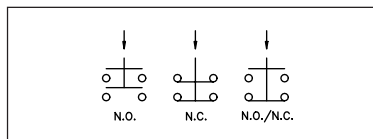
Panel cut-out .866" (22mm)

**A rotary lever assembly requires:
Operator + one or two Switchblocks**

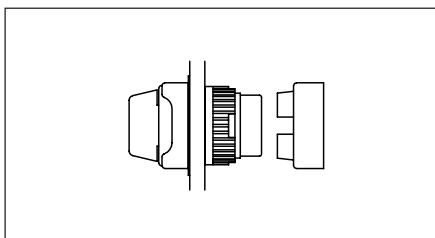
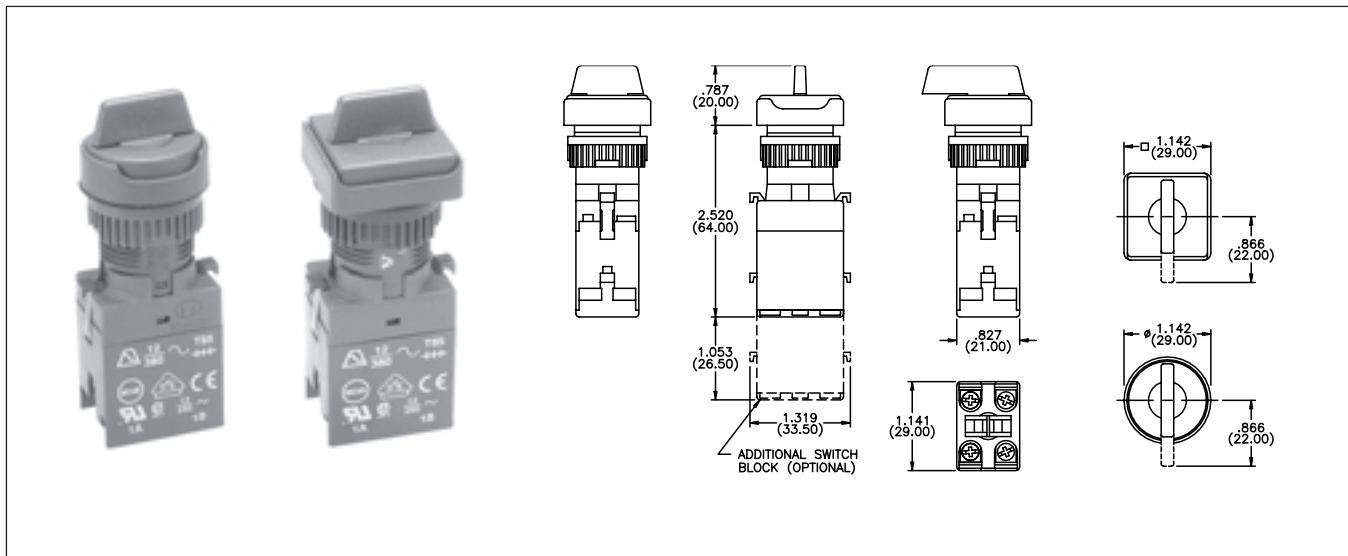
To order, select desired model numbers from tables below.

Example: IP65 square 2 position maintained rotary switch with long lever and switch block with 2 N.O. contacts = **A029101** and **A02503**

Switches are normally shipped unassembled. Consult factory if factory assembly is required.

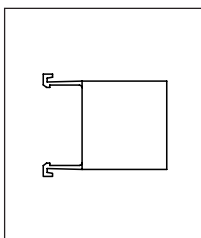


SPECIFICATIONS SUBJECT TO CHANGE WITHOUT NOTICE.



OPERATOR

Bezel	Description	Short lever	Long lever
■	2 pos. maintained	A029201	A029101
■	2 pos. momentary	A029202	A029102
■	3 pos. maintained	A029203	A029103
■	3 pos. momentary	A029204	A029104
■	3 pos. mainB, momC	A029205	A029105
■	3 pos. momB, mainC	A029206	A029106
●	2 pos. maintained	A029401	A029301
●	2 pos. momentary	A029402	A029302
●	3 pos. maintained	A029403	A029303
●	3 pos. momentary	A029404	A029304
●	3 pos. mainB, momC	A029405	A029305
●	3 pos. momB, mainC	A029406	A029306



SWITCH BLOCK

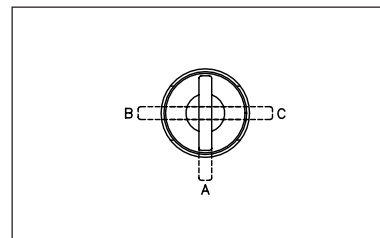
Contacts	Part no.
1 N.O.	A02501
1 N.C.	A02502
2 N.O.	A02503
2 N.C.	A02504
1 N.O./1 N.C.	A02505

SECOND SWITCH BLOCK

Contacts	Part no.
1 N.O.	A02506
1 N.C.	A02507
2 N.O.	A02508
2 N.C.	A02509
1 N.O./1 N.C.	A02510

To achieve 3 or 4 pole switching, add second switch block, from above table.

LEVER POSITIONS



Lever rotation - 2 position switches

The model numbers shown are for switches with counterclockwise lever rotation. For clockwise rotation, replace:

01 with 07
02 with 08

at the end of the model number.

FOR UNSEALED SWITCHES (IP40): Add '01' to end of OPERATOR model number.

Bezel: ■ rectangular ■ square ● round 'momC' - momentary position C 'mainB' - maintained position B



A02 SERIES KEYLOCK SWITCHES

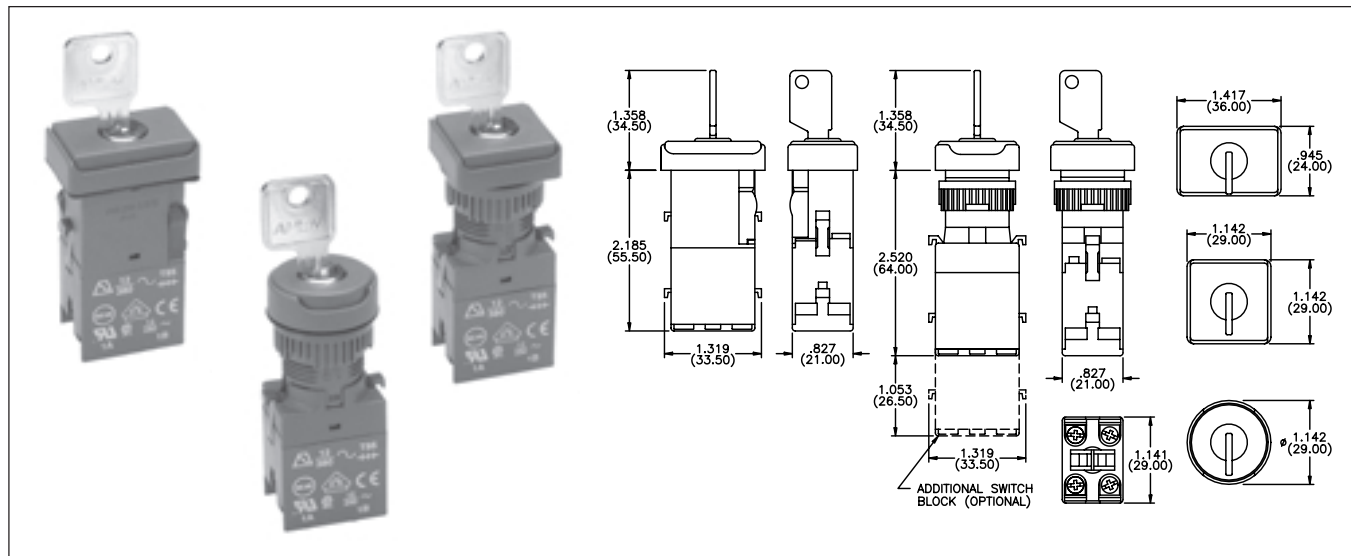
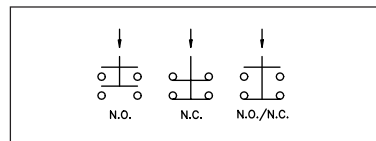
Panel cut-out .866" (22mm) or 1.161" x .846" (29.5mm x 21.5mm)

**A keylock switch assembly requires:
Operator + one or two Switchblocks**

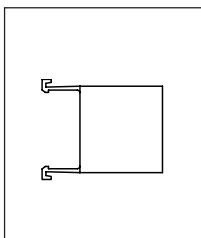
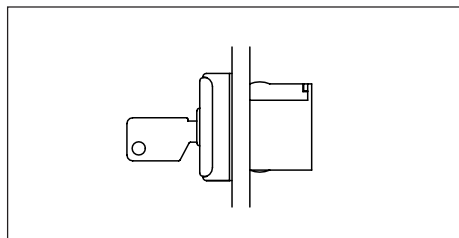
To order, select desired model numbers from tables below.

Example: IP65 square 2 position maintained keylock switch with 2 N.O. contacts =
A028201 and A02503

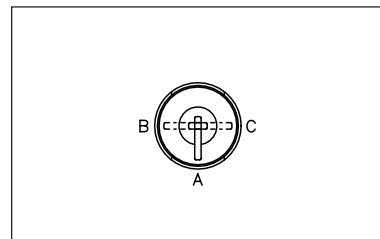
Switches are normally shipped unassembled. Consult factory if factory assembly is required.



SPECIFICATIONS SUBJECT TO CHANGE WITHOUT NOTICE.



KEY POSITIONS



Key rotation - 2 position switches

The model numbers shown are for switches with counterclockwise lever rotation. For clockwise rotation, replace:

01 with 20
02 with 19

at the end of the model number.

2 standard keys are supplied.
20 key barrel types available from stock.

OPERATOR

Bezel	Description	Part no.	Key removable
■	2 pos. maintained	A028101	A - C
■	2 pos. momentary	A028102	A
■	3 pos. maintained	A028105	A - B - C
■	3 pos. momentary	A028106	A
■	3 pos. mainB, momC	A028107	A - B
■	3 pos. momB, mainC	A028108	A - C
■	2 pos. maintained	A028201	A - C
■	2 pos. momentary	A028202	A
■	3 pos. maintained	A028205	A - B - C
■	3 pos. momentary	A028206	A
■	3 pos. mainB, momC	A028207	A - B
■	3 pos. momB, mainC	A028208	A - C
●	2 pos. maintained	A028301	A - C
●	2 pos. momentary	A028302	A
●	3 pos. maintained	A028305	A - B - C
●	3 pos. momentary	A028306	A
●	3 pos. mainB, momC	A028307	A - B
●	3 pos. momB, mainC	A028308	A - C

SWITCH BLOCK

Contacts	Part no.
1 N.O.	A02501
1 N.C.	A02502
2 N.O.	A02503
2 N.C.	A02504
1 N.O./1 N.C.	A02505

SECOND SWITCH BLOCK

Contacts	Part no.
1 N.O.	A02506
1 N.C.	A02507
2 N.O.	A02508
2 N.C.	A02509
1 N.O./1 N.C.	A02510

To achieve 3 or 4 pole switching, add second switch block, from above table.

FOR UNSEALED SWITCHES (IP40): Add '01' to end of OPERATOR model number.

NON-REMOVABLE KEY POSITIONS: Contact factory.

Bezel: ■ rectangular ■ square ● round 'momC' - momentary position C 'mainB' - maintained position B

K

A02 SERIES

EMERGENCY STOP SWITCHES & MUSHROOM HEAD PUSHBUTTONS

Panel cut-out .866" (22mm)

SPECIFICATIONS SUBJECT TO CHANGE WITHOUT NOTICE.

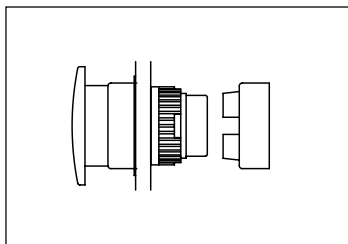
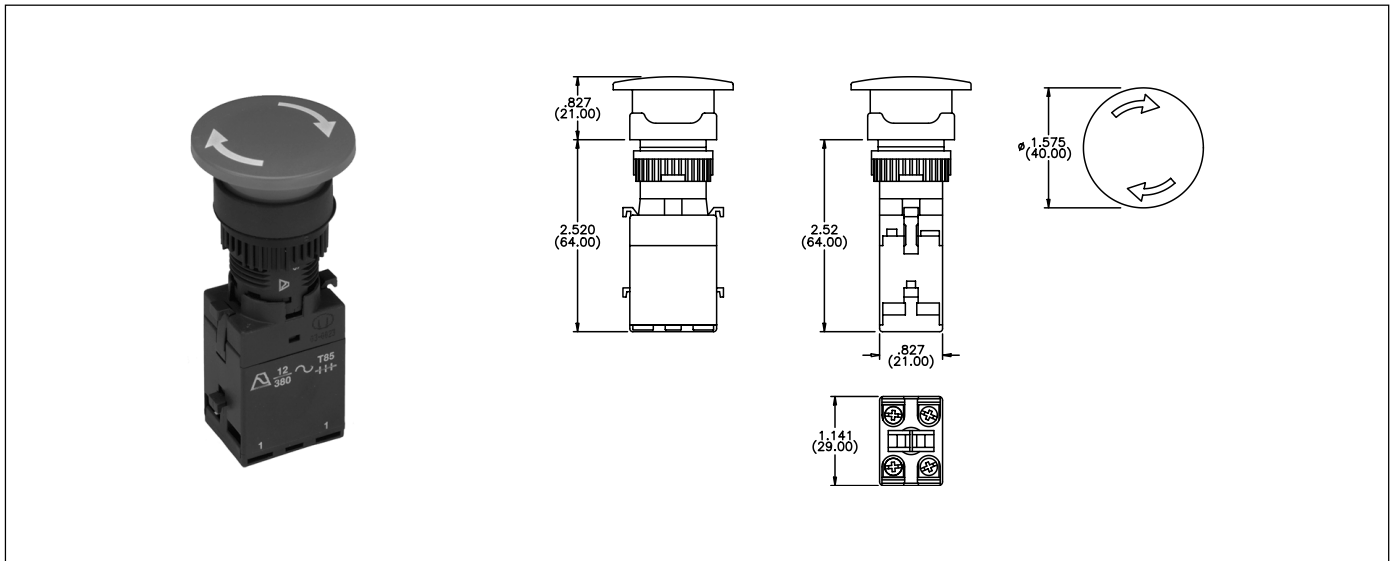
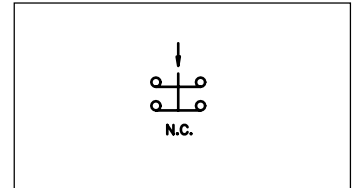
EMERGENCY STOP SWITCHES

- Highly visible 1.575" (40mm) dia. red mushroom actuator
- Highly reliable positive break switch
- Push to shut switch 'off', twist to reset to 'on'

An emergency stop switch assembly requires: **Operator + Switch block**

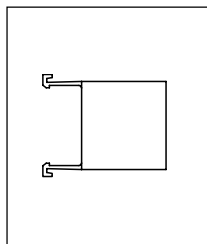
To order, specify with single pole or double pole switch block. **Approved to UL1054/EN 60947**

Switches are normally shipped unassembled. Consult factory if factory assembly is required.



OPERATOR

Description	Part no.
Emergency stop	A02ES



SWITCH BLOCK

No. of poles	Part no.
Single pole	A02512
Double pole	A02511

ACCESSORY

3.543" (90mm) dia.
Self Adhesive Label



Description	Part no.
Yellow label with text	A02YL1
Yellow label	A02YL2

MUSHROOM HEAD PUSHBUTTONS

NOTE: Mushroom head models are not approved to UL1054/EN 60947

OPERATOR

Bezel	Description	Part no.
●	Red momentary	A02MMB
●	Black momentary	A02MMA
●	Red maintained	A02MXB
●	Black maintained	A02MXA

SWITCH BLOCK

Contacts	Part no.
1 N.O.	A02501
1 N.C.	A02502
2 N.O.	A02503
2 N.C.	A02504
1 N.O./1 N.C.	A02505

SECOND

SWITCH BLOCK

Contacts	Part no.
1 N.O.	A02506
1 N.C.	A02507
2 N.O.	A02508
2 N.C.	A02509
1 N.O./1 N.C.	A02510

To achieve 3 or 4 pole switching, add second switch block, from table at right.

Bezel: ● round

For other colors, contact factory.

Note: actuator on momentary version is un-marked. Dimensions of mushroom head actuator is the same as A02ES (above).

Note that mushroom head switches, although similar in appearance to emergency stop switches, do not have fast break contacts. Therefore, they should not be used in an emergency stop application.

Mushroom head pushbutton assembly requires: Operator + Switchblock

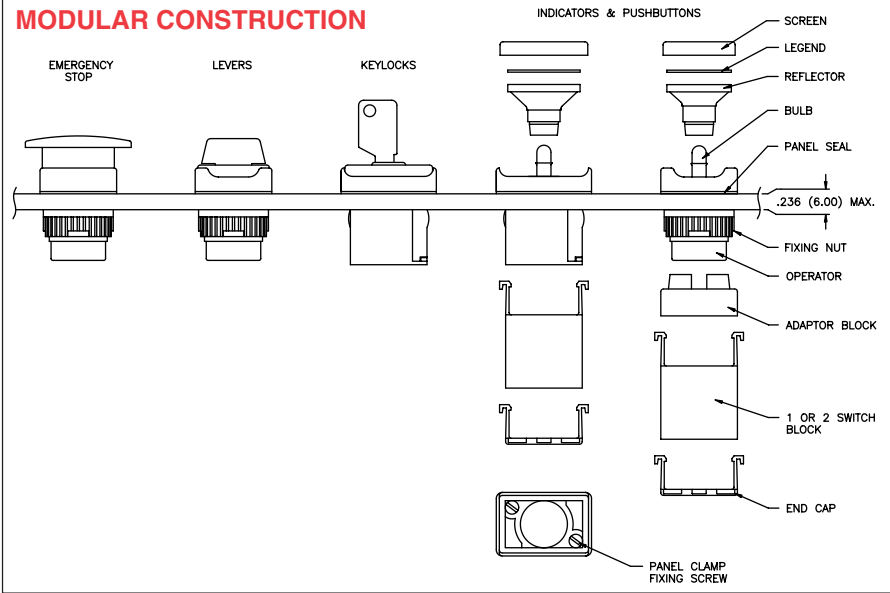
FOR UNSEALED SWITCHES (IP40): Add '01' to end of OPERATOR model number.

K

A02 SERIES

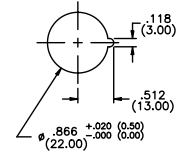
INDUSTRIAL CONTROLS

INSTALLATION & TOOLS

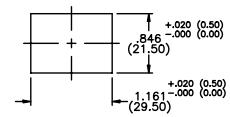


PANEL CUT-OUTS

Round & square operators



Rectangular operators



Max. panel thickness: .236" (6mm)

PANEL MOUNTING ASSEMBLY

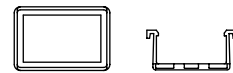
- Drill or punch hole per panel cut-outs above.
- Assemble front operator through hole and:
 - a. Round & square types: tighten fixing nut finger tight. Then, snap on adaptor block.
 - b. Rectangular types: tighten two panel fixing screws in front to a maximum of 8.5 in-oz. (6 Ncm).
- Wire switch block as required and snap onto front operator.
- Snap end cap onto switch block (optional).
- Assemble bulb, if required, using tool number 30-0002.
- Snap the screen onto the reflector assembly with legend in between, if required. Then snap onto front of operator, taking care to line up the locating slot with the polarizing dot to prevent damaging the seal.

TO REMOVE BULB

Remove reflector/screen assembly by inserting tool number 30-0006 between the bezel finger guard and the screen to engage the slot and pulling. Use the bulb extractor to remove the bulb.

TO REMOVE SWITCH BLOCK

Lever out latches using a small screwdriver, taking care not to overbend, and pull off the block from the front of operator.



END CAP TERMINAL GUARD

(provides unique terminal protection)
Order separately - part number **14-0005**

FIXING NUT KEY 30-0001



BULB REMOVER 30-0002



SCREEN REMOVER 30-0006



SPECIFICATIONS SUBJECT TO CHANGE WITHOUT NOTICE.

A01 & A02 SERIES

INDUSTRIAL CONTROLS

PRODUCTS & FEATURES

The A01 and A02 Series consist of:

- ◆ non-illuminated pushbutton switches
- ◆ illuminated pushbutton switches
- ◆ indicators
- ◆ 2 and 3 position keylock switches
- ◆ 2 and 3 position rotary lever switches
- ◆ emergency stop switches

... with rectangular, square or round operators.

Key features include:

- Environmental protection to IP65
- Totally modular construction
- 50,000 cycles min. electrical life
- Screen engraving or insertable legends on request
- Numerous agency approvals & markings -



Sub-assembly shows modular construction.



A01 Series

- ❑ Panel cut-out: .630" (16mm) dia.
- ❑ 1, 2, 3 and 4 poles
- ❑ Solder lug/quick connect terminals
- ❑ Gold plated silver contacts
- ❑ Current/voltage rating:
6A 250 VAC max. - 10 mA 5 VAC min.
- ❑ Lamp: filament, neon or multi-chip LED

A02 Series

- ❑ Panel cut-outs: .866" (22mm) dia. round or square and 1.160" x .846" (29.5mm x 21.5mm) rectangular
- ❑ 1 and 2 poles
- ❑ Screw terminals
- ❑ Silver contacts
- ❑ Current/voltage rating:
12 A 380 VAC - 16 A 250 VAC max.
25 mA 5 VAC min.
- ❑ Lamp: filament, neon or multi-chip LED or special multi-LED assembly

For back of panel safety, this series has a unique covered cable connection guard (see accessories).

SPECIFICATIONS SUBJECT TO CHANGE WITHOUT NOTICE.

A01 & A02 SERIES

INDUSTRIAL CONTROLS

SPECIFICATIONS

SPECIFICATIONS SUBJECT TO CHANGE WITHOUT NOTICE.

ELECTRICAL	A01 Series	A02 Series
Function: Current/voltage rating: Contact gap: Initial contact resistance: Insulation resistance: Dielectric strength: Electrical life: Insulation: Lamp life:	Momentary or maintained action 10 mA 5 VAC min. - 6 A 250 VAC max. .040" (1mm) double break 10 mΩ max. at 1 A 4 VDC 50 mΩ min. 750 V between open contacts 5,000 V live to accessible 50,000 cycles min. Class 2 LED: 60,000 hrs. min. to relative luminosity. Filament: approx 5,000 hrs. Neon: approx. 10,000 hrs.	Momentary or maintained action 25mA 5 VAC min. - 12 A 380 VAC or 16 A 250 VAC max. .040" (1mm)- 2 contact pairs w/ 10 mΩ max. at 1 A 4 VDC 50 mΩ min. 2,000 V between open contacts 4,000 V live to accessible 50,000 cycles min. Class 2 LED: 60,000 hrs. min. to relative luminosity. Filament: approx 5,000 hrs. Neon: approx. 10,000 hrs.
GENERAL Mechanical life (min.): Operating temperature: Solder heat resistance: (IEC 68-2-20Tb, method 2): Degree of environmental protection (IEC 529): Shock & vibration (optional): Lamps: Switch terminals: Lamp terminals:	Momentary: 1 million cycles Maintained action: 100,000 cycles -20°C to +55°C 350°C, 5 seconds IP 65 front of panel IP 40 back of panel BS R1A 20 Midget grooved T1 3/4, filament, multi-chip LED or neon Solder/quick connect .110" (2.8mm) Solder/quick connect .110" (2.8mm)	Momentary: 1 million cycles Maintained action: 100,000 cycles Keylock & rotary: 100,000 cycles Keylock & rotary: 100,000 cycles -20°C to +85°C 350°C, 5 seconds IP 65 front of panel IP 40 back of panel BS R1A 20 Midget grooved T1 3/4, filament, multi-chip LED or neon or special multi-LED assembly M3 screws - wire 2 x .030" (0.75mm) - 2 max. M3 screws - flexible wire 2 x .098" ² (mm ²) max. Rigid wire .157" ² (2mm ²) max.
MATERIALS Operator body & parts: Switch body & cover: Actuator: Seals: Contacts: Contact carriers: Reflector, diffuser & screen: Retaining nut: Screws and clamps:	Flame retardant PBT Flame retardant PBT Flame retardant PBT Silicon rubber or Nitrile Gold plated silver Brass with silver plate and gold flash Flame retardant polycarbonate ABS -	Flame retardant polyetherimide Flame retardant PBT Flame retardant PBT Silicon rubber or Nitrile Silver Brass with silver plate Flame retardant polycarbonate ABS Zinc plated steel w/clear passivation

K