

A01 SERIES

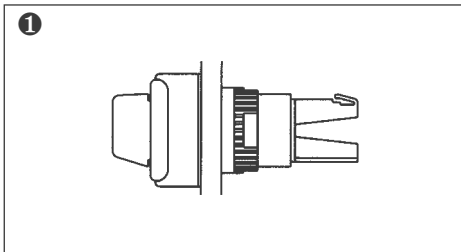
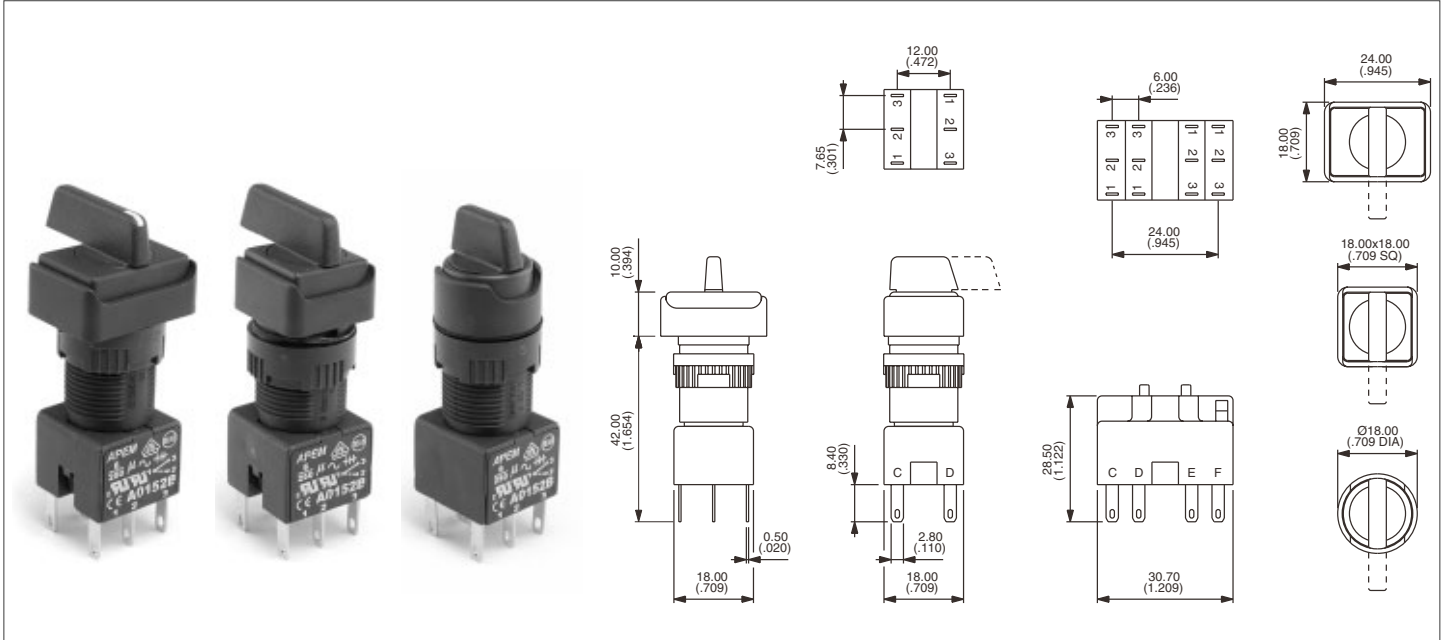
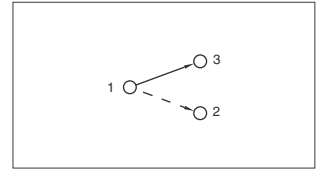
ROTARY LEVER SWITCHES

Panel cut-out Ø 16 (.630)

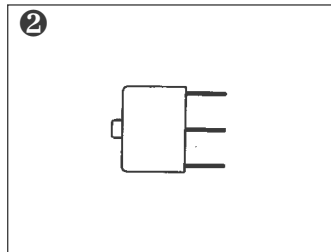
A rotary lever switch assembly requires :
operator + switch block.

To order these elements, select desired model numbers from tables below.

Example : IP65 rectangular rotary switch with long lever, clockwise rotation, single pole, 2 positions, maintained = A019109 and A0151B.

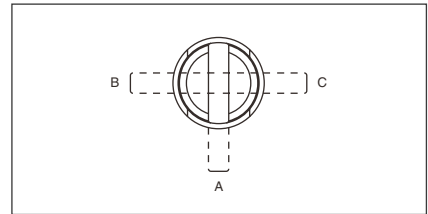


Operator



Switch block

Lever Positions



• Lever Rotation - 2 position switches

The model numbers shown are for switches with clockwise lever rotation.

For anticlockwise rotation, replace :

- | | | |
|----|------|----|
| 09 | with | 01 |
| 10 | with | 02 |
| 11 | with | 03 |
| 12 | with | 04 |

at the end of the model number.

Optional Engraving on Lever end

See above photo left.

To order, add "WL" to the end of the part No.

Example : A019609WL..

| Pole | Bezel | Description | Short lever | Long lever | No of poles | Part No |
|--------|-------|--------------------|-------------|------------|-------------|----------|
| 1 or 2 | □ | 2 pos. maintained | A019209 | A019109• | Single pole | A0151BUL |
| 1 or 2 | □ | 2 pos. momentary | A019210 | A019110• | Double pole | A0152BUL |
| 3 or 4 | □ | 2 pos. maintained | A019211 | A019111• | Three pole | A0155BUL |
| 3 or 4 | □ | 2 pos. momentary | A019212 | A019112• | Four pole | A0153BUL |
| 1 or 2 | □ | 3 pos. maintained | A019205 | A019105 | | |
| 1 or 2 | □ | 3 pos. momentary | A019206 | A019106 | | |
| 1 or 2 | □ | 3 pos. mainL, momR | A019207 | A019107 | | |
| 1 or 2 | □ | 3 pos. momL, mainR | A019208 | A019108 | | |
| 1 or 2 | □ | 2 pos. maintained | A019409 | A019309• | | |
| 1 or 2 | □ | 2 pos. momentary | A019410 | A019310• | | |
| 3 or 4 | □ | 2 pos. maintained | A019411 | A019311• | | |
| 3 or 4 | □ | 2 pos. momentary | A019412 | A019312• | | |
| 1 or 2 | □ | 3 pos. maintained | A019405 | A019305 | | |
| 1 or 2 | □ | 3 pos. momentary | A019406 | A019306 | | |
| 1 or 2 | □ | 3 pos. mainL, momR | A019407 | A019307 | | |
| 1 or 2 | □ | 3 pos. momL, mainR | A019408 | A019308 | | |
| 1 or 2 | ○ | 2 pos. maintained | A019609 | A019509• | | |
| 1 or 2 | ○ | 2 pos. momentary | A019610 | A019510• | | |
| 3 or 4 | ○ | 2 pos. maintained | A019611 | A019511• | | |
| 3 or 4 | ○ | 2 pos. momentary | A019612 | A019512• | | |
| 1 or 2 | ○ | 3 pos. maintained | A019605 | A019505 | | |
| 1 or 2 | ○ | 3 pos. momentary | A019606 | A019506 | | |
| 1 or 2 | ○ | 3 pos. mainL, momR | A019607 | A019507 | | |
| 1 or 2 | ○ | 3 pos. momL, mainR | A019608 | A019508 | | |

Bezel: □ rectangular, □ square, ○ round, 'pos' - position, 'mainL' - maintained left, 'momR' - momentary right, etc