

Carling Technologies full or half hexboot is the perfect complement to Carling's line of toggle switches. The boot is compatible with 15/32" threaded bushings and will provide extra protection against the elements in harsh environments.

Product Highlights:

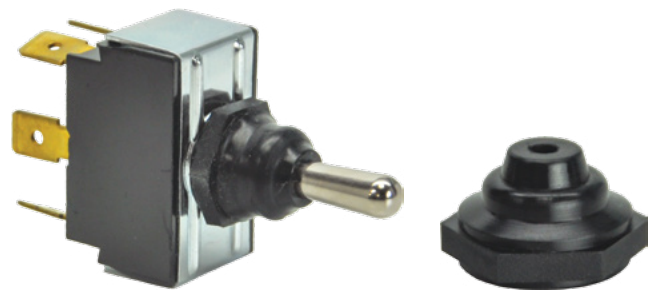
- Flexible tear-resistant silicone rubber overmolded onto a 15/32" brass hexnut
- Full hexboot completely covers toggle actuator and bushing
- Meets ROHS 2011/65/EU directive
- Inhibits the rotation of switches subjected to low frequency vibration
- Complementary, cost effective addition to Carling's toggle switches
- Suitable for toggle models: F-Series, G-Series, 110-Series, C-Series, D-Series, DK/EK-Series, H/I-Series, LT-Series

Full Hexboot



Part #: 999-37246-001

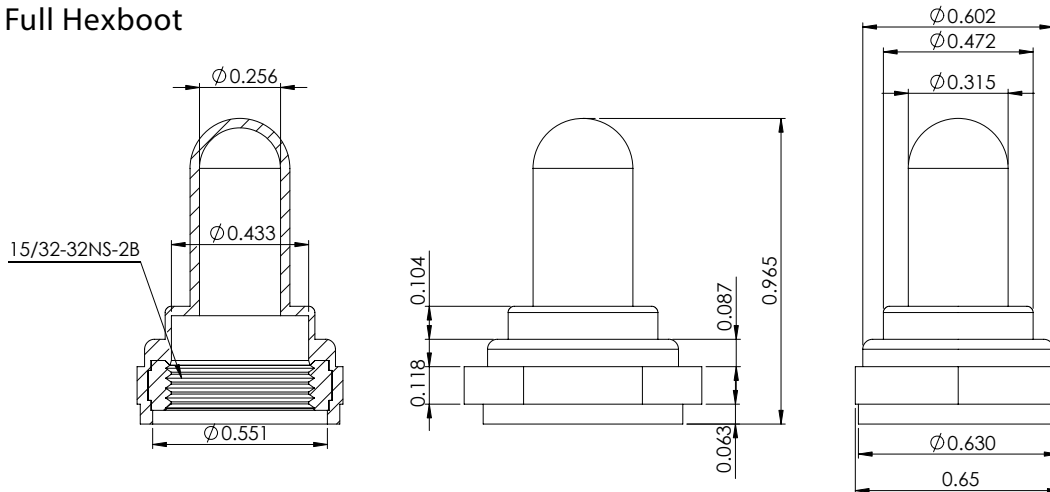
Half Hexboot



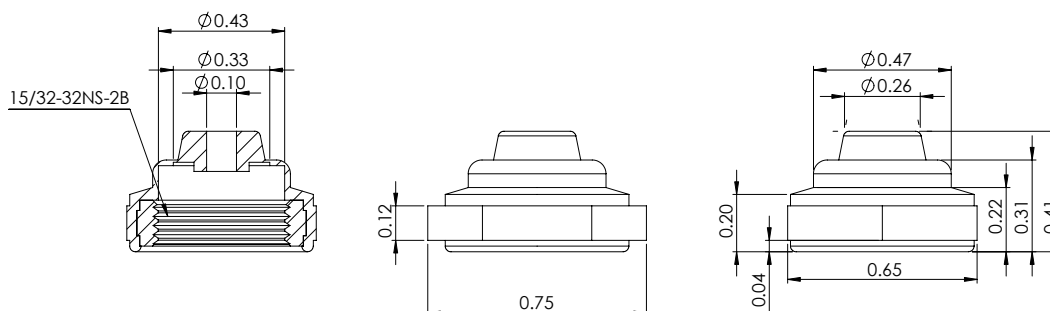
Part #: 999-37245-001

Dimensional Specifications: in. [mm]

Full Hexboot



Half Hexboot



*Manufacturer reserves the right to change product specification without prior notice.

Mouser Electronics

Authorized Distributor

Click to View Pricing, Inventory, Delivery & Lifecycle Information:

[Carling Technologies:](#)

[999-37245-001](#) [999-37246-001](#)