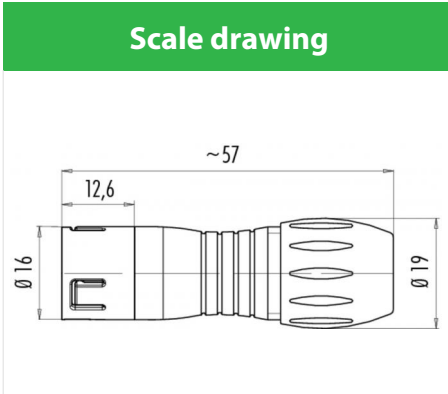


| | |
|---------------------|---|
| Product description | Contacts: 12, male cable connector, cable outlet 6 - 8 mm, lightgrey |
| Area | Snap-in IP67, miniature Series 720 MED |
| Order number | 99 9133 402 12 |



Contact arrangement

| | X | Y |
|----|-------|-------|
| 1 | 0,00 | -3,70 |
| 2 | 2,62 | -2,62 |
| 3 | 3,70 | 0,00 |
| 4 | 2,62 | 2,62 |
| 5 | 0,00 | 3,70 |
| 6 | -2,62 | 2,62 |
| 7 | -3,70 | 0,00 |
| 8 | -2,62 | -2,62 |
| 9 | -1,79 | -0,74 |
| 10 | 0,74 | -1,79 |
| 11 | 1,79 | 0,74 |
| 12 | -0,74 | 1,79 |

You can find the component part drawing and assembly instructions on the next page.

Technical data

General values

| | |
|--------------------------|----------------------|
| Connector design | cable connector |
| Connector locking system | snap |
| Termination | solder |
| Wire gauge (mm) | 0,25 mm ² |
| Wire gauge (AWG) | 24 |
| Cable outlet | 6,0 - 8,0 mm |
| Upper limit temperature | 85 °C |
| Lower limit temperature | -40 °C |

Electrical values

| | |
|---------------------------|----------------------|
| Rated current (40 °C) | 2 A |
| Rated voltage | 60 V |
| Rated impulse voltage | 800 V |
| Pollution degree | 2 |
| Overvoltage category | II |
| Insulating material group | II |
| Volume resistivity | ≤ 3 mΩ |
| Insulation resistance | ≥ 10 ¹⁰ Ω |
| EMC compliance | not shielded |
| Degree of protection | IP67 |
| Mechanical operation | > 500 Mating cycles |

Material

| | |
|-----------------------|----------------|
| Contact material | CuZn (brass) |
| Contact plating | Au (gold) |
| Contact body material | PA (UL 94 V-0) |
| Housing material | PA |

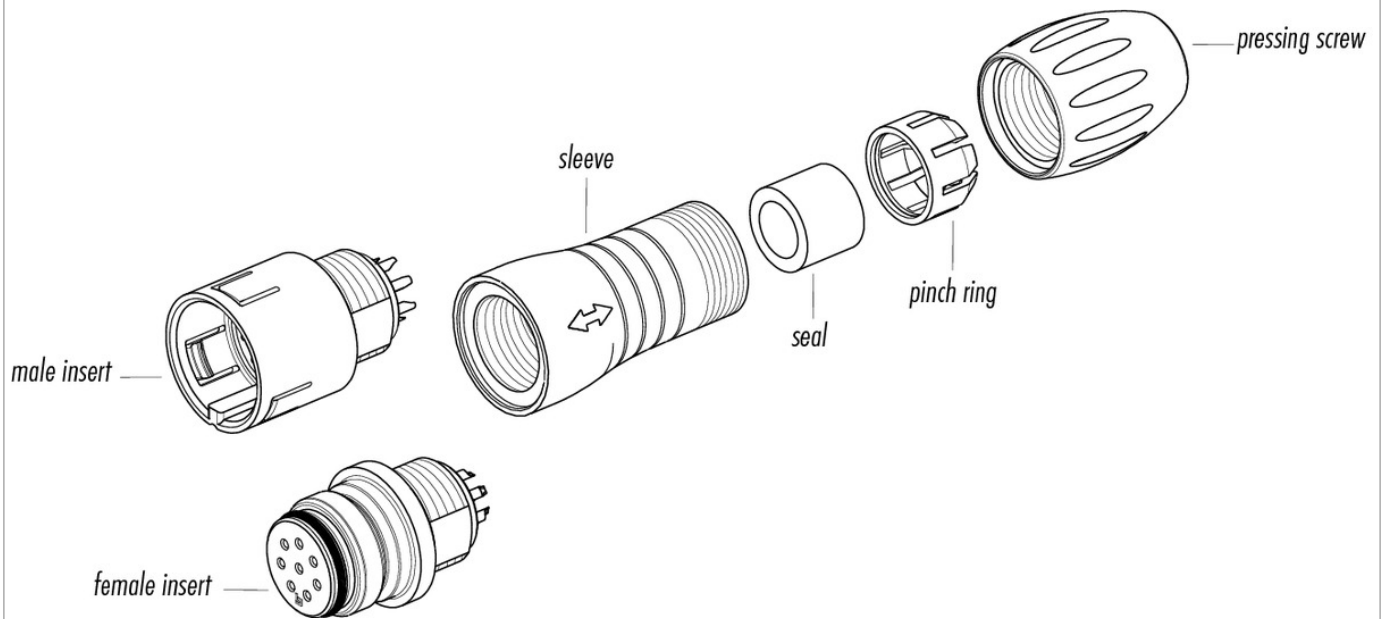
Product description

Contacts: 12, male cable connector, cable outlet 6 - 8 mm, lightgrey

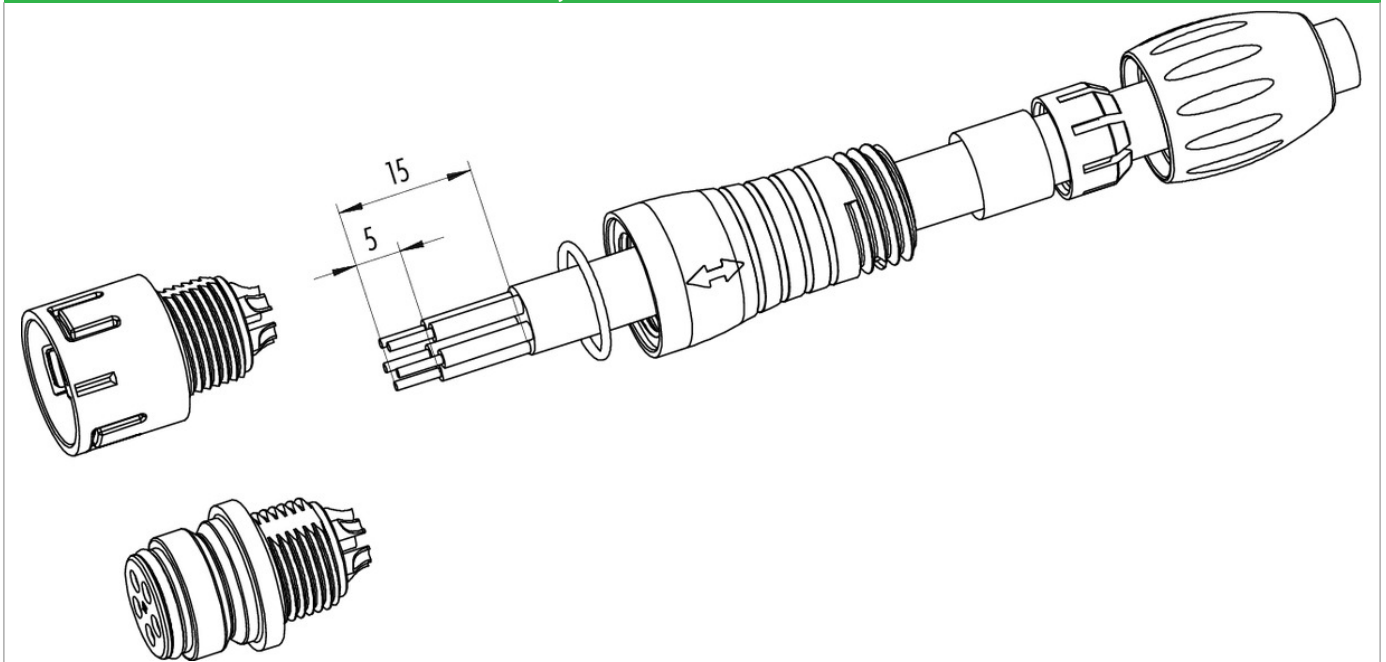
Area
Order number

Snap-in IP67, miniature Series 720 MED
99 9133 402 12

Component part drawing



Assembly instructions / Panel cut-out



| | |
|---------------------|---|
| Product description | Contacts: 12, male cable connector, cable outlet 6 - 8 mm, lightgrey |
| Area | Snap-in IP67, miniature Series 720 MED |
| Order number | 99 9133 402 12 |

Security notices

The connectors are designed for use in plant, control system and electrical equipment. The end user is responsible for checking whether the connectors are suitable for use in other applications. Connectors with degree of protection IP 67 and IP 68 are not suitable for use under water. When used outdoors, the connectors must be separately protected against corrosion. For further information about IP degrees of protection refer to 'Technical support' in the Download Centre.