

Product description	Snap-In IP67 male cable connector, Contacts: 12, 2.5 - 4.0 mm, unshielded, solder, IP67, VDE
Area	Snap-In IP67 series 720
Order number	99 9133 03 12

Illustration	Scale drawing	Contact arrangement (Plug-in side)

You can find the component part drawing and assembly instructions on the next page.

Technical data

General features

Order number	99 9133 03 12
Connector design	male cable connector
Version	connector male
Connector locking system	straight
Termination	snap
Degree of protection	solder
Cross-sectional area	IP67
Cable outlet	max. 0.25 mm ² / max.
Temperature range from/to	AWG 24
Mechanical operation	2.5 - 4.0 mm
Weight (g)	-25 °C / 85 °C
Customs tariff number	> 500 Mating cycles
	8.982
	85369010

Electrical parameters

Rated voltage	60 V
Rated impulse voltage	800 V
Rated current (40 °C)	2 A
Insulation resistance	≥ 10 ¹⁰ Ω
Pollution degree	2
Overvoltage category	II
Insulating material group	II
EMC compliance	unshielded

Material

Housing material	PA
Contact body material	PA (UL94 V-0) black
Contact material	CuZn (brass)
Contact plating	Au (gold)
REACH SVHC	CAS 7439-92-1 (Lead)

Authorization/approvals

Approval 1	VDE
------------	-----

Classifications

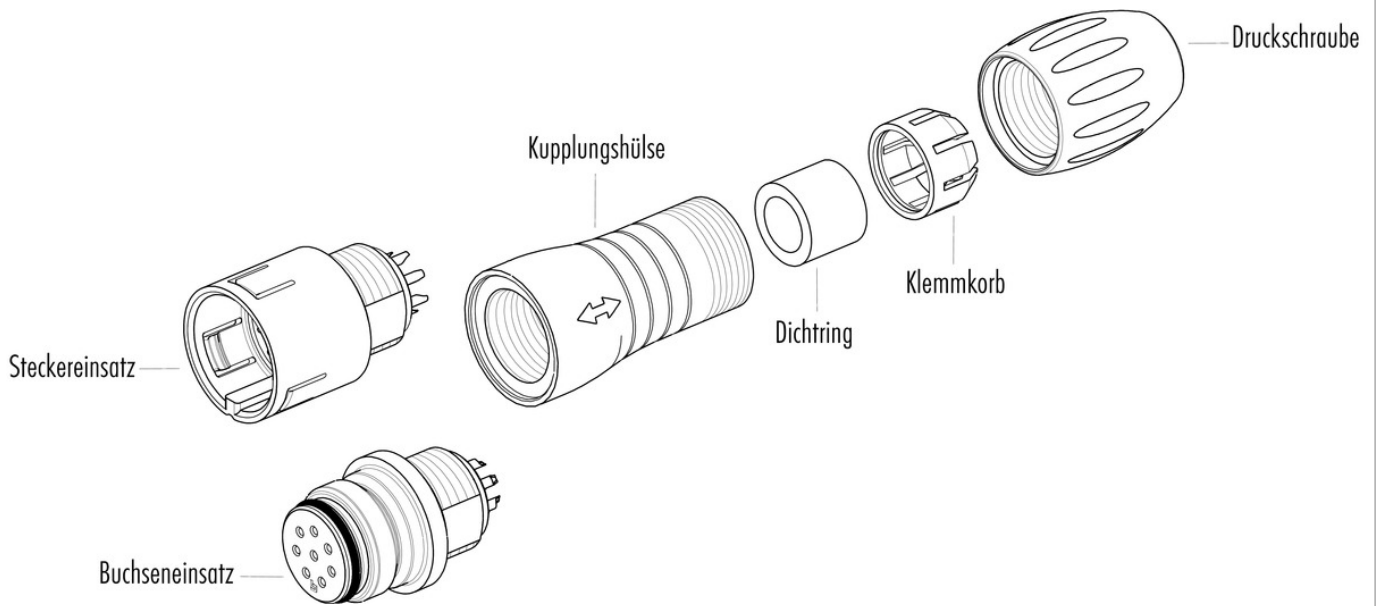
eCl@ss 11.1	27-44-01-02
ETIM 7.0	EC002635

Declarations of conformity

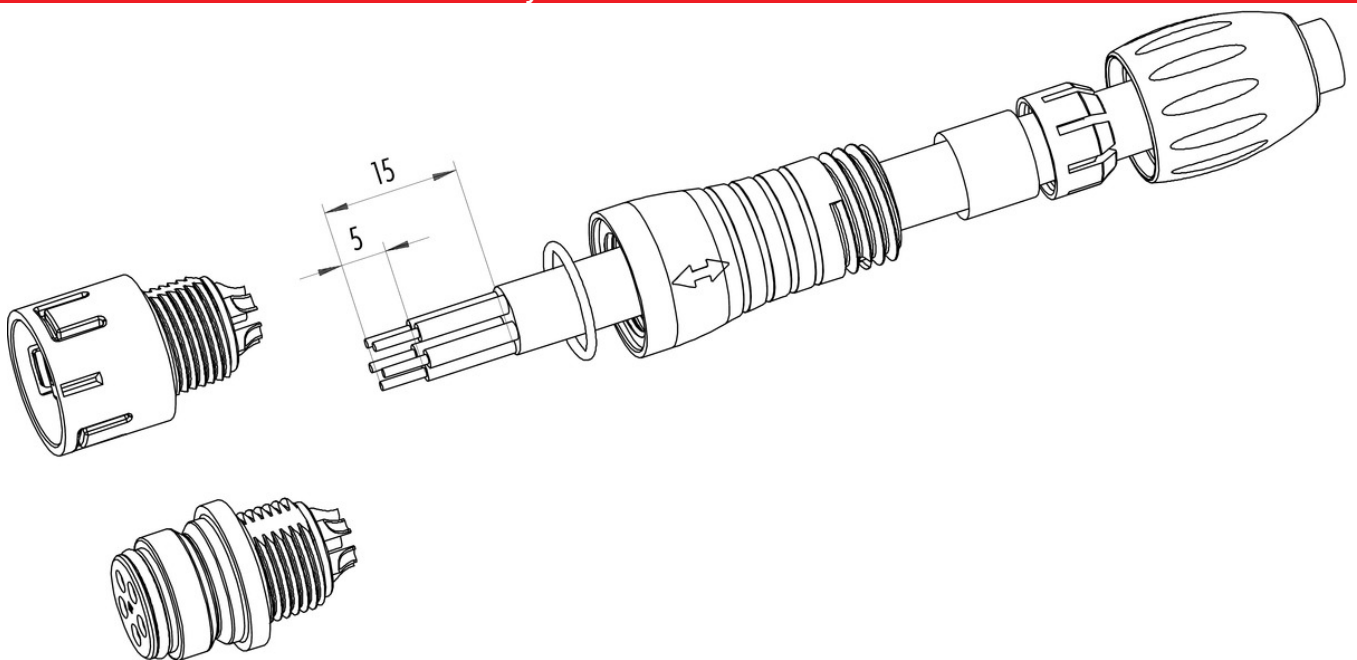
Low Voltage Directive	2014/35/EU (EN 60204-1:2018;EN 60529:1991)
-----------------------	--

Product description	Snap-In IP67 male cable connector, Contacts: 12, 2.5 - 4.0 mm, unshielded, solder, IP67, VDE
Area	Snap-In IP67 series 720
Order number	99 9133 03 12

Component part drawing



Assembly instructions / Panel cut-out



Product description	Snap-In IP67 male cable connector, Contacts: 12, 2.5 - 4.0 mm, unshielded, solder, IP67, VDE
Area	Snap-In IP67 series 720
Order number	99 9133 03 12

Security notices

The connectors have been developed for applications in plant engineering, control and electrical equipment construction. The user is responsible for checking whether the connectors can also be used in other areas of application.

Plug connectors with enclosure protection IP 67 and IP 68 are not suitable for use under water. When used outdoors, the plug connectors must be protected separately against corrosion. For further information on the IP protection classes, please refer to the "Technical Information" download centre.