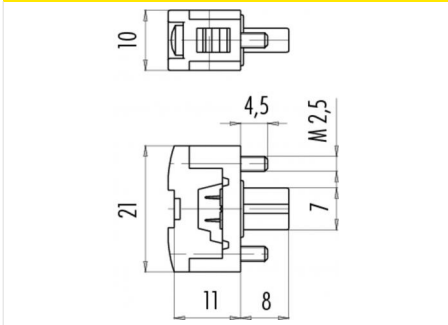


Product description	M12-A female cable connector, Contacts: 2, not shielded, solder, IP67
Area	M12-A series 775
Order number	99 6442 00 02

Illustration



Scale drawing



Technical data

General values

Connector design	female cable connector
Connector locking system	ribbon cable terminal
Termination	solder
Wire gauge (mm)	AS-Interface 1.50 mm ²
Wire gauge (AWG)	AS-Interface 16
Upper limit temperature	70 °C
Lower limit temperature	- 25 °C
Customs tariff number	85369010
Packaging Unit	100

Electrical values

Rated current (40 °C)	2 A (per contact)
Rated voltage	30 V
Rated impulse voltage	500 V
Pollution degree	3
Insulation resistance	≥ 10 ¹⁰ Ω
EMC compliance	not shielded
Degree of protection	IP67

Material

Contact material	CuSn (bronze)
Contact plating	Au (gold)
Contact body material	PA
Housing material	PA

Product description	M12-A female cable connector, Contacts: 2, not shielded, solder, IP67
Area	M12-A series 775
Order number	99 6442 00 02

Security notices

The connectors are designed for use in plant, control system and electrical equipment. The end user is responsible for checking whether the connectors are suitable for use in other applications. Connectors with degree of protection IP 67 and IP 68 are not suitable for use under water. When used outdoors, the connectors must be separately protected against corrosion. For further information about IP degrees of protection refer to 'Technical support' in the Download Centre.