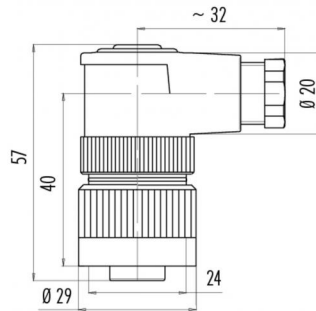


Product description **RD24 female angled connector, Contacts: 6+PE, 6.0 - 8.0 mm, shielding is not possible, screw clamp, IP67, UL, ESTI+, VDE, PG9**
 Area **RD24 series 693**
 Order number **99 4218 70 07**

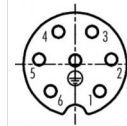
Illustration



Scale drawing



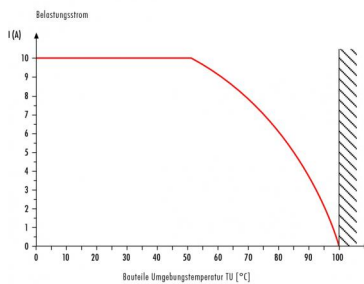
Contact arrangement



	X	Y
1	3,25	-3,54
2	4,76	0,63
3	2,22	4,26
4	-2,22	4,26
5	-4,76	0,63
6	-3,25	-3,54
PE	0,00	0,50

1
2
3
4
5
6
⊕ grün/gelb

Derating curve



You can find the component part drawing and assembly instructions on the next page.

Technical data

General values

Connector design female angled connector
 Connector locking system screw
 Termination screw clamp
 Wire gauge (mm) max. 1.50 mm²
 Wire gauge (AWG) max. 16
 Cable outlet 6.0 - 8.0 mm
 Upper limit temperature 100 °C
 Lower limit temperature - 40 °C
 Customs tariff number 85369010
 Packaging Unit 40

Cable data

Approval 1 UL
 Approval 2 ESTI+
 Approval 3 VDE

Electrical values

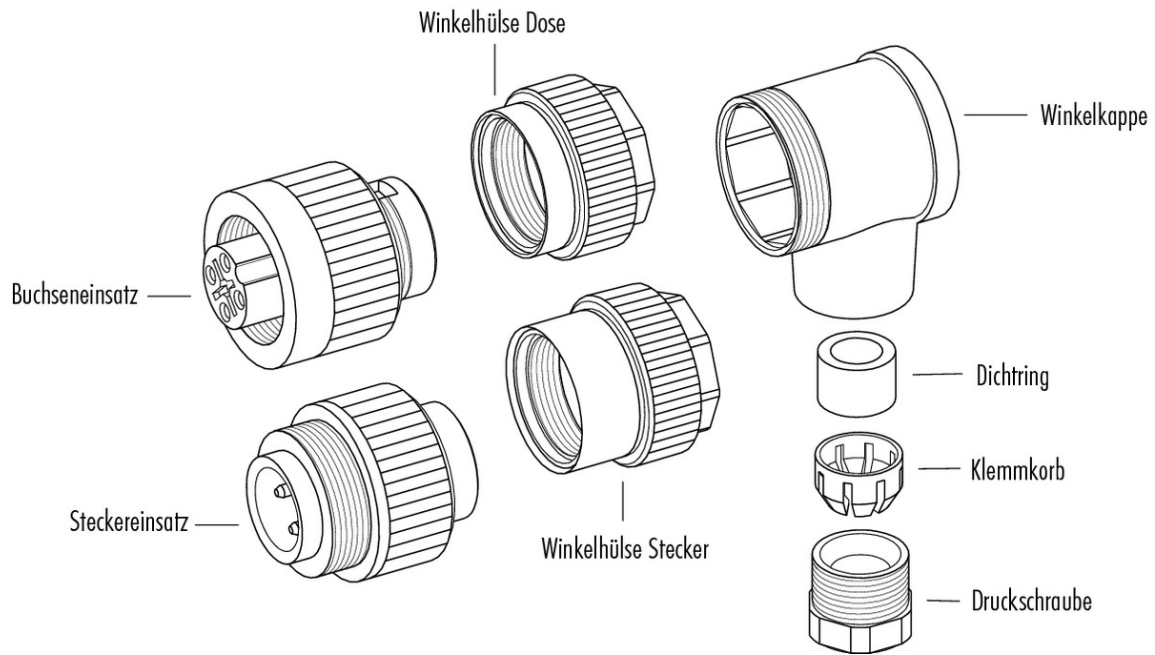
Rated current (40 °C) 10 A (8 A UL)
 Rated voltage 250 V
 Rated impulse voltage 4000 V
 Pollution degree 3
 Overvoltage category III
 Insulating material group III
 Insulation resistance $\geq 10^{10} \Omega$
 EMC compliance shielding is not possible
 Degree of protection IP67
 Degree of protection 2 IP65 with cable diameter 6-7 mm
 Mechanical operation IP65 with cable diameter 6-7 mm
 > 500 Mating cycles

Material

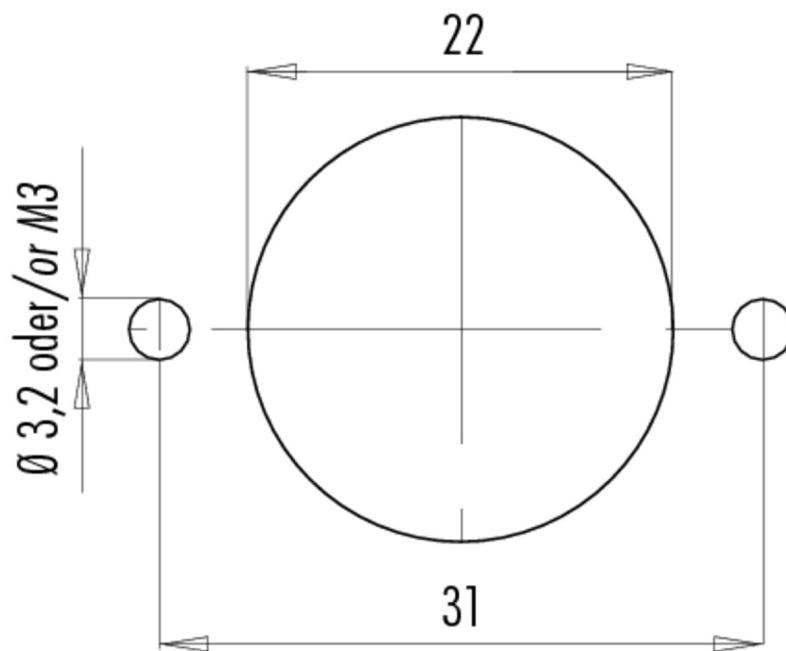
Contact material CuSn (bronze)
 Contact plating Ag (silver)
 Contact body material PBT (UL94 V-0)

Product description	RD24 female angled connector, Contacts: 6+PE, 6.0 - 8.0 mm, shielding is not possible, screw clamp, IP67, UL, ESTI+, VDE, PG9
Area	RD24 series 693
Order number	99 4218 70 07

Component part drawing



Assembly instructions / Panel cut-out



Product description	RD24 female angled connector, Contacts: 6+PE, 6.0 - 8.0 mm, shielding is not possible, screw clamp, IP67, UL, ESTI+, VDE, PG9
Area	RD24 series 693
Order number	99 4218 70 07

Security notices

The connector must not be connected or separated under load. Non-observance and incorrect use can result in personal injury.

The connectors are designed for use in plant, control system and electrical equipment. The end user is responsible for checking whether the connectors are suitable for use in other applications.

To prevent the connector being opened unintentionally when used in electrical circuits containing hazardous life parts, the thread between the housing and the connector head must be secured using a suitable cyanoacrylate adhesive. This does not apply to connectors used in SELV and PELV circuits according to IEC 61140 (EN 61140, VDE 0140-1).

Connectors used in electrical circuits containing hazardous life parts must only be assembled and used by or under the supervision of persons with the requisite electrotechnical training, taking the applicable regulations and standards into account.

Connectors with degree of protection IP 67 and IP 68 are not suitable for use under water. When used outdoors, the connectors must be separately protected against corrosion. For further information about IP degrees of protection refer to 'Technical support' in the Download Centre.

To lock the cable connector to the equipment connector, the threaded ring is tightened until it is 'finger-tight' (approx. 50 cNm).