

THE INFORMATION CONTAINED IN THIS DRAWING IS THE SOLE PROPERTY OF ANDERSON POWER PRODUCTS. ANY REPRODUCTION IN PART OR WHOLE WITHOUT THE WRITTEN PERMISSION OF ANDERSON POWER PRODUCTS IS PROHIBITED.

**Copyright 2011**

ANDERSON POWER PRODUCTS RESERVES THE RIGHT TO ALTER PRODUCT TYPES, THEIR TECHNICAL DATA, DIMENSION, STYLE AND ACCESSORIES WITHOUT PRIOR NOTIFICATION.

D

C

B

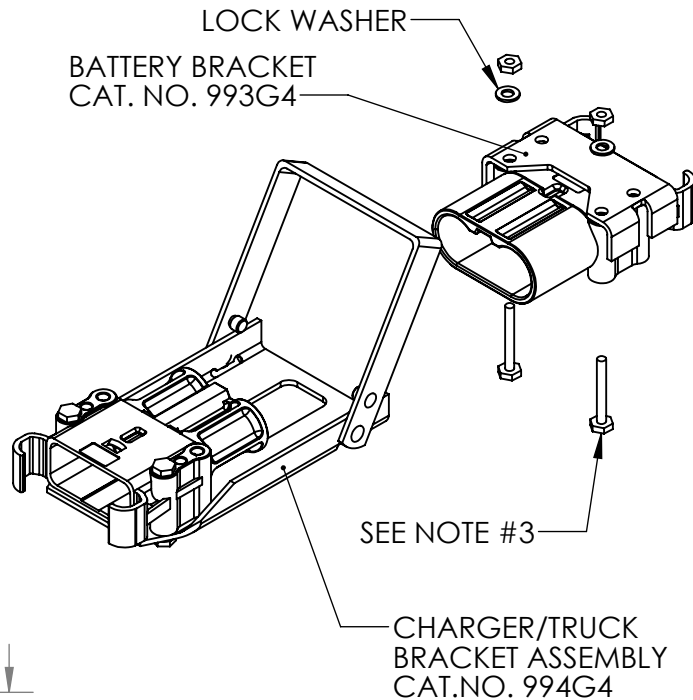
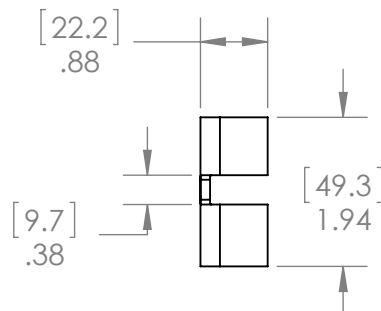
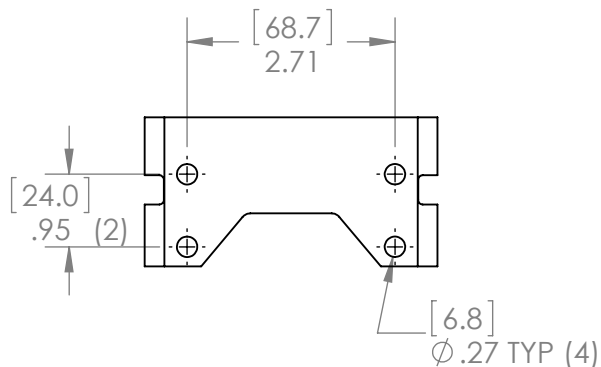
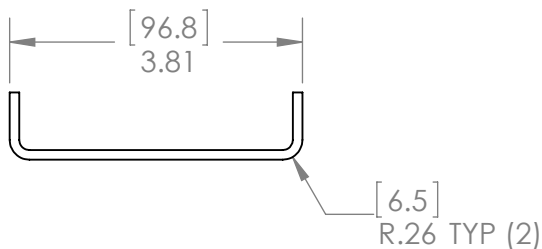
A

D

C

B

A



**NOTES:**

1. MATERIAL = .125 THK COLD ROLLED STEEL
2. FINISH = ELECTROSTATIC POWDER COAT EPOXY - CRIMSON
3. MOUNTING HARDWARE INCLUDED WITH CAT. NO.993G4 (BATTERY BRACKET)
4. USE WITH CAT .NO. 994G4 (CHARGER/TRUCK BRACKET ASSEMBLY)
5. CONNECTORS SOLD SEPARATELY

DIMENSIONS ARE IN:		INCH [MM]		<i>APPROVALS</i>		<b>ANDERSON POWER PRODUCTS</b>	
UNLESS OTHERWISE STATED				DRAWN	TWE	7/20/11	TITLE BATTERY BRACKET EBC-320 MANUAL RELEASE CATALOG NUMBER 993G4
TOLERANCES:				CHECKED	CMS	7/21/11	
DECIMALS (INCH)	DECIMALS (MM)	ANGLES		MFG APPRV	BD	7/21/11	
.XX ±.02	.X ±.5	±2°		QC APPRV	UFN	7/21/11	
SURFACE FINISH:				ENG APPRV	BD	7/21/11	
MACHINED 128µin [3.2µ]				MATERIAL:		SEE NOTES	
MOLDED 64µin [1.6µ]				FINISH:		SEE NOTES	
SIZE		DWG NO.		SCALE		CADFILE	
A		114530S2		NONE		03531	
REV.		SHEET		DO NOT MANUALLY UPDATE		DO NOT SCALE	
0		1 OF 1					

REV.	DESCRIPTION	APPRV	DATE
REVISIONS			