

Product description	M12-D female angled connector, Contacts: 4, 6.0 - 8.0 mm, shieldable, screw clamp, IP67, UL
Area	M12-D series 825
Order number	99 3730 820 04

Illustration	Scale drawing	Contact arrangement															
		<table border="1" style="margin: 10px;"> <thead> <tr> <th></th> <th>X</th> <th>Y</th> </tr> </thead> <tbody> <tr> <td>1</td> <td>-2,50</td> <td>0,00</td> </tr> <tr> <td>2</td> <td>0,00</td> <td>2,50</td> </tr> <tr> <td>3</td> <td>2,50</td> <td>0,00</td> </tr> <tr> <td>4</td> <td>0,00</td> <td>-2,50</td> </tr> </tbody> </table> <ul style="list-style-type: none"> 1 gelb 2 weiß 3 orange 4 blau 		X	Y	1	-2,50	0,00	2	0,00	2,50	3	2,50	0,00	4	0,00	-2,50
	X	Y															
1	-2,50	0,00															
2	0,00	2,50															
3	2,50	0,00															
4	0,00	-2,50															

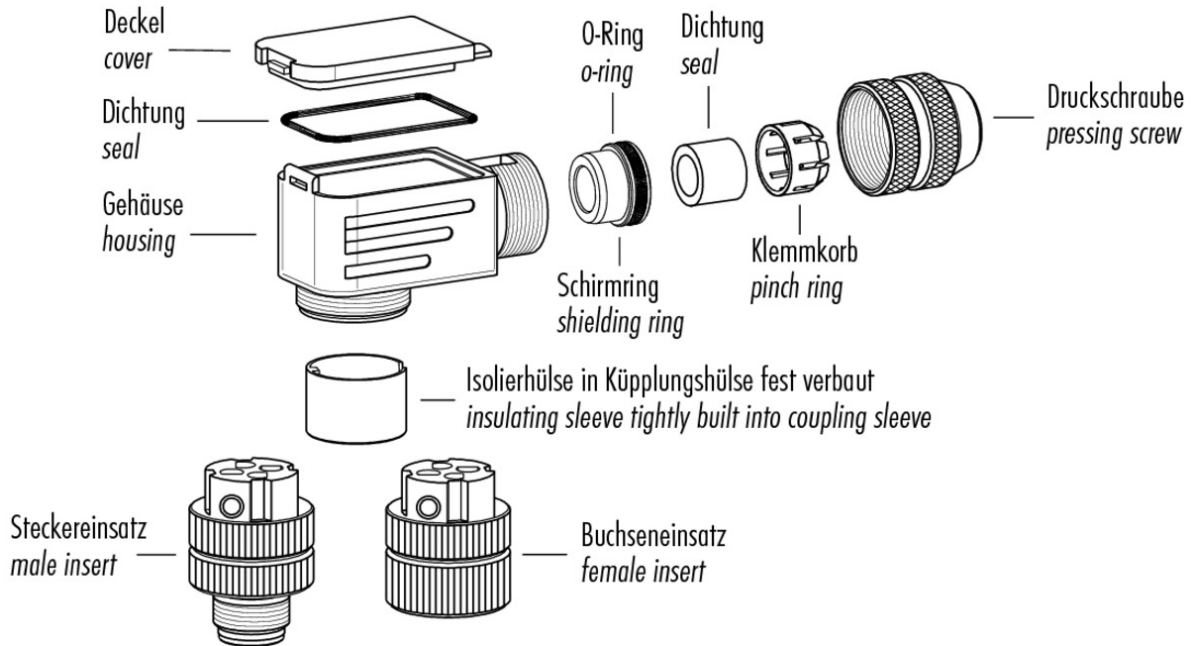
You can find the component part drawing and assembly instructions on the next page.

Technical data

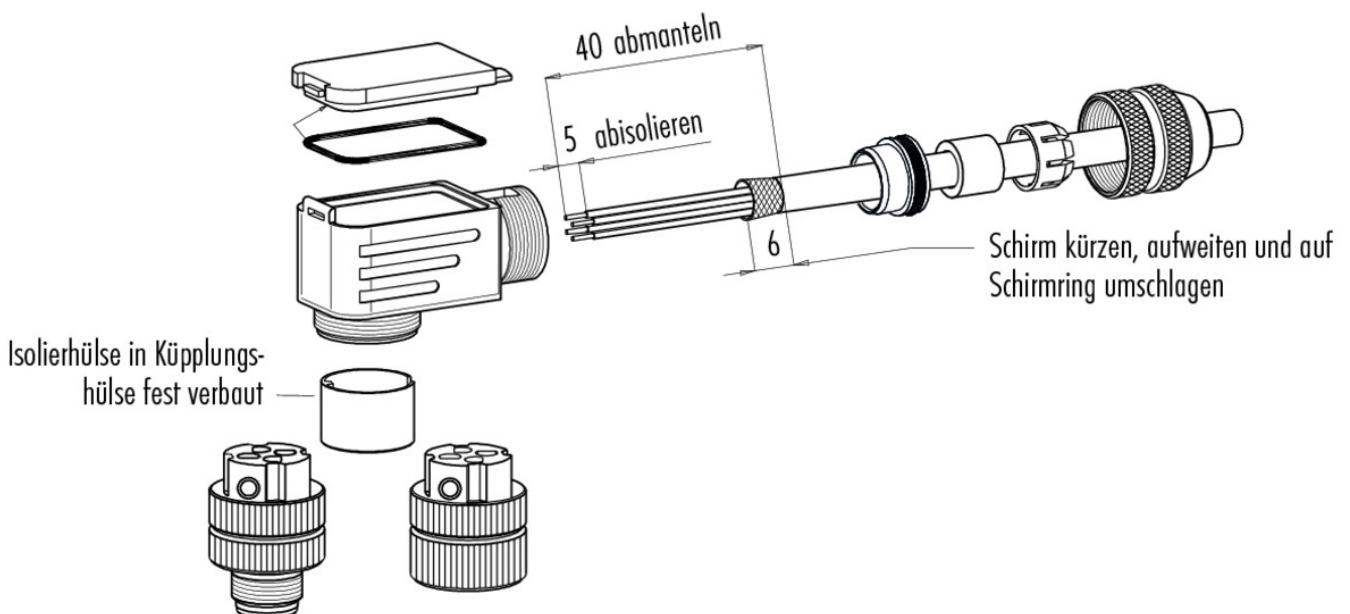
<h3 style="color: #e91e63; margin: 0;">General values</h3> <p>Connector design: female angled connector Connector locking system: screw Termination: screw clamp Wire gauge (mm): 0.75 mm² Wire gauge (AWG): 18 Cable outlet: 6.0 - 8.0 mm Upper limit temperature: 85 °C Lower limit temperature: - 40 °C category: CAT 5 Customs tariff number: 85369010 Packaging Unit: 50</p>	<h3 style="color: #e91e63; margin: 0;">Electrical values</h3> <p>Rated current (40 °C): 4 A Rated voltage: 250 V Rated impulse voltage: 2500 V Pollution degree: 3 Overvoltage category: II Insulating material group: III Insulation resistance: ≥ 10¹⁰ Ω EMC compliance: shieldable Degree of protection: IP67 Mechanical operation: > 100 Mating cycles</p>
<h3 style="color: #e91e63; margin: 0;">Cable data</h3> <p>Approval 1: UL</p>	<h3 style="color: #e91e63; margin: 0;">Material</h3> <p>Contact material: CuZn (brass) Contact plating: Au (gold) Contact body material: PA Housing material: Zinc die-cast nickel-plated</p>

Product description	M12-D female angled connector, Contacts: 4, 6.0 - 8.0 mm, shieldable, screw clamp, IP67, UL
Area	M12-D series 825
Order number	99 3730 820 04

Component part drawing



Assembly instructions / Panel cut-out



Product description	M12-D female angled connector, Contacts: 4, 6.0 - 8.0 mm, shieldable, screw clamp, IP67, UL
Area	M12-D series 825
Order number	99 3730 820 04

Security notices

The connector must not be connected or separated under load. Non-observance and incorrect use can result in personal injury.

The connectors are designed for use in plant, control system and electrical equipment. The end user is responsible for checking whether the connectors are suitable for use in other applications.

To prevent the connector being opened unintentionally when used in electrical circuits containing hazardous life parts, the thread between the housing and the connector head must be secured using a suitable cyanoacrylate adhesive. This does not apply to connectors used in SELV and PELV circuits according to IEC 61140 (EN 61140, VDE 0140-1).

Connectors used in electrical circuits containing hazardous life parts must only be assembled and used by or under the supervision of persons with the requisite electrotechnical training, taking the applicable regulations and standards into account.

Connectors with degree of protection IP 67 and IP 68 are not suitable for use under water. When used outdoors, the connectors must be separately protected against corrosion. For further information about IP degrees of protection refer to 'Technical support' in the Download Centre.

To lock the cable connector to the equipment connector, the threaded ring is tightened until it is 'finger-tight' (approx. 50 cNm).