

Product description	M8 female cable connector, Contacts: 4, 3.5 - 5.0 mm, not shielded, screw clamp, IP67, UL listed
Area	M8 series 768
Order number	99 3376 100 04

Illustration	Scale drawing	Contact arrangement															
		<table border="1" style="margin-left: auto; margin-right: auto;"> <thead> <tr> <th></th> <th>X</th> <th>Y</th> </tr> </thead> <tbody> <tr> <td>1</td> <td>1,70</td> <td>-0,50</td> </tr> <tr> <td>2</td> <td>1,08</td> <td>1,45</td> </tr> <tr> <td>3</td> <td>-1,70</td> <td>-0,50</td> </tr> <tr> <td>4</td> <td>-1,08</td> <td>1,45</td> </tr> </tbody> </table>		X	Y	1	1,70	-0,50	2	1,08	1,45	3	-1,70	-0,50	4	-1,08	1,45
	X	Y															
1	1,70	-0,50															
2	1,08	1,45															
3	-1,70	-0,50															
4	-1,08	1,45															

You can find the component part drawing and assembly instructions on the next page.

Technical data

General values

Connector design	female cable connector
Connector locking system	screw
Termination	screw clamp
Wire gauge (mm)	0.14 - 0.50 mm ²
Wire gauge (AWG)	26 - 20
Cable outlet	3.5 - 5.0 mm
Upper limit temperature	85 °C
Lower limit temperature	- 40 °C
Customs tariff number	85369010
Packaging Unit	100

Electrical values

Rated current (40 °C)	4 A
Rated voltage	60 V
Rated impulse voltage	1500 V
Pollution degree	3
Overvoltage category	III
Insulating material group	III
EMC compliance	not shielded
Degree of protection	IP67
Mechanical operation	> 100 Mating cycles

Cable data

Approval 1	UL listed
------------	-----------

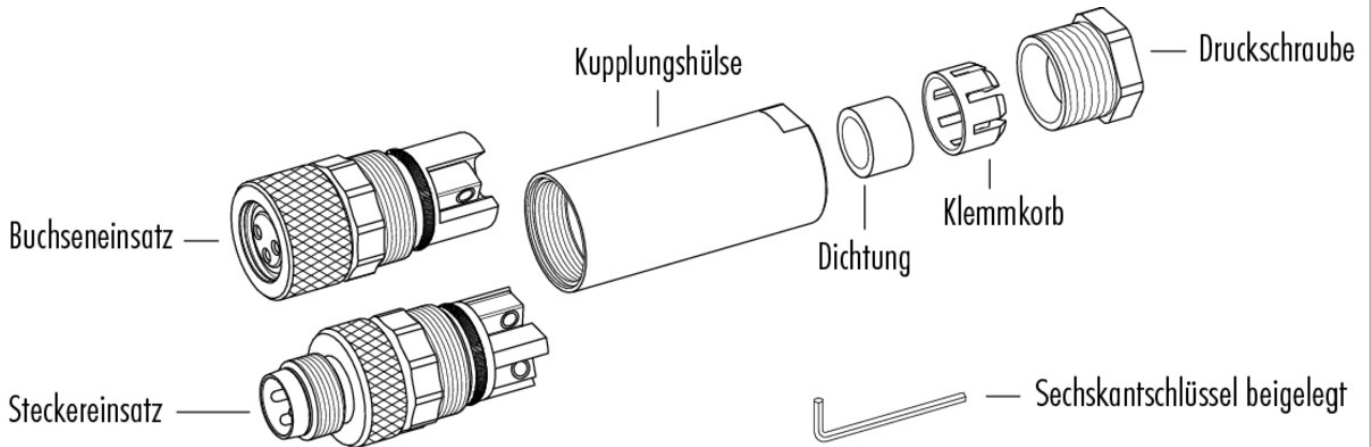
Material

Contact material	CuSn (bronze)
Contact plating	Au (gold)
Contact body material	PA
Housing material	PA

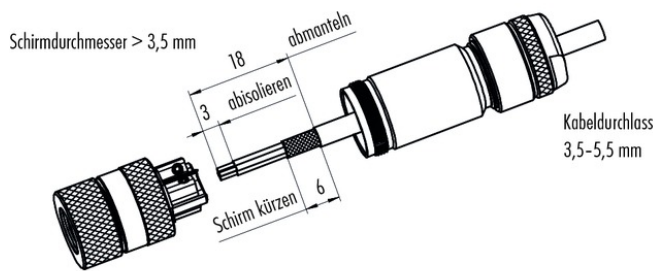
Product description **M8 female cable connector, Contacts: 4, 3.5 - 5.0 mm, not shielded, screw clamp, IP67, UL listed**

Area **M8 series 768**
Order number **99 3376 100 04**

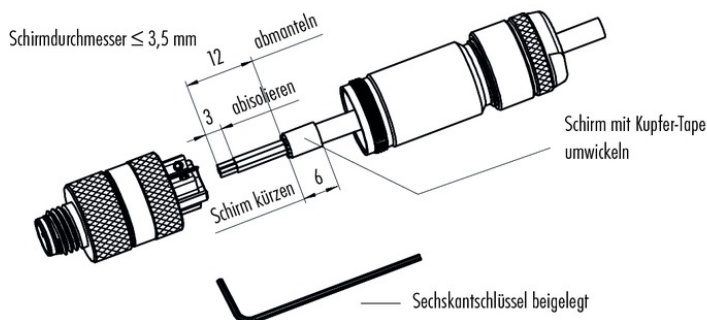
Component part drawing



Assembly instructions / Panel cut-out



1. Gehäuse auf Kabel auffädeln.
2. Abisolieren, Schirm kürzen.
3. Litzen anschließen.
4. Gehäuse mit Stecker- bzw. Buchseneinsatz verschrauben und Druckschraube festdrehen.



1. Gehäuse auf Kabel auffädeln.
2. Abisolieren, Schirm kürzen, Schirm über Kabelmantel legen und mit einem Kupfer-Tape umwickeln.
3. Litzen anschließen.
4. Gehäuse mit Stecker- bzw. Buchseneinsatz verschrauben und Druckschraube festdrehen.

Product description	M8 female cable connector, Contacts: 4, 3.5 - 5.0 mm, not shielded, screw clamp, IP67, UL listed
Area	M8 series 768
Order number	99 3376 100 04

Security notices

The connectors are designed for use in plant, control system and electrical equipment. The end user is responsible for checking whether the connectors are suitable for use in other applications.

Connectors with degree of protection IP 67 and IP 68 are not suitable for use under water. When used outdoors, the connectors must be separately protected against corrosion. For further information about IP degrees of protection refer to 'Technical support' in the Download Centre.

To lock the cable connector to the equipment connector, the threaded ring is tightened until it is 'finger-tight' (approx. 50 cNm).