

91H Series Circuit Breakers



These thermal-magnetic circuit breakers mount on 35mm DIN rail and are available in 1, 2 and 3 pole configurations. Features include:

- CSA 277Vac (1 pole) or 480Vac (2 and 3 pole) up to 63A
- CSA 600V up to 32A
- interrupting capacity up to 10KA
- also VDE and UL approved
- toggle mechanism
- thermal-magnetic operation
- 18mm wide per pole
- optional bus bars for power distribution

United States

Weidmuller Inc.
821 Southlake Blvd.
Richmond, Virginia 23236
Telephone: (800) 849-9343
Facsimile: (804) 379-2593
Email: info@weidmuller.com
Website: www.weidmuller.com

Canada

Weidmuller Ltd.
10 Spy Court
Markham, Ontario L3R 5H6
Telephone: (800) 268-4080
Facsimile: (905) 475-2798
Email: info1@weidmuller.ca
Website: www.weidmuller.ca

Mexico

Weidmuller, S.A. de C.V.
5 Sur No. 4311
Col. Huexotitla
72534 Puebla, Pue. Mexico
Telephone: (22) 37 2549
Facsimile: (22) 43 1981
Email: weidmull@acnet.net

91H Series Circuit Breakers

Technical data	
Current ratings	0.5A to 63A
Maximum voltage rating	AC 277/480V or AC347/600 (see below)
Temperature range	
operating temperature	-25°C to +55°C (-13°F to +131°F)
storage temperature	-55°C to +55°C (-67°F to +131°F)
Insulation resistance	>100 MΩ at 500Vdc
Typical life	4000 operations
	mechanical: 10000 operations
Vibration	3g (10 to 55Hz) to IEC 68-2-6
Shock	20g (10ms)
Weight	1 pole: 130g, 2 pole: 280g, 3 pole: 430g
Cable size	max. 35mm ² / AWG 2 (LINE) max. 25mm ² / AWG 3 (LOAD) max. 2.5mm ² / AWG 13 (aux. circuit)
Strip length	12mm
Torque	2Nm

Switching capacities	
Current ratings	max. rupture capacity (3X)
0.5...20A	10000A (VDE), 10000A (CSA)
25...50A	10000A (VDE), 2000A (CSA)
63A	10000A with series fuse 250A class RK1 (VDE), 2000A (CSA)

Approvals		
Authority CSA	Voltage ratings	Current Ratings
	AC 347/600V	•0.5A to 32A (3 & 4 pole)
	AC 277/480V	•40 to 63A (3 & 4 pole)
	AC 347V	•0.5A to 63A (1 & 2 pole)
	DC 50V	•0.5A to 50A (1 pole)
	DC 110V	•0.5 to 50A (2 pole)

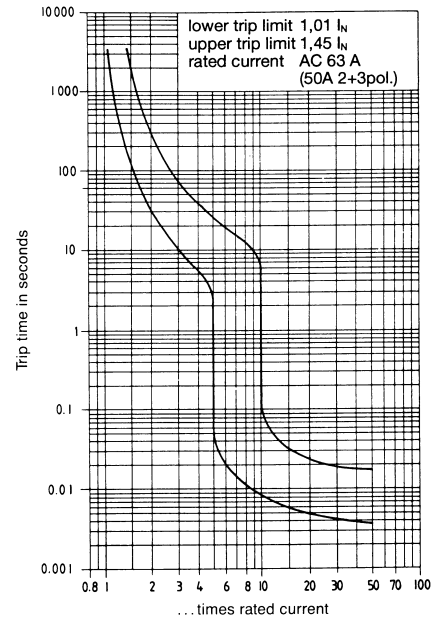
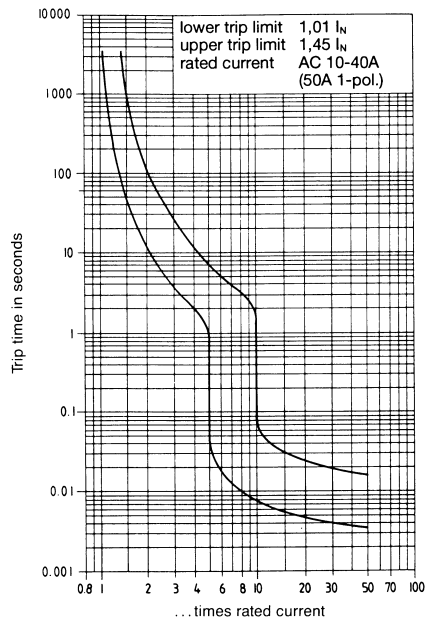
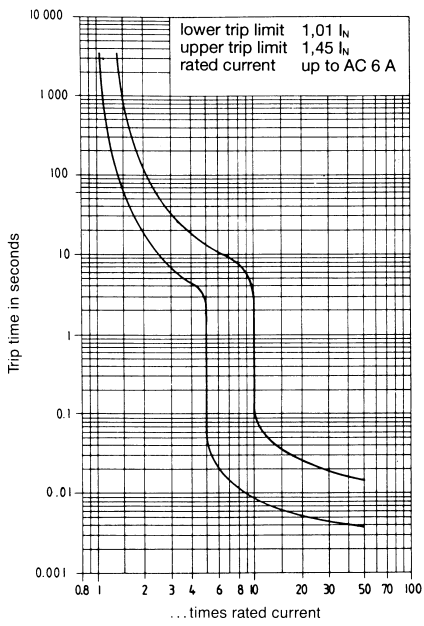
Accessories		Current Ratings
Auxiliary contacts	X211 754 01 1 changeover contact (H)	
	X211 756 01 2 changeover contacts (SH/HH)	
3-phase busbar	Y304 153 01 10mm ² x 210mm (3x4 circuit breakers)	•120A max.
	Y304 154 01 10mm ² x 1010mm (3x19 circuit breakers)	•100A max.
	Y304 155 01 16mm ² x 210mm (3x4 circuit breakers)	•120A max.
	Y304 156 01 16mm ² x 1010mm (3x19 circuit breakers)	•130A max.
Single-phase busbar	Y304 157 01 12mm ² x 210mm (12 circuit breakers)	•65A max.
Terminal clamp for 3-phase busbar	Y304 158 01 cable size 4 to 16mm ² / AWG 10 to AWG 4	•130A max.
Lock out piece	Y304 845 01	

Current Ratings	Internal resistance Ω per pole	Single pole	Cat.No.	Double pole	Cat.No.	3 pole	Cat.No.
0.5 A	6.20		992535		992565		992581
1.0 A	1.70		992536		992566		992582
2.0 A	0.45		992538		992568		992584
3.0 A	0.22		992539		992569		992585
4.0 A	0.125		992540		992570		992586
6.0 A	0.05		992541		992571		992587
10.0 A	<0.02		992543		992573		992589
13.0 A	<0.02		992982		992983		992984
16.0 A	<0.02		992544		992574		992590
20.0 A	<0.02		992545		992575		992591
25.0 A	<0.02		992546		992576		992592
32.0 A	<0.02		992547		992577		992593
40.0 A	<0.02		992548		992578		992594
50.0 A	<0.02		992549		992579		992595
63.0 A	<0.02		992550		992580		992596

Note: all circuit breakers come with touch safe protective cover over screws

91H Series Circuit Breakers

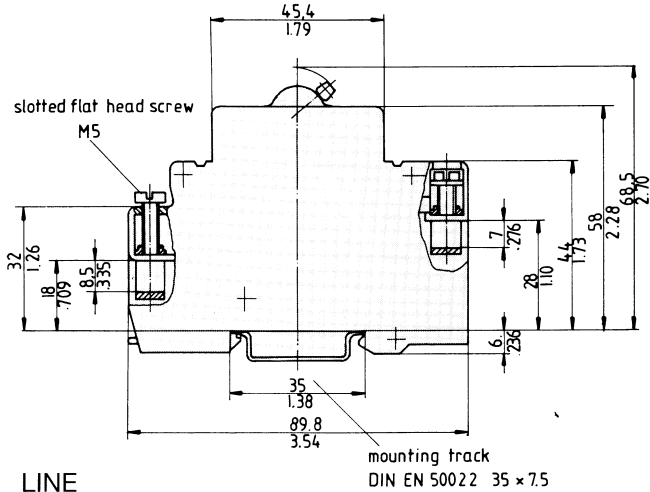
Typical time/current characteristics at 23°C.



(multipole types: all poles symmetrically loaded)

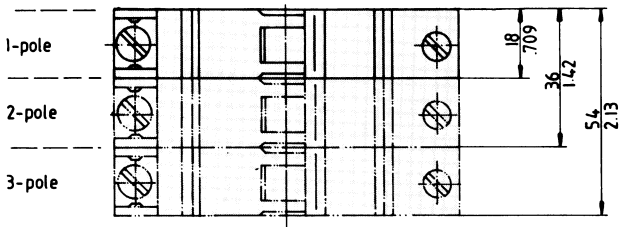
91H Series Circuit Breakers

Dimensions mm/inches

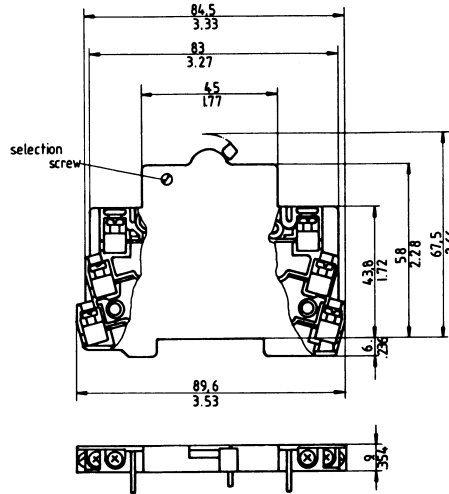


LINE

auxiliary contact SH/HH



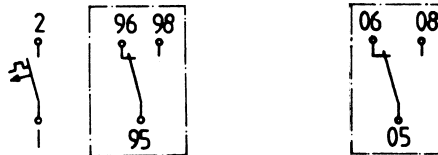
Auxiliary contact modules



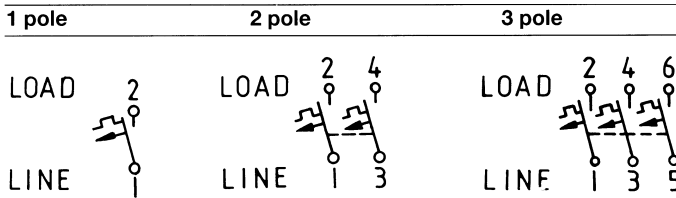
Auxiliary contacts are factory assembled

Type H; (SPDT)
Module with
1 changeover contact

Type SH/HH (I)
Module with
2 sets of contacts



Internal wiring diagrams



Modes: please specify **one** of the following

- SH: 1 fault overload Signal contact (will not indicate manually) plus 1 changeover contact
- HH: 2 changeover contacts -H

All dimensions without tolerances are for reference only. In the interest of performance and cost effectiveness the right to make changes in the future is reserved. Please note: product markings may not be exact.