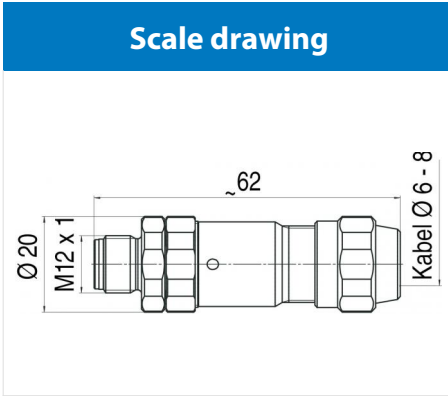


Product description	M12-A male cable connector, Contacts: 8, 5.5 - 8.6 mm, shieldable, screw clamp, IP68/IP69K, UL
Area	M12-A series 713
Order number	99 1487 992 08



Contact arrangement (Plug-in side)

	X	Y
1	2,69	0,57
2	0,57	2,69
3	-1,66	2,20
4	-2,75	0,19
5	-1,94	-1,94
6	0,19	-2,74
7	2,20	-1,65
8	0,00	0,00

You can find the assembly instructions on the next page.

Technical data

General values

Connector design	male cable connector
Connector locking system	screw
Termination	screw clamp
Wire gauge (mm)	max. 0.50 mm ²
Wire gauge (AWG)	max. 20
Cable outlet	5.5 - 8.6 mm
Upper limit temperature	85 °C
Lower limit temperature	-40 °C
Customs tariff number	85369010

Electrical values

Rated current (40 °C)	2 A
Rated voltage	30 V
Rated impulse voltage	800 V
Pollution degree	3
Overvoltage category	II
Insulating material group	III
Insulation resistance	> 10 ⁸ Ω
EMC compliance	shieldable
Degree of protection	IP68/IP69K
Mechanical operation	> 500 Mating cycles

Material

Contact material	CuZn (brass)
Contact plating	Au (gold)
Contact body material	PA66 (UL94HB)
Housing material	stainless steel 1.4404
Locking material	stainless steel 1.4404
REACH SVHC	CAS 7439-92-1 (Lead)

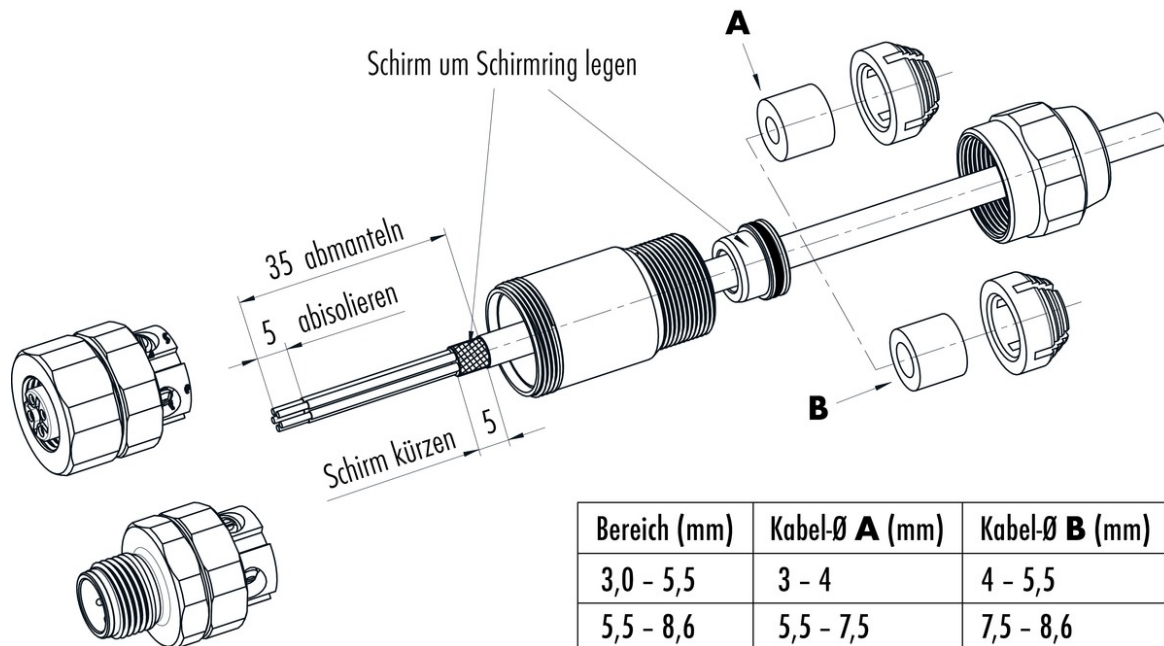
authorization/approvals

Approval 1	UL
------------	----

Product description **M12-A male cable connector, Contacts: 8, 5.5 - 8.6 mm, shieldable, screw clamp, IP68/IP69K, UL**

Area **M12-A series 713**
Order number **99 1487 992 08**

Assembly instructions / Panel cut-out



Product description	M12-A male cable connector, Contacts: 8, 5.5 - 8.6 mm, shieldable, screw clamp, IP68/IP69K, UL
Area	M12-A series 713
Order number	99 1487 992 08

Security notices

The connectors are designed for use in plant, control system and electrical equipment. The end user is responsible for checking whether the connectors are suitable for use in other applications.

Connectors with degree of protection IP 67 and IP 68 are not suitable for use under water. When used outdoors, the connectors must be separately protected against corrosion. For further information about IP degrees of protection refer to 'Technical support' in the Download Centre.

To lock the cable connector to the equipment connector, the threaded ring is tightened until it is 'finger-tight' (approx. 50 cNm).