

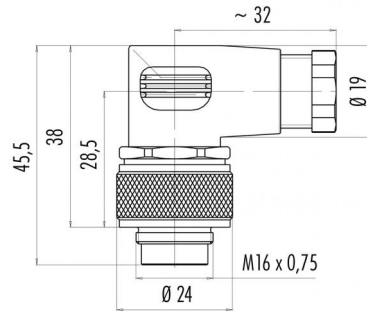
Product description **M16 IP67 male angled connector, Contacts: 8 DIN, 6.0 - 8.0 mm, solder, IP67**

Area **M16 IP67 series 723**
 Order number **99 0171 77 08**

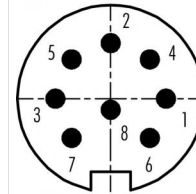
Illustration



Scale drawing



Contact arrangement (Plug-in side)



	X	Y
1	3,50	0,00
2	0,00	3,50
3	-3,50	0,00
4	2,47	2,47
5	-2,47	2,47
6	2,47	-2,47
7	-2,47	-2,47
8	0,00	-0,70

You can find the component part drawing on the next page.

Technical data

General features

Order number 99 0171 77 08
 Connector design male angled connector
 Version connector male angled
 Connector locking system screw
 Termination solder
 Degree of protection IP67
 Cross-sectional area max. 0.75 mm² / max. AWG 18
 Cable outlet 6.0 - 8.0 mm
 Temperature range from/to -40 °C / 95 °C
 Mechanical operation > 500 Mating cycles
 Weight (g) 38.001
 Customs tariff number 85369010

Material

Housing material PA
 Contact body material PBT (UL94 V-0)
 Contact material CuZn (brass)
 Contact plating Au (gold)
 REACH SVHC CAS 96-45-7 (Imidazolidine-2-thione)
 CAS 7439-92-1 (Lead)

Declarations of conformity

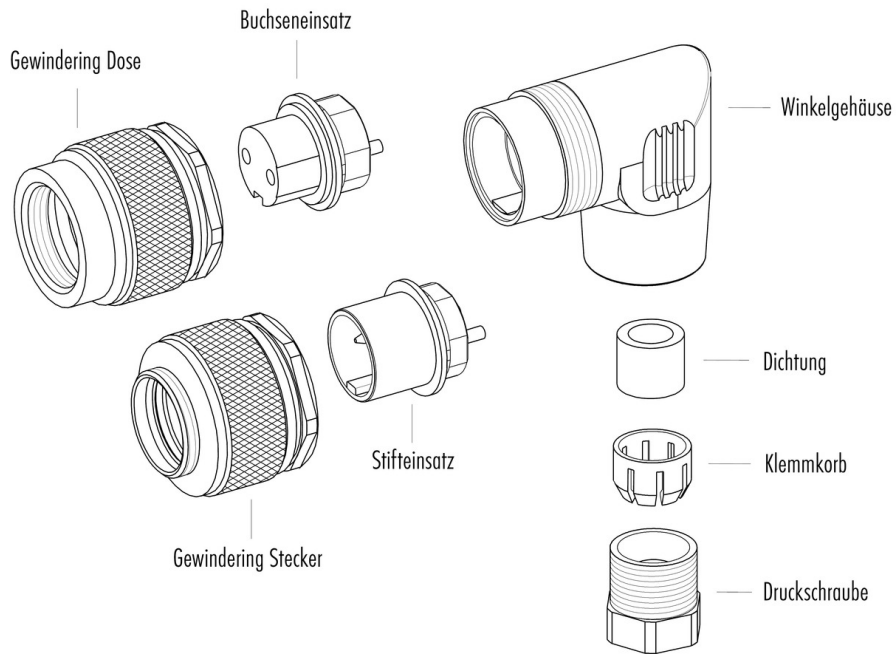
Low Voltage Directive 2014/35/EU (EN 60204-1:2018;EN 60529:1991)

Electrical parameters

Rated voltage 60 V
 Rated impulse voltage 500 V
 Rated current (40 °C) 5 A
 Insulation resistance ≥ 10¹⁰ Ω
 Pollution degree 1
 Overvoltage category I
 Insulating material group III

Product description	M16 IP67 male angled connector, Contacts: 8 DIN, 6.0 - 8.0 mm, solder, IP67
Area	M16 IP67 series 723
Order number	99 0171 77 08

Component part drawing



Product description **M16 IP67 male angled connector, Contacts: 8 DIN, 6.0 - 8.0 mm, solder, IP67**

Area **M16 IP67 series 723**
Order number **99 0171 77 08**

Security notices

The connectors have been developed for applications in plant engineering, control and electrical equipment construction. The user is responsible for checking whether the connectors can also be used in other areas of application.

Plug connectors with enclosure protection IP 67 and IP 68 are not suitable for use under water. When used outdoors, the plug connectors must be protected separately against corrosion. For further information on the IP protection classes, please refer to the "Technical Information" download centre. To lock the cable connector with the device connector, the threaded ring is tightened "hand-tight" (approx. 50 cNm).