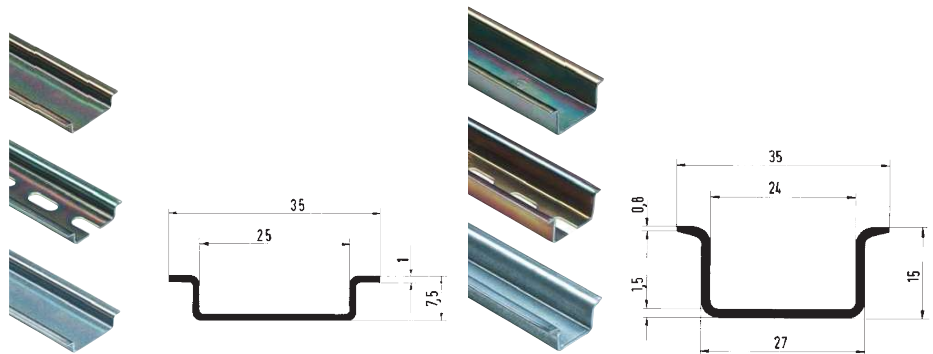


Accessories for DIN rail terminal blocks with spring clamp connection, type WKF



Mounting Rail 35 x 7.5
to standard DIN EN 60715

Mounting Rail 35 x 15
to standard DIN EN 60715

Mounting Rail	Type	Part no.	Std. pack.	Type	Part no.	Std. pack.
1. Steel zinc plated, dichromate	solid L = 2 m	35 x 27 x 7,5 EN 60715	98.300.0000.0 1	35 x 27 x 15 EN 60715	98.370.0000.0 1	
Steel zinc plated, dichromate	slotted L = 2 m	35 x 27 x 7,5 EN 60715	98.300.1000.0 1	35 x 27 x 15 EN 60715	98.370.1000.0 1	
2. Steel, unplated	solid L = 2 m	35 x 27 x 7,5 EN 60715	98.300.0010.0			
Steel, unplated	slotted L = 2 m					
3. Steel, zinc plated	solid L = 2 m					
Steel, zinc plated	slotted L = 2 m					
4. Copper	solid L = 2 m					
Copper	slotted L = 2 m					
5. Aluminum	solid L = 2 m	35 x 27 x 7,5 EN 60715	98.750.0000.0			
Aluminum	slotted L = 2 m	35 x 27 x 7,5 EN 60715	98.800.1000.0			
6. Stainless steel	solid L = 2 m	35 x 27 x 7,5 EN 60715	98.330.0000.0			
End clamp						
7. End clamp with screw for 35 mm rail	8 mm wide					
8. End clamp with screw for 35 mm rail						
with marking plate	8/17.5 mm wide					
9. End clamp, screwless, for 35 mm rail	8 mm wide					
10. End clamp, screwless, for 35 mm rail						
with marking plate	8/17.5 mm wide					
for terminal rails						
11. Bus bar holder	8 mm wide					
Busbar support, with screw	8 mm					
12. Clamping screw for mounting rail						
13. Optional label carrier						
14. Paper Markers in perforated sheet form						
(1 sheet = 100 Marking tags)						