

PLEASE CHECK WWW.MOLEX.COM FOR LATEST PART INFORMATION

Part Number: [0981930001](#)
Status: **Active**
Overview: MOX Products
Description: 2.85mm Pitch MOX Receptacle Housing with TPA™, Single Row, 6 Circuits, Black

Documents:

Drawing (PDF)	Application Specification AS-98193-018-001 (PDF)
Product Specification PS-98193-001-001 (PDF)	Packaging Specification PK-98193-020 (PDF)
Product Specification TS-98193-008-001 (PDF)	RoHS Certificate of Compliance (PDF)

General

Product Family	Crimp Housings
Series	98193
Application	Power, Wire-to-Board
Application Tooling Part Link	63813-7000
Overview	MOX Products
Product Name	MOX
UPC	800756382944

Physical

Circuits (maximum)	6
Color - Resin	Black
Gender	Receptacle
Glow-Wire Compliant	No
Keying to Mating Part	None
Lock to Mating Part	Yes
Material - Resin	Nylon
Net Weight	3.058/g
Number of Rows	1
Packaging Type	Bag
Panel Mount	No
Pitch - Mating Interface	2.85mm
Pitch - Termination Interface	2.85mm
Polarized to Mating Part	Yes
Stackable	No
Temperature Range - Operating	-40°C to +105°C

Electrical

Current - Maximum per Contact	6.0A
-------------------------------	------

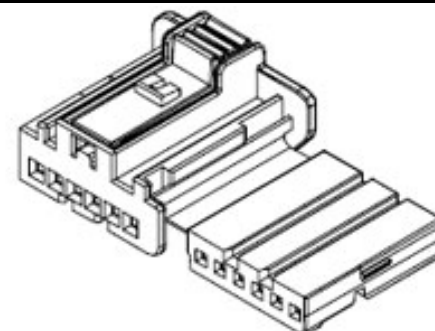
Solder Process Data

Lead-freeProcess Capability	N/A
-----------------------------	-----

Material Info

Reference - Drawing Numbers

Application Specification	AS-98193-018-001
Packaging Specification	PK-98193-020
Product Specification	PS-98193-001-001, TS-98193-008-001
Sales Drawing	SD-98193-001, SD-98193-004



Series image - Reference only

EU ELV

Compliant

EU RoHS

Compliant

REACH SVHC

Not Contained Per -
ED/30/2017 (7 July
2017)

Halogen-Free

Status

Not Relevant

Need more information on product environmental compliance?

Email productcompliance@molex.com
Please visit the [Contact Us](#) section for any non-product compliance questions.

China ROHS	Not Relevant
ELV	Compliant
RoHS Phthalates	Not Contained

Search Parts in this Series

[98193](#) Series

Mates With

Please Contact Molex for Details

Use With

[98658](#) MOX Crimp Terminal

Application Tooling | [FAQ](#)

Tooling specifications and manuals are found by selecting the products below. Crimp Height Specifications are then contained in the Application Tooling Specification document.

Global

Description	Product #
Extractor Tool for 2.80mm Crimp Terminals	0638137000

This document was generated on 08/02/2017

PLEASE CHECK WWW.MOLEX.COM FOR LATEST PART INFORMATION