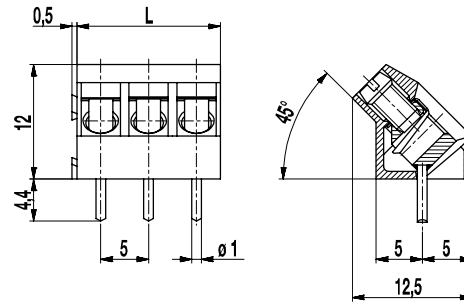


# 974-T(-DS)

PCB connector

Screw connection 45°-angle to PCB, interlocking



## GENERAL INFORMATION

Pitch	5 mm
No. of poles	2 + 3

## TECHNICAL DATA

Clamping Range	<i>solid / stranded / AWG</i>		
<i>without wire protector</i>	1 - 6 mm <sup>2</sup> / 1 - 2,5 mm <sup>2</sup> / 16 - 12 AWG		
<i>with wire protector</i>	0,75 - 4 mm <sup>2</sup> / 0,75 - 2,5 mm <sup>2</sup> / 18 - 12 AWG		
Rated Cross Section	2,5 mm <sup>2</sup>		
Wire Stripping Length	6,5 mm ± 0,5 mm		
Overvoltage Category	III	III	II
Pollution Severity Level	3	2	2
Rated Voltage	250 V	320 V	630 V
Rated Impulse Voltage	4 kV	4 kV	4 kV
Rated Current	24 A		
Hole in PCB	ø 1,3 mm		
Torque	0,5 Nm		

## APPROVALS

	Current [A]	Voltage [V]	Group	AWG	[Nm]
	20	300	B	22-12 [1]	0,51
	10	300	D	22-12 [1]	0,51
	20	300	B	26 - 12	0,51
	10	300	D, E	26 - 12	0,51
	Current [A]	Voltage [V]	mm <sup>2</sup>		
	24	250	2,5 [2]		

## CONFIGURATIONS

Poles	Part number	Article number	Part number	Article number	Length (L)	Packaging	PU
2	974-T/02	10.874.602	974-T-DS/02	20.874.602	10,00 mm	Box	250
3	974-T/03	10.874.603	974-T-DS/03	20.874.603	15,00 mm	Box	250

## MATERIAL

Moulding	PA, grey, V-0
Comparative Tracking Index	CTI ≥ 600
Insulating Group	I
Temperature Range	-40°C up to 100°C
Terminal body	Tin plated brass
Screw	M3; zinc plated steel, clear passivated
Solder pin	ø 1 mm; tin plated copper
Wire protector	Tin plated tin bronze

## OPTIONS / ACCESSORIES

- Consecutive numbering
- Special marking according to drawing
- Self-adhesive marking strip BST-5,00
- Longer solder pins up to 75 mm
- Special wire protector for very thin conductors

[1] Min No. 26 AWG for factory-wiring only  
 [2] Acc. to IEC 60947-7-4 und IEC 60947-1

