

# Scotchlok® 972

## Self-Stripping In-Line Blade Type Fuseholder

### Product Information

#### Application:

Use Part No. 972 to install a blade type automotive fuse between power source and device.

#### Wire Range:

18-14 AWG Solid or Stranded, tinned or untinned (.75-1.5mm<sup>2</sup> sol. or str.) copper conductors. For use with common thermoplastic insulated wires such as: SAE-GPT, T, TF, TFF, TW with a maximum insulation diameter of .145 inches (3.5mm). Maximum recommended connector current: 18 AWG - 7.5 AMPS, 16 AWG - 10 AMPS, 14 AWG - 20 AMPS.

NOTE: All wire insulations may not be suitable for these current levels under all conditions. Check appropriate requirements for specific applications.

#### Construction:

U-Contact - Tin plated copper alloy,  
.03 in. (.8mm) thick

Insulator - Polypropylene,  
color - blue

#### Weight:

.0052 lb. (2.36 gm)

#### Installation Instructions:

Caution - turn power off before installing connector. All electrical work should be done according to appropriate electrical codes.

1. Cut wires but do not strip insulation from wire ends.
2. Insert a wire end into one of the wire channels until it butts up against the wire stop.
3. Fold that half of the connector body over until the element contacts the wire.
4. Crimp that half of the connector closed with a mechanics (slip joint) pliers.
5. Repeat steps 2, 3 and 4 for the other wire.
6. Slide fuse all the way into the fuse port.

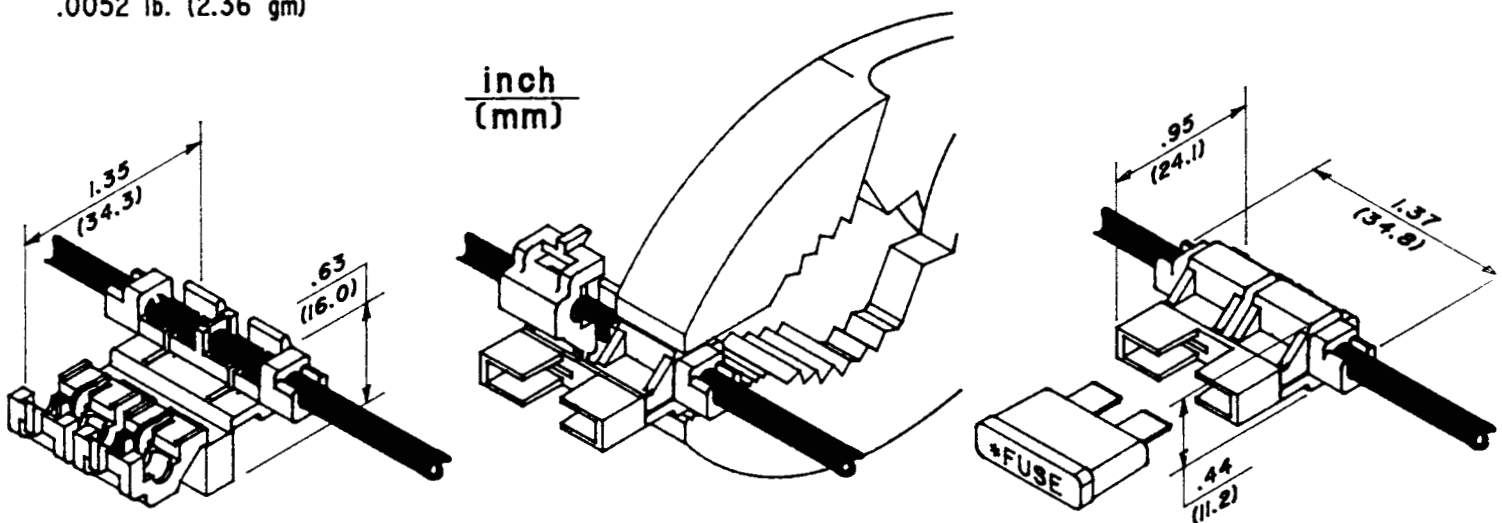
\* NOTE: Fuse not included

#### Recommended Installation Tools:

Mechanics (slip joint) Pliers

#### Recommended Voltage and Temperature Ratings:

32 volts maximum.  
105°C (221°F) maximum.



#### ENGINEERING SPECIFICATION:

Self-stripping in-line automotive blade type fuseholder (as manufactured by 3M, Part No. 972) capable of connecting to two No. 18 thru two No. 14 AWG solid or stranded wires. Connector shall be voltage rated 32 volts maximum, and temperature rated 105°C maximum.

**Important Notice:** All statements, technical information and recommendations contained herein are based on tests we believe to be reliable, but the accuracy or completeness thereof is not guaranteed, and the following is made in lieu of all warranties, express or implied: Seller's and manufacturer's only obligation shall be to replace such quantity of the product proved to be defective. Neither seller nor manufacturer shall be liable for any injury, loss or damage, direct or consequential, arising out of the use of or inability to use the product. Before using, user shall determine the suitability of the product for his intended use, and user assumes all risks and liability whatsoever in connection therewith. Statements or recommendations not contained herein shall have no force or effect unless in an agreement signed by officers of seller and manufacturer.

5/86

