

DESCRIPTION: 971 SERIES D-SUB BACKSHELL

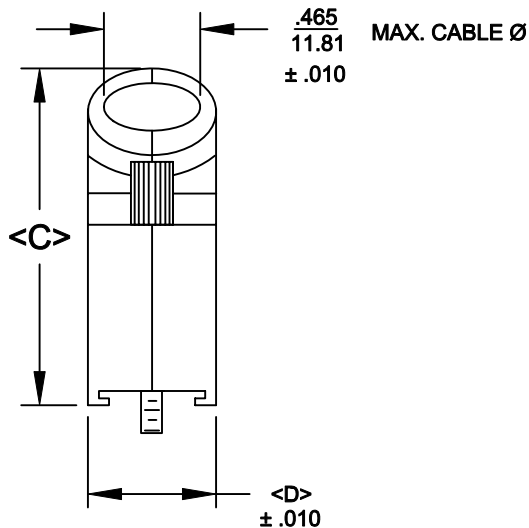
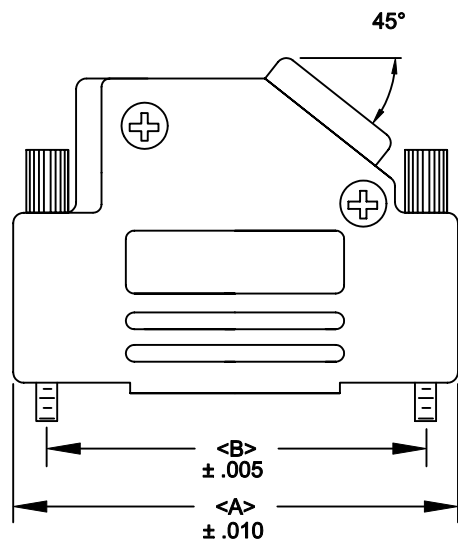
971-YYY-030R121

BACKSHELL KIT INCLUDES:

- (2) BACKSHELL HALVES
- (2) 4-40 THUMBSCREWS
- (2) HOUSING SCREWS
- (1) COMPRESSION RING - VARIOUS SIZES

SERIES _____
 POSITIONS _____
 009 _____
 015 _____
 025 _____
 037 _____
 MATERIAL _____
 030 = ZINC _____
 COLOR: _____
 12 = NICKEL OVER COPPER _____
 PUT-UPS _____
 1 = KIT _____


NOTE: 9 POSITION HAS ONLY 1 THUMBSCREW
 (OPPOSITE CABLE ENTRY)



POS.	A	B	C	D
9	1.220	.984	1.496	.570
	30.99	24.99	38.00	14.48
15	1.595	1.312	1.618	.570
	40.51	33.32	41.10	14.48
25	2.114	1.852	1.646	.570
	53.70	47.04	41.81	14.48
37	2.748	2.500	1.646	.570
	69.80	63.50	41.81	14.48

MATERIAL: DIE CAST ZINC ALLOY
 PLATING: NICKEL OVER COOPER
 JACKSCREWS: STEEL
 HOOD SCREWS: STEEL
 COMPRESSION INSERTS: ABS UL 94V-O
 OPERATING TEMP: -30°C to +90°C

RoHS COMPLIANT

	THESE DRAWINGS AND SPECIFICATIONS ARE THE PROPERTY OF NorComp AND SHALL NOT BE REPRODUCED, COPIED OR USED AS THE BASIS FOR THE MANUFACTURE OR SALE OF APPARATUS WITHOUT WRITTEN PERMISSION.		DRAWN: PAM JENKINS	DATE: 6-10-05
	<h1>NorComp</h1>			CHECKED:
SCALE				SHEET 1 OF 1
			DWG NO. 971-YYY-030R121	