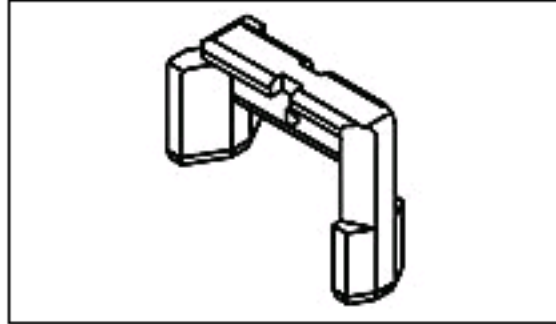


## 968183-1 Product Details

[Share](#) [Print](#) [Email](#)


968183-1

TE Internal Number: 968183-1  
✔ Active

[View 3D PDF](#)

### Timer Connectors

✔ Always EU RoHS/ELV Compliant (Statement of Compliance)

#### Product Highlights:

- Accessory
- Accessory Type = Retaining Clip
- Type of Connector = 1.6/2.8, Hybrid Timer, JPT/Micro Timer 3
- 4 Positions
- Not Sealed

[View all Features](#)
[Add to My Part List](#) [Request Sample](#) [Find Similar Products](#) [Buy Product](#)

### Quick Links

- ▶ [Check Pricing & Availability](#)
- ▶ [Search for Tooling](#)
- ▶ [Product Feature Selector](#)
- ▶ [Contact Us About This Product](#)

### Documentation & Additional Information

#### Product Drawings:

- [RETAINER \(PDF, German\)](#)

#### Catalog Pages/Data Sheets:

- None Available

#### Product Specifications:

- None Available

#### Application Specifications:

- None Available

#### Instruction Sheets:

- [4-Position Seat Motor Connector \(PDF, English\)](#)

#### CAD Files: (CAD Format & Compression Information)

- [2D Drawing \(DXF, Version C5\)](#)
- [3D Model \(IGES, Version C5\)](#)
- [3D Model \(STEP, Version C5\)](#)

#### Additional Information:

- [Product Line Information](#)

#### Related Products:

- [Tooling](#)

[List all Documents](#)

### Product Features (Please use the Product Drawing for all design activity)

#### Product Type Features:

- Product Type = Accessory
- Accessory Type = Retaining Clip
- Type of Connector = 1.6/2.8, Hybrid Timer, JPT/Micro Timer 3
- Sealed = No
- Body Material = PBT
- Color = Natural
- For Use With = Receptacle Housing, X-1326490-X

#### Body Features:

- Number of Positions = 4

#### Industry Standards:

- [RoHS/ELV Compliance](#) = RoHS compliant, ELV compliant
- [Lead Free Solder Processes](#) = Not relevant for lead free process
- [RoHS/ELV Compliance History](#) = Always was RoHS compliant

#### Other:

- Brand = AMP

### Corporate Information

- [About TE](#)
- [Investors](#)
- [News Room](#)
- [Supplier Portal](#)
- [Careers](#)

### Quick Links

- [Check Distributor Inventory](#)
- [Cross Reference Products](#)
- [Find Documents & Drawings](#)
- [Product Compliance Support Center](#)
- [Site Map](#)

### Customer Support

- [Email or Chat With Us](#)
- [Find a Phone Number](#)
- [Search Knowledge Base](#)
- [Manage Your Account](#)

### Keep Me Informed

Receive TE News, Events & Technology Updates

