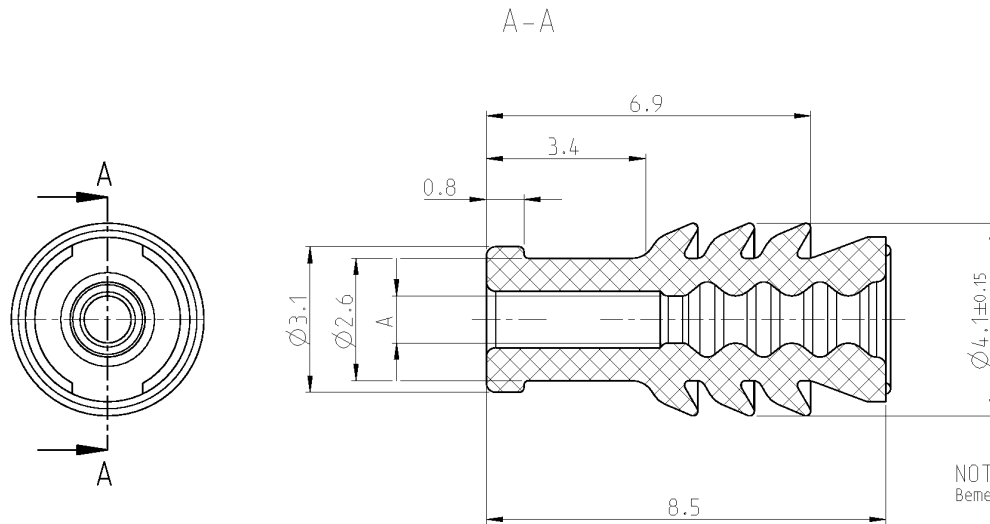


THIS DRAWING IS UNPUBLISHED. RELEASED FOR PUBLICATION 2011  
 (C) COPYRIGHT 2011 Tyco Electronics AMP GmbH ALL RIGHTS RESERVED.

LOC	DIST	REVISIONS			
P	LTR	DESCRIPTION	DATE	DWN	APVD
A9		NEW DASH # 1-967067-1. TEMPERED	09JAN2012	Mah.	Abele
A10		NEW PRO E DRAWING	02FEB2012	Mah.	Abele



NOTES  
Bemerkungen

- SUITABLE FOR SOCKET CONTACT FOR SINGLE WIRE SEAL, SEE : 929454; 929419; 1241611  
Passend zu Buchsenkontakt fuer Einzeldichtung, siehe: 929454; 929419; 1241611
- SUITABLE FOR PIN CONTACT FOR SINGLE WIRE SEAL SEE 929453  
Passend zu Stiftkontakt fuer Einzeldichtung siehe 929453
- SILOXAN IS MINIMIZED THROUGH TEMPERING PROCESS  
SILOXAN minimiert durch Temperung

1.4 - 2.1	∅1.0±0.15	SINGLE WIRE Einzelleitung	1-967067-1	A	GREEN/gruen	-	0-967067-1	△ <sub>3</sub>
0.9 - 1.4	∅0.6±0.15		0-967067-2	A	YELLOW /gelb	0.07	Silicone VMQ 50	-
1.4 - 2.1	∅1.0±0.15		0-967067-1	A	GREEN/gruen	0.06		-
ISO-DIA	DIM "A"	USED ON verwendet fuer	ORDER NO Bestell Nr.	REV.	COLOR Farbe	WEIGHT Gewicht	MATERIAL	HEAT TREAT

THIS DRAWING IS A CONTROLLED DOCUMENT.		DWN S. Garcia	29JUL1999	<b>STE</b> TE Connectivity
		CHR R. Jetter	28JUL1999	
DIMENSIONS: mm		TOLERANCES UNLESS OTHERWISE SPECIFIED:		NAME Micro Quadlok System
		M3 DIN7715		PRODUCT SPEC 114-18025
		0 PLC ±		APPLICATION SPEC 108-18403
		1 PLC ±		SIZE A3
		2 PLC ±		CAGE CODE 00779
		3 PLC ±		DRAWING NO C=967067
		4 PLC ±		RESTRICTED TO -
		ANGLES ±°		SCALE 10:1
MATERIAL SEE TABLE		FINISH -		SHEET 1 OF 1
		CUSTOMER DRAWING		REV A10