

964768-2 ✓ ACTIVE

RAST | RAST 5 IDC Connectors

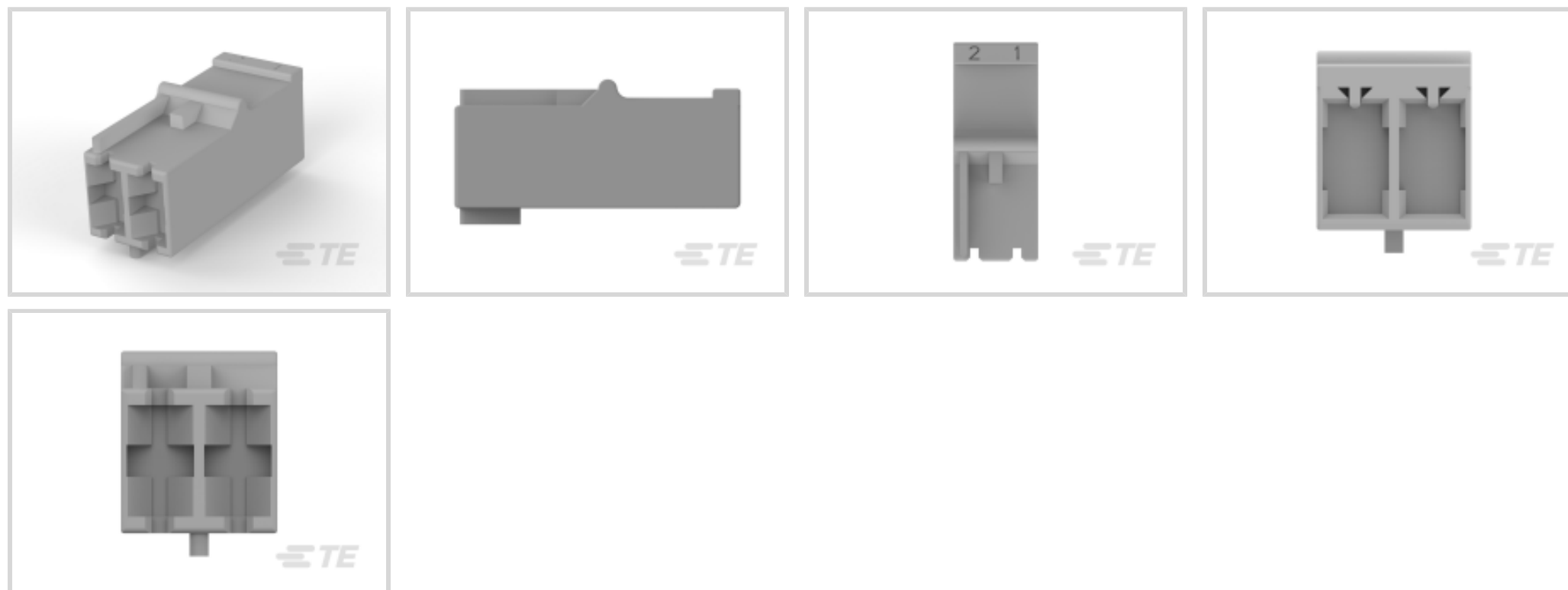
TE Internal #: 964768-2

RAST 5 IDC Connectors, Housing, Receptacle, Wire-to-Board, 2 Position, 5mm [.197in] Centerline, Crimp, 1 Rows, Gray, Mating Retention, Wire & Cable

[View on TE.com >](#)



Connectors > PCB Connectors > Wire-to-Board Connectors > Wire-to-Board Connector Assemblies & Housings



Connector Product Type: **Housing**

Connector & Housing Type: **Receptacle**

Connector System: **Wire-to-Board**

Number of Positions: **2**

Centerline (Pitch): **5 mm [.197 in]**

Features

Product Type Features

Connector Product Type	Housing
Connector & Housing Type	Receptacle
Connector System	Wire-to-Board
Sealable	No
Connector & Contact Terminates To	Wire & Cable

Configuration Features

Keying & Polarized Rib Location	2b
Number of Positions	2
Number of Rows	1

Termination Features

Termination Method to Wire & Cable	Crimp
------------------------------------	-------

Mechanical Attachment

Locking Latch Between Cavity Number	None
Strain Relief	Without



Panel Mount Feature	Without
PCB Mount Retention	Without
Mating Retention Type	Lock
Mating Retention	With
Connector Mounting Type	Cable Mount (Free-Hanging)

Housing Features

Housing Material	PA 6.6
Centerline (Pitch)	5 mm[.197 in]
Housing Color	Gray

Dimensions

Connector Length	25.5 mm[1 in]
Connector Height	12.03 mm[.473 in]

Usage Conditions

Operating Temperature Range	-40 – 105 °C[-40 – 221 °F]
-----------------------------	----------------------------

Operation/Application

Circuit Application	Power & Signal
---------------------	----------------

Industry Standards

RAST Version	None
Glow Wire Rating	Glow Wire

Packaging Features

Packaging Quantity	3200
Packaging Method	Package

Other

Comment	Tab Housing uses FASTIN-FASTON .250 series Tabs.
---------	--

Product Compliance

[For compliance documentation, visit the product page on TE.com>](#)

EU RoHS Directive 2011/65/EU	Compliant
EU ELV Directive 2000/53/EC	Compliant
China RoHS 2 Directive MIIT Order No 32, 2016	No Restricted Materials Above Threshold
EU REACH Regulation (EC) No. 1907/2006	



Current ECHA Candidate List: JAN 2020 (205)
 Candidate List Declared Against: JAN 2020 (205)
 Does not contain REACH SVHC

EU REACH Regulation (EC) No. 1907/2006	Current ECHA Candidate List: JAN 2020 (205) Candidate List Declared Against: JAN 2020 (205)
--	--

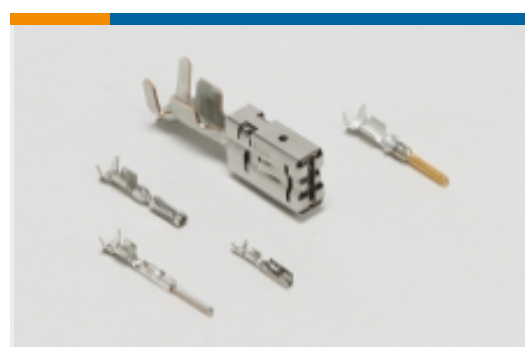
Halogen Content	Low Halogen - Br, Cl, F, I < 900 ppm per homogenous material. Also BFR/CFR/PVC Free
-----------------	---

Solder Process Capability	Not applicable for solder process capability
---------------------------	--

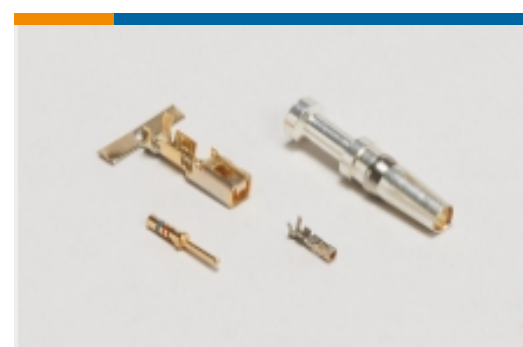
Product Compliance Disclaimer

This information is provided based on reasonable inquiry of our suppliers and represents our current actual knowledge based on the information they provided. This information is subject to change. The part numbers that TE has identified as EU RoHS compliant have a maximum concentration of 0.1% by weight in homogenous materials for lead, hexavalent chromium, mercury, PBB, PBDE, DBP, BBP, DEHP, DIBP, and 0.01% for cadmium, or qualify for an exemption to these limits as defined in the Annexes of Directive 2011/65/EU (RoHS2). Finished electrical and electronic equipment products will be CE marked as required by Directive 2011/65/EU. Components may not be CE marked. Additionally, the part numbers that TE has identified as EU ELV compliant have a maximum concentration of 0.1% by weight in homogenous materials for lead, hexavalent chromium, and mercury, and 0.01% for cadmium, or qualify for an exemption to these limits as defined in the Annexes of Directive 2000/53/EC (ELV). Regarding the REACH Regulations, TE's information on SVHC in articles for this part number is still based on the European Chemical Agency (ECHA) 'Guidance on requirements for substances in articles' (Version: 2, April 2011), applying the 0.1% weight on weight concentration threshold at the finished product level. TE is aware of the European Court of Justice ruling of September 10th, 2015 also known as O5A (Once An Article Always An Article) stating that, in case of 'complex object', the threshold for a SVHC must be applied to both the product as a whole and simultaneously to each of the articles forming part of its composition. TE has evaluated this ruling based on the new ECHA "Guidance on requirements for substances in articles" (June 2017, version 4.0) and will be updating its statements accordingly.

Also in the Series | **RAST 5 IDC Connectors**



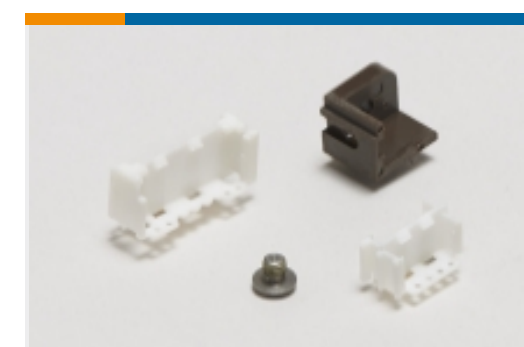
Automotive, Truck, Bus, & Off-Road Terminals(8)



Connector Contacts(12)



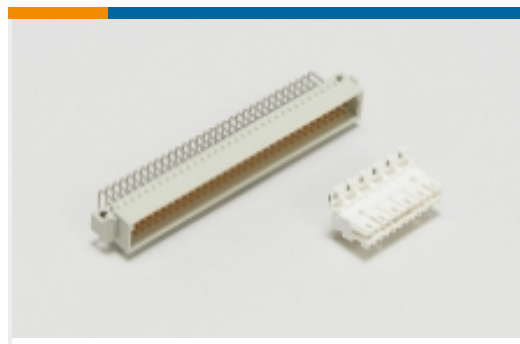
Crimp Terminal Housings(41)



PCB Connector Mounting(1)



Rectangular Connector Housings(1)



Standard Edge Connectors(4)



Standard Rectangular Connectors(108)



Wire-to-Board Connector Assemblies & Housings(214)



Wire-to-Board Connector Contacts(1)



Wire-to-Board Headers & Receptacles (459)

Customers Also Bought



TE Model / Part #1394918-7
DUOPLG5.0 BU-STE 7P



TE Model / Part #3-1534798-5
AMP DUOPLUG MK2 CONNECTOR
5P SELECTIVE



TE Model / Part #293043-1
8POS. FASTIN-FASTON, TAB
HOUSING RAST5



TE Model / Part #9-927742-4
4POS FASTIN FASTON HOUSING



TE Model / Part #6-1241961-2
STD TIM HOUSING MKII 2POS



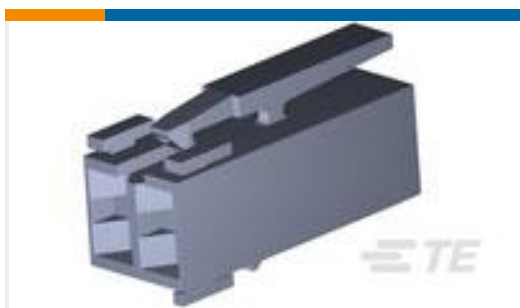
TE Model / Part #1534415-7
DUOPL POW FEM CON7P



TE Model / Part #964768-3
STD-TIM HSG SPECIAL 2P (NATURE)



TE Model / Part #3-180916-0
FF 250 TAB HSG 1P NYLON NAT



TE Model / Part #1241961-3
STD TIM HOUSING MKII 2POS



TE Model / Part #9724373001
55/9953-24-2/2(LAT3)

Documents



Product Drawings

STD-TIM HSG SPECIAL 2P (GREY)

English

CAD Files

3D PDF

3D

Customer View Model

[ENG_CVM_CVM_964768-2_C_c-964768-2-c.2d_dxf.zip](#)

English

Customer View Model

[ENG_CVM_CVM_964768-2_C_c-964768-2-c.3d_igs.zip](#)

English

Customer View Model

[ENG_CVM_CVM_964768-2_C_c-964768-2-c.3d_stp.zip](#)

English

By downloading the CAD file I accept and agree to the [Terms and Conditions](#) of use.

Product Environmental Compliance

TE Material Declaration

English

Agency Approvals

VDE Certificate

English