

75 mm Bracket Mount Beacons

75 mm Beacon Features

- Choose from permanent incandescent, permanent LED, or flashing Xenon models
- Bracket mount installation
- Light-intensive Xenon flash in flash models
- 75 mm diameter

- Bulb not included with incandescent models
- Various mounting accessories available
- 2 year warranty



223, 224, and 225 Series Beacons Technical Specifications												
Description	Voltage	Part Number	Price	Color	Current	Starting Current	Operating Temp /Protection	Life Duration	Housing Material	Weight	Connection	Agency Approvals
48 mm (Bracket Mount)												
Incandescent Permanent Light	12-240V AC/DC max (depends on bulb selection)	22310000	<--->	Red	Depends on bulb selection. (bulb sold separately)	-		up to 5,000 hrs	Green	103g [3.63 oz]		
		22320000	<--->	Green								
		22330000	<--->	Yellow								
		22340000	<--->	Clear								
		22350000	<--->	Blue								
LED Permanent Light	115 VAC	22410067	<--->	Red	<25 mA	≤ 0.5A		up to 100,000 hrs	Polycarbonate cap Polyamide base	142g [5.01 oz]		
		22420067	<--->	Green								
		22430067	<--->	Yellow								
		22440067	<--->	Clear								
		22450067	<--->	Blue								
	24V AC/DC	22410075	<--->	Red	<45 mA							
		22420075	<--->	Green								
		22430075	<--->	Yellow								
		22440075	<--->	Clear								
		22450075	<--->	Blue								
Xenon Flashing Light (0.75 Hz flash frequency, 1W flash energy)	24 VDC	22510055	<--->	Red	<100 mA	-		4,000,000 flashes		151g [5.33 oz]		
		22520055	<--->	Green								
		22530055	<--->	Yellow								
		22540055	<--->	Clear								
		22550055	<--->	Blue								
	115 VAC	22510067	<--->	Red	<20 mA							
		22520067	<--->	Green								
		22530067	<--->	Yellow								
		22540067	<--->	Clear								
		22550067	<--->	Blue								

Bulbs

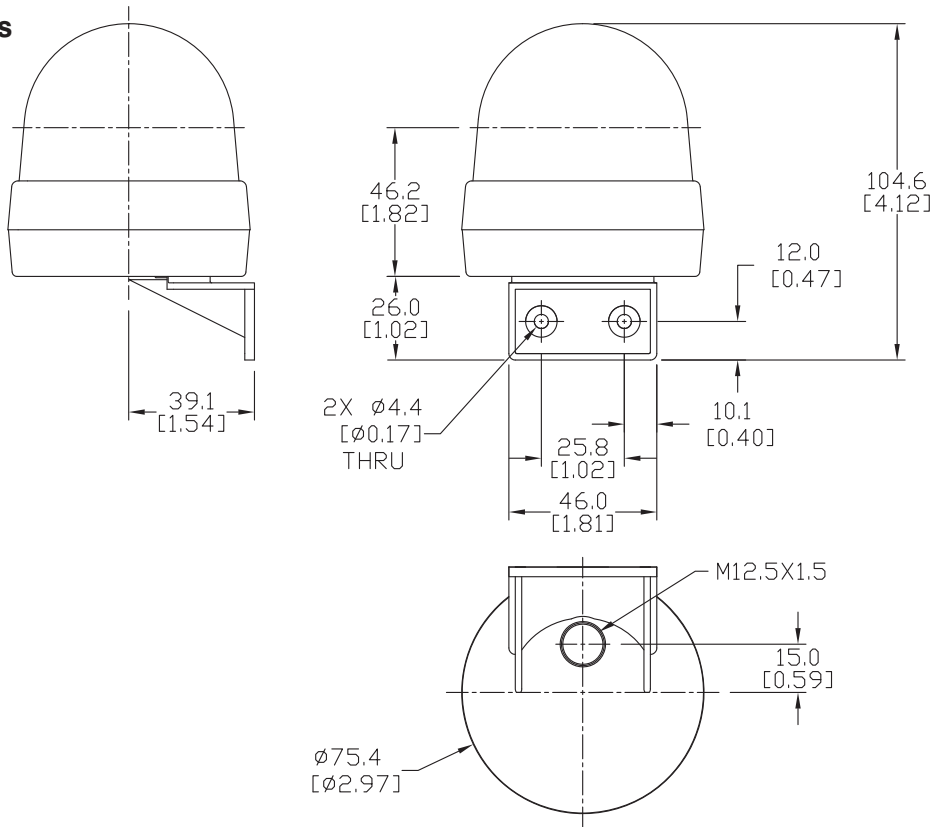


Bulbs for Incandescent Permanent Optical Element					
Part Number	Price	Description	Wattage	Voltage	Life Duration
95501535	<--->	Bulb for Incandescent Light B15d Bayonet Socket	7W	24V AC/DC	up to 5,000 hrs
95501537	<--->			115 VAC	
95501538	<--->			230 VAC	

75 mm Bracket Mount Beacons

Dimensions mm [inches]

223/224/225 Series



Company Information

Systems Overview

Programmable Controllers

Field I/O

Software

C-more & other HMI

Drives

Soft Starters

Motors & Gearbox

Steppers/ Servos

Motor Controls

Proximity Sensors

Photo Sensors

Limit Switches

Encoders

Current Sensors

Pressure Sensors

Temperature Sensors

Pushbuttons/ Lights

Process

Relays/ Timers

Comm.

Terminal Blocks & Wiring

Power

Circuit Protection

Enclosures

Tools

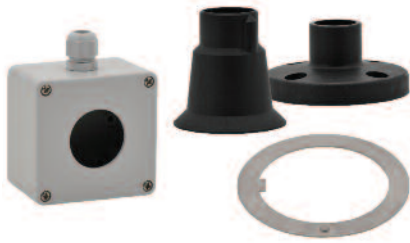
Pneumatics

Appendix

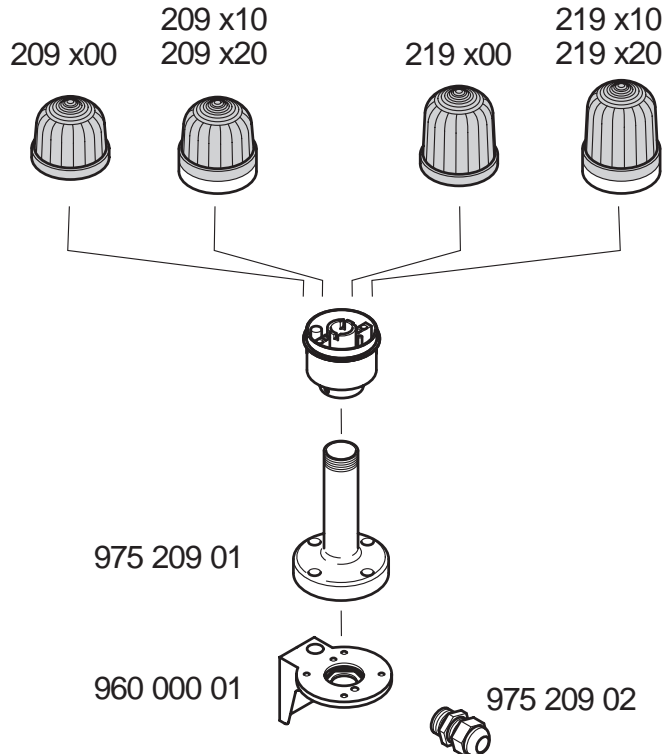
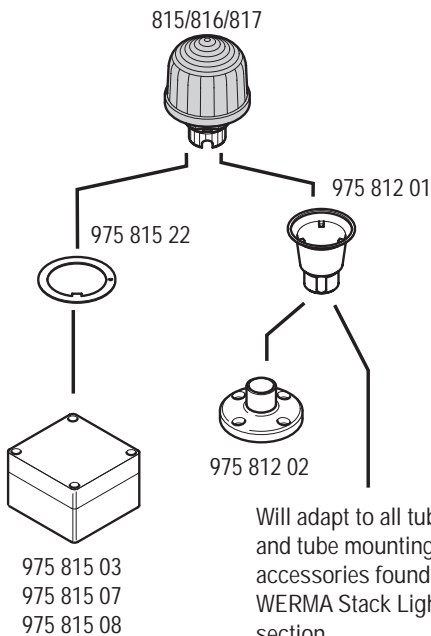
Product Index

Part # Index

Beacon Accessories

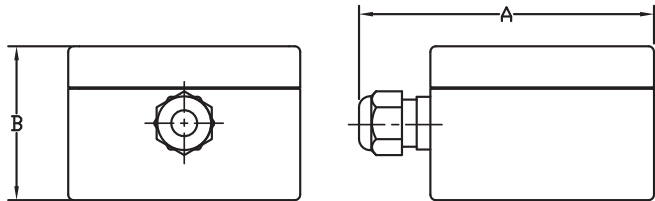
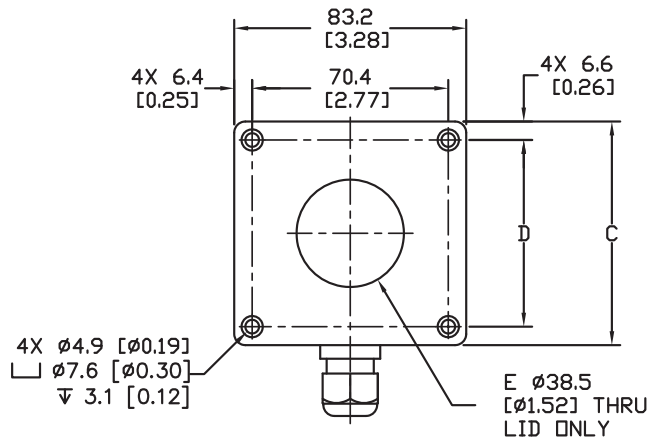
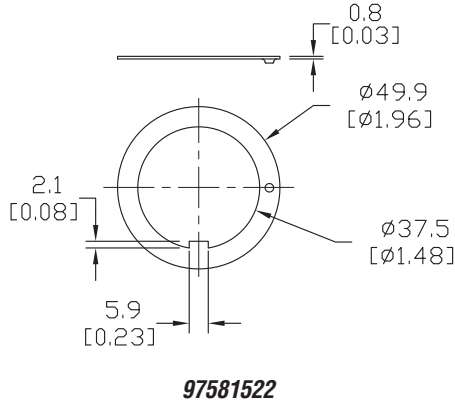
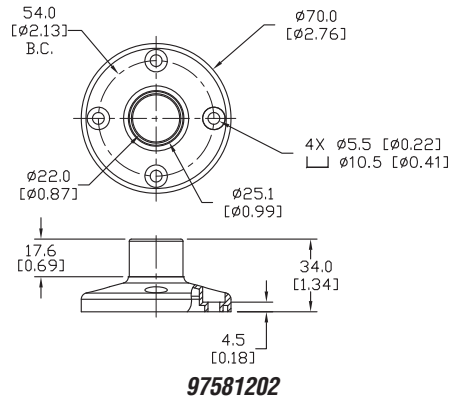
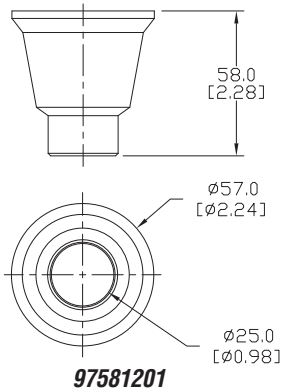


WERMA Beacons Accessories					
Part Number	Price	Description	Operating Temp.	Material	Weight
Installation Beacon Accessories					
97581201	<--->	Tube adapter for beacons with 37mm (PG 29) mounting installation. Find tube adapter accessories in WERMA Stack light catalog section.	-4°F to 122°F [-20°C to 50°C]	Polyamide /Fiberglass	1.13 g [0.04 oz]
97581202	<--->	Surface mounting base for beacons with 37mm (PG 29) mounting installation		Polyamide /Fiberglass with rubber seal	2.83 g [0.1 oz]
97581503	<--->	Surface mounting enclosure for 1 beacon with 37mm (PG 29) mounting installation		Polycarbonate/ ABS blend	8.5 g [0.3 oz]
97581507	<--->	Surface mounting enclosure for 2 beacons with 37mm (PG 29) mounting installation			14.17 g [0.5 oz]
97581508	<--->	Surface mounting enclosure for 3 beacons with 37mm (PG 29) mounting installation		17.0 g [0.6 oz]	
97581522	<--->	Anti-twist washer for beacons with 37mm (PG 29) mounting installation		304 Stainless steel	0.57 g [0.02 oz]
Freestanding Beacon Accessories					
96000001	<--->	Bracket for tube mounting - for use with 219 and 209 series industrial signal beacons.	-4°F to 122°F [-20°C to 50°C]	Polyamide	57 g [2.01 oz]
97520901	<--->	Plastic Base with integrated tube for WERMA industrial signal beacons- for use with 209 and 219 series beacons		Polyamide	0.1 lbs [1.6 oz]
97520902	<--->	Cable gland for WERMA industrial signal beacons: M25x1.5, plastic - for use with 209 and 219 series industrial signal beacons		Nylon	0.1 lbs [1.6 oz]
97582603	<--->	Galvanized Wire Guard for WERMA industrial signal beacons - for use with 826, 827, 828 and 829 series industrial signal beacons		Wire D 3mm, chromed	140 g [4.93 oz]
97582605	<--->	Plastic Bracket for wall mounting for use with WERMA signal beacons - for use with 826, 827, 828 and 829 series industrial signal beacons		Polycarbonate/ ABS blend	62g [2.19 oz]



Beacon Accessories

Dimensions mm [in.]

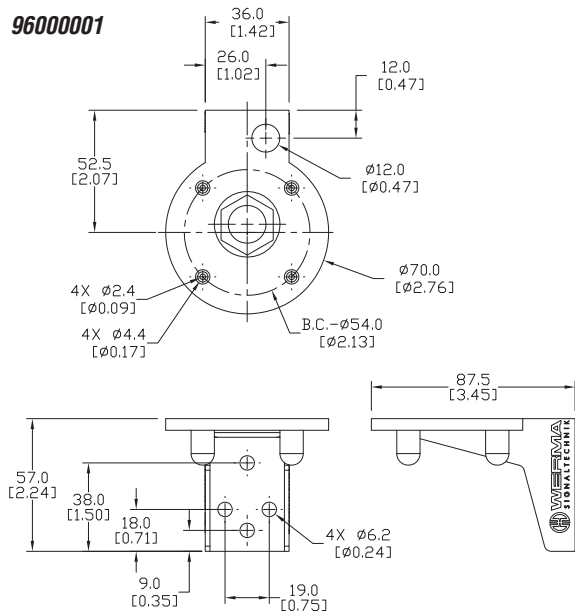


PART #	DIM A	DIM B	DIM C	DIM D	E # OF HOLES EQUALLY SPACED
97581503	105.8[4.17]	55.2[2.17]	80.2[3.16]	67.0[2.64]	1
97581507	185.7[7.31]	55.2[2.17]	160.3[6.31]	147.1[5.79]	2
97581508	266.7[10.50]	60.9[2.40]	241.3[9.50]	228.1[8.98]	3

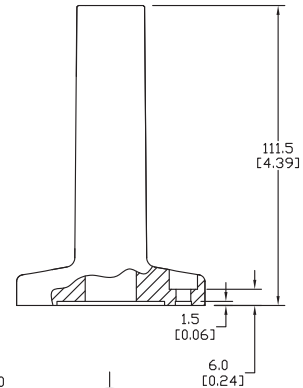
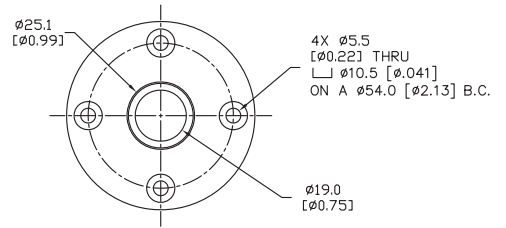
Beacon Accessories

Dimensions mm [inches]

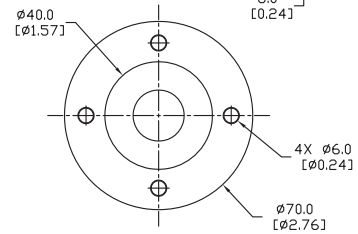
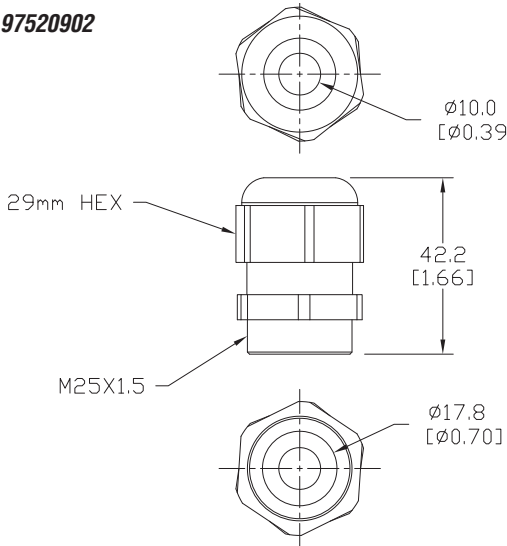
96000001



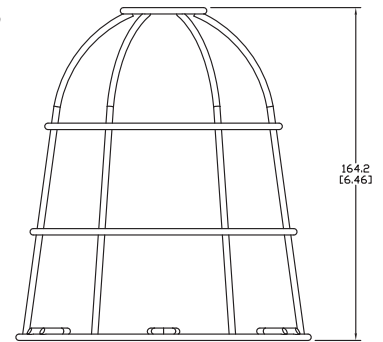
97520901



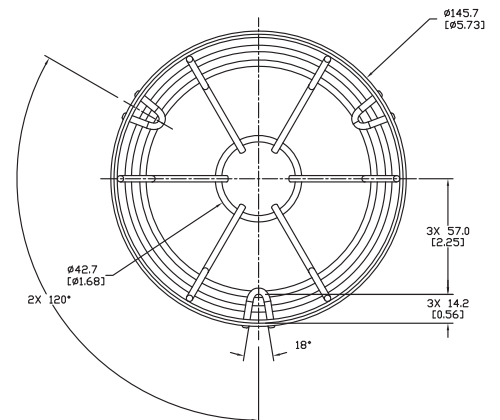
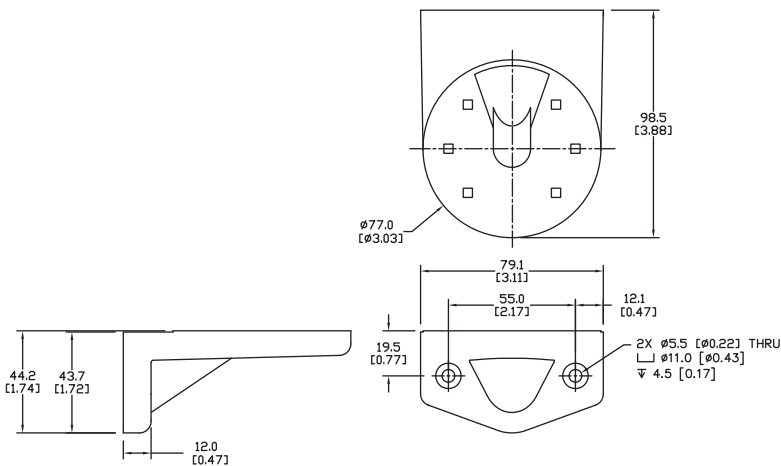
97520902



97582603



97582605



WERMA Signaling Overview



Description

WERMA offers a wide range of signaling devices for either installation panel or surface mount applications. Modern designs and the latest LED technology provides exceptionally clear and bright signalling.

Installation Beacons and Audible Signal Devices

WERMA installation beacons are designed for mounting in panels or enclosures. A characteristic of this beacon type is that the rear fixture uses a central nut.

- Permanent, blinking, flashing, or LED beacons
- High protection rating IP65
- Beacons in 29, 57/58, and 75 mm beacon diameters
- Audible modules with sight/sound combinations
- Signal modules come in common voltages (24V AC/DC, 115 VAC, and 230 VAC)
- Five colors
- For installation in 22.5 or 34 mm cutouts

Freestanding Beacons

WERMA freestanding beacons offer a range of modules including: permanent, blinking, flashing, LED EVS, and LED rotating.

- Base, bracket or tube mounting
- Incandescent, LED, or Xenon light sources
- High protection rating IP65
- 57/58/75/98 beacon diameters available
- Tall lens option available
- Signal modules in common voltages (24V AC/DC, 115 VAC, and 230 VAC)
- Five colors available

Beacon Accessories

Accessories for installation and freestanding beacons:


- Tube adapter, mounting base, surface-mounting enclosures, washers, for installation beacons
- Wire guard, wallmount bracket, bracket, base and tube, and cable gland for freestanding beacons



Selecting Your WERMA Beacon

▶ STEP 1

Select the required panel or freestanding beacon or buzzer for your application



Optical Signal Elements

- Incandescent Permanent Light
- LED Permanent Light
- Xenon Flashing Light
- LED Flashing Light
- LED Blinking Light
- LED Rotating Light
- LED Double Flashing Light
- LED EVS (Enhanced Visibility System) Flashing Light

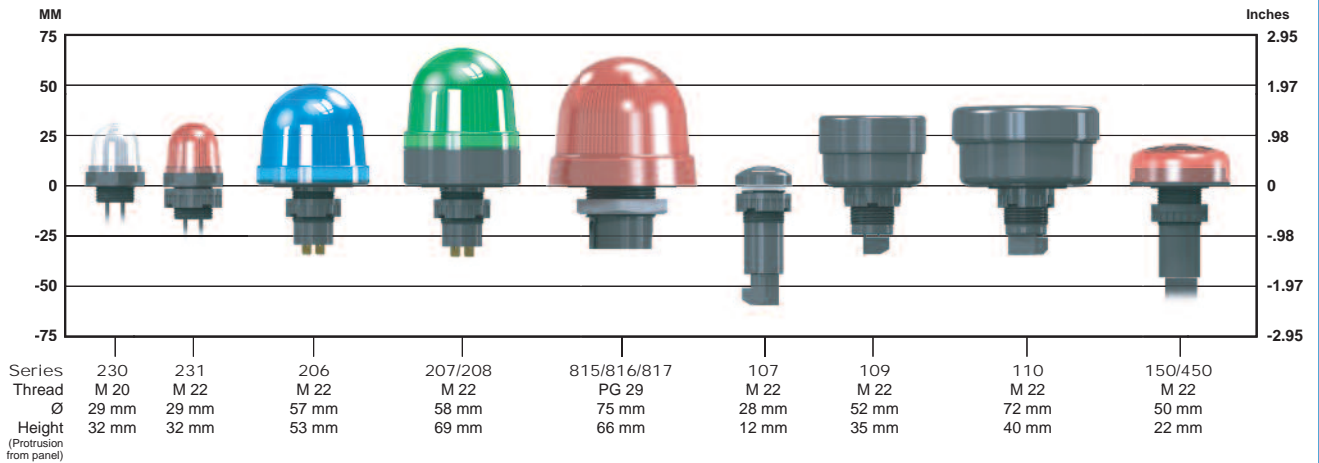
Audible Signal Elements

- Buzzer Element
- Buzzer Element with Acknowledgment Function

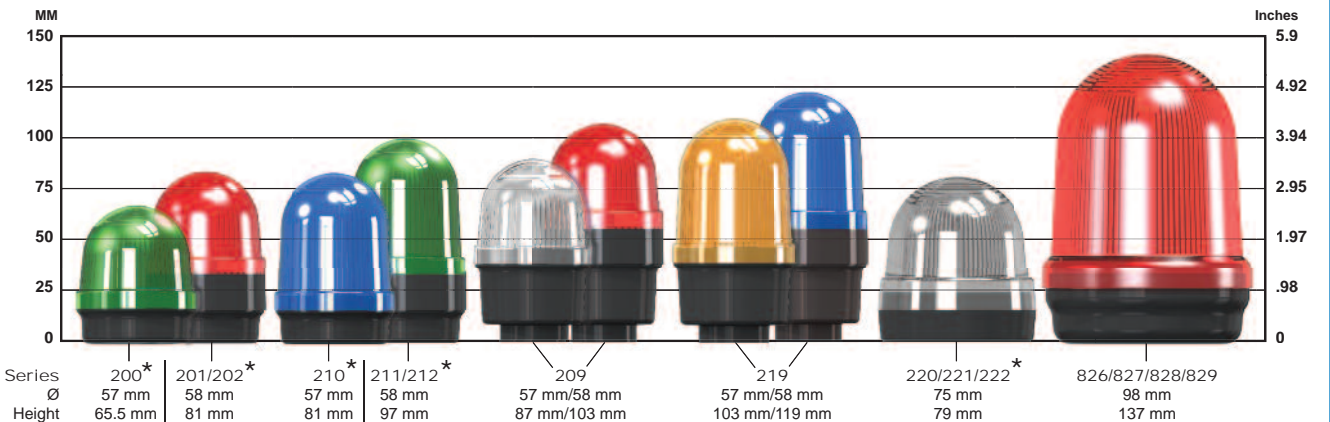
▶ STEP 2

Select the required beacon height/depth for your application from either the panel beacons and buzzers or free-standing beacons.

Installation Beacons and Buzzers



Freestanding Beacons



*Bracket mount also available

Selecting Your WERMA Beacon

STEP 3

Select the correct mount for your application

STEP 4

Where appropriate, select a mounting accessory for your PG29, base-mounted, or tube-mounted beacon.

