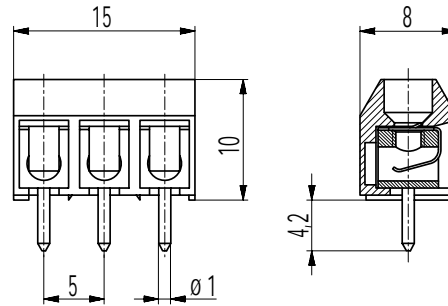


950-FB

Socket terminal strip
Plug connection



GENERAL INFORMATION

Pitch	5 mm
No. of poles	2 - 32
Usable with	plug connector 951-SV

TECHNICAL DATA

Overvoltage Category	III	III	II
Pollution Severity Level	3	2	2
Rated Voltage	160 V	160 V	320 V
Rated Impulse Voltage	2,5 kV	2,5 kV	2,5 kV
Rated Current	6 A		
Hole in PCB	ø 1,3 mm		
Other specifications	2-8 poles types are "no-flame" acc. to glow-wire test		

APPROVALS

	Current [A]	Voltage [V]	Group	AWG	[Nm]
	7	300	B		
	7	300	B		
	Current [A]	Voltage [V]	mm ²		
	13,5	160 [1]			

MATERIAL

Moulding	PA, grey, V-0
Comparative Tracking Index	2-8 poles: CTI ≥ 600; 9-32 poles: CTI 400
Insulating Group	2-8 poles: I; 9-32 poles: II
Temperature Range	-40°C up to 100°C
Terminal body	Tin plated brass
Solder pin	ø 1 mm; tin plated copper alloy
Spring	Stainless strip steel

OPTIONS / ACCESSORIES

- Consecutive numbering
- Special marking according to drawing
- Self-adhesive marking strip BST-5,00
- Pitch of 10 mm for larger clearance and creepage distances
- Longer solder pins up to 75 mm
- Version with lateral latching elements

[1] Acc. to IEC 60947-7-4 und IEC 60947-1

CONFIGURATIONS

Poles	Part number	Article number	Length (L)	Packaging	PU
2	950-FB/02	80.871.006	10,00 mm	Box	250
3	950-FB/03	80.871.053	15,00 mm	Box	250
4	950-FB/04	80.871.054	20,00 mm	Box	100
5	950-FB/05	80.871.055	25,00 mm	Box	100
6	950-FB/06	80.871.056	30,00 mm	Box	100

further number of poles on request

