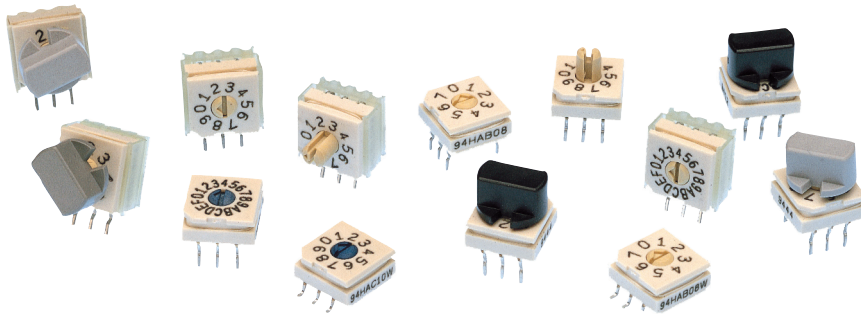


**SERIES 94H**  
Binary Coded



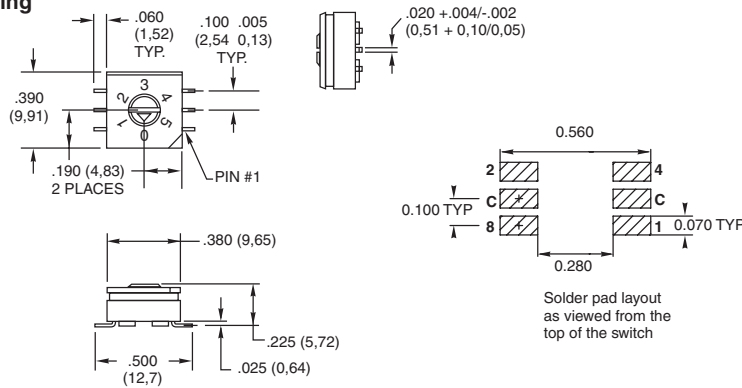
**FEATURES**

- Sealed Construction; No Tape Seal Required
- Surface Mount or Thru-Hole Style
- Tube or Tape and Reel Packaging
- Octal, BCD, and Hexadecimal Code
- In Standard or Complement
- Standard and Right Angle Mount
- Flush or Extended Actuators
- Gold-Plated Contacts
- RoHS Compliant

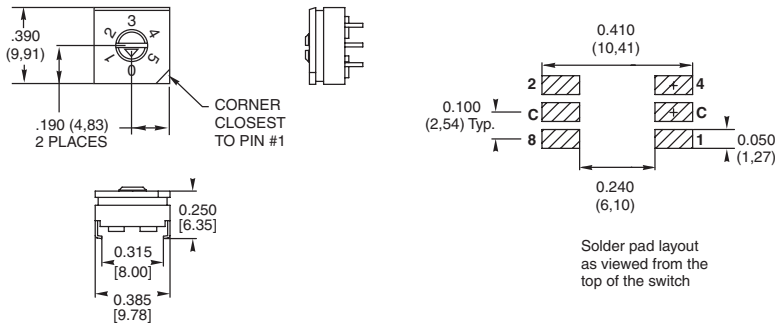
**DIMENSIONS** in inches (and millimeters)

Tolerances are ± .010 inches unless specified otherwise.

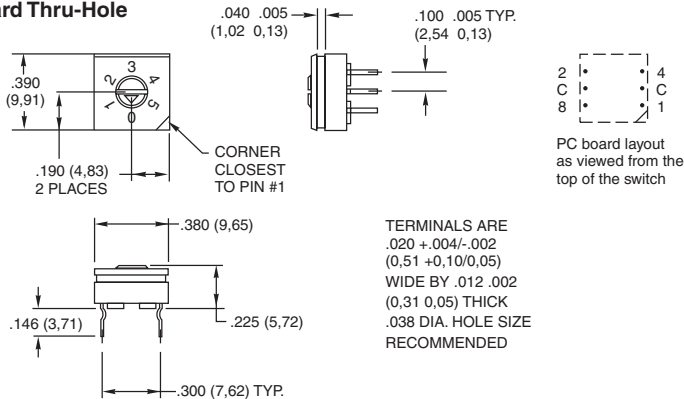
**Surface Mount Gullwing**



**Surface Mount J-Lead**



**Standard Thru-Hole**



**ACTUATOR STYLES**



**Octal-8 position**



**BCD-10 position**



**Hex-16 position**

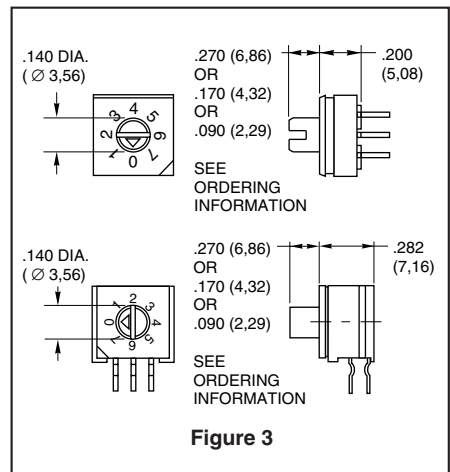


**Figure 2**  
"F" style rotor

**Figure 1**  
"A" style rotor

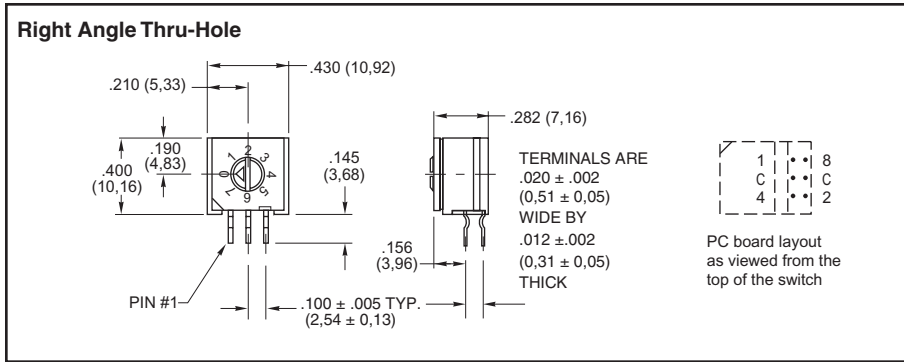
All actuation types are available in octal (8), binary coded decimal (10), or hexadecimal (16) codes; with either standard or complement output. Standard code outputs have natural color rotors; complements in a contrasting color.

**EXTENDED ACTUATOR TYPES**

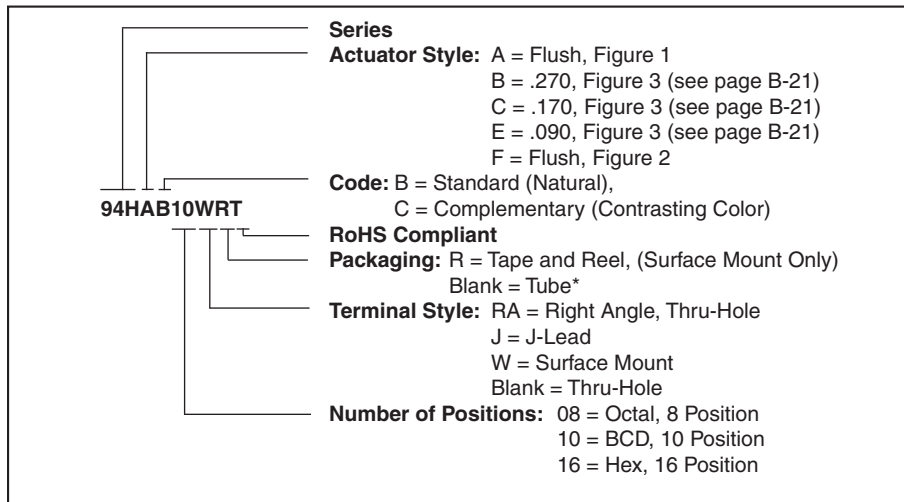


**Figure 3**

## DIMENSIONS in inches (and millimeters)

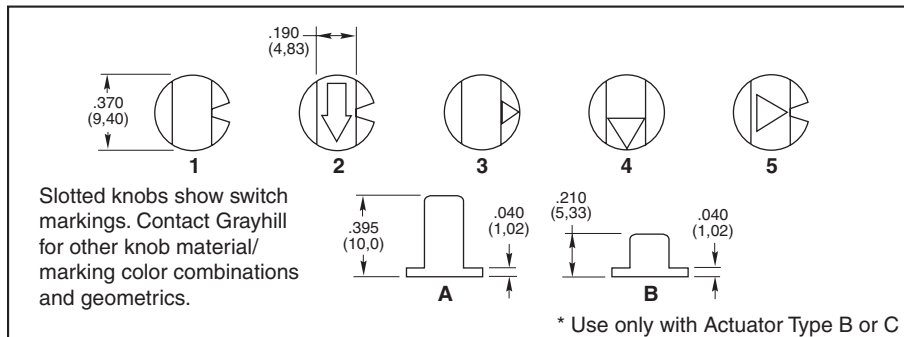


## ORDERING INFORMATION: Series 94H



\* 27 Pieces per tube for surface mount and thru-hole, 24 pieces per tube for right angle switches.

## SERIES 94 High Temperature Knobs: For Shaft Extensions

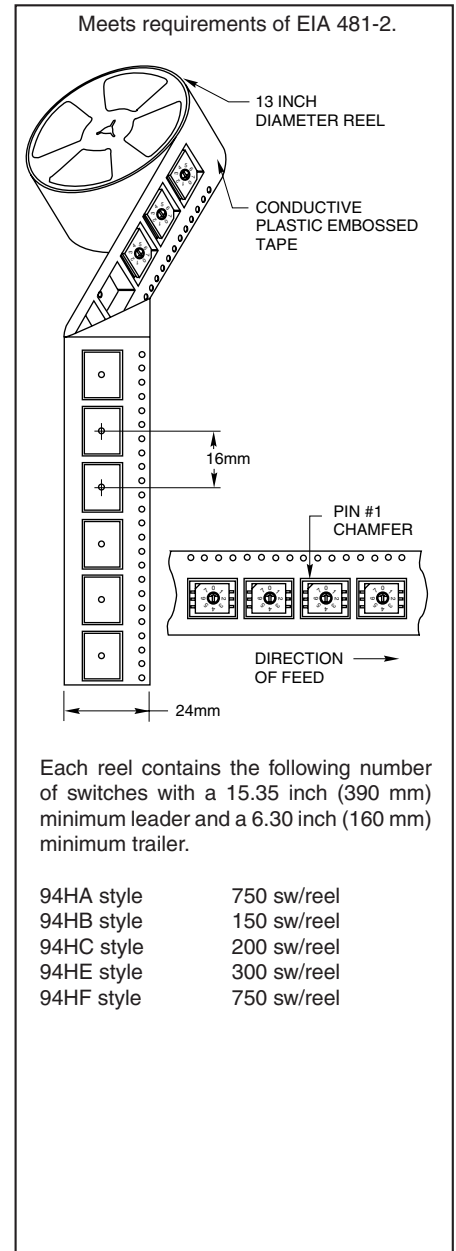


## ORDERING INFORMATION: Series 94 High Temperature Knobs\*

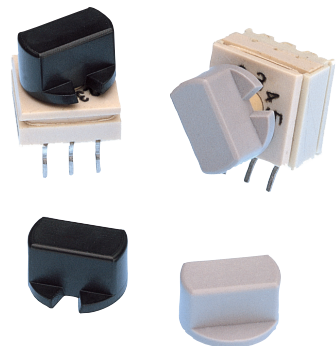
Knob Style and Height	Knob Color	Arrow Color	Part Number
1A	Gray	N/A	947706-001
5A	Gray	Black	947706-005
1B	Black	N/A	947705-001
1B	Gray	N/A	947705-012
2B	Gray	White	947705-004
3B	Gray	Black	947705-017
4B	Gray	Black	947705-018
1B	Natural	N/A	947705-009
4B	Black	White	947705-010
5B	Gray	Black	947705-019

\*Ordered as a separate item. B = Standard (Natural), C = Complementary (Contrasting Color).

## TAPE AND REEL PACKAGING: Series 94H



94HA style	750 sw/reel
94HB style	150 sw/reel
94HC style	200 sw/reel
94HE style	300 sw/reel
94HF style	750 sw/reel



Available from your local Grayhill Distributor. For prices and discounts, contact a local Sales Office, an authorized Distributor or Grayhill.