

**PLEASE CHECK WWW.MOLEX.COM FOR LATEST PART INFORMATION**

**Part Number:** [0945069000](#)  
**Status:** **Active**  
**Overview:** Standard Quick-Disconnect Terminals  
**Description:** Quick Disconnect Safelock Housing, accepts 6.35 x 0.81mm Female Tab Terminal, 14-20 AWG Wire, 1 Circuit

**Documents:**

[3D Model](#) [RoHS Certificate of Compliance \(PDF\)](#)  
[Drawing \(PDF\)](#)

**Agency Certification**

CSA LR19980  
 UL E29179

**General**

Product Family Crimp Housings  
 Series [94506](#)  
 Application Power  
 Overview [Standard Quick-Disconnect Terminals](#)  
 Product Name Quick Disconnect, Safelock  
 UPC 800754331449

**Physical**

Breakaway No  
 Circuits (maximum) 1  
 Color - Resin White  
 Flammability 94V-2  
 Gender Receptacle  
 Glow-Wire Compliant No  
 Lock to Mating Part None  
 Material - Resin Nylon  
 Net Weight 0.572/g  
 Number of Rows 1  
 Packaging Type Bag  
 Panel Mount No  
 Pitch - Mating Interface N/A  
 Pitch - Termination Interface N/A  
 Polarized to Mating Part No  
 Temperature Range - Operating -40°C to +105°C

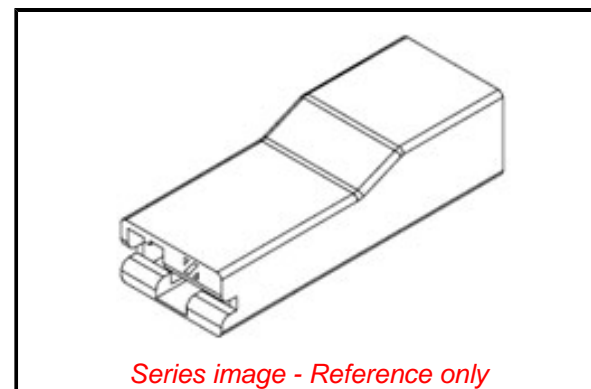
**Solder Process Data**

Lead-freeProcess Capability N/A

**Material Info**

**Reference - Drawing Numbers**

Sales Drawing SD-94506-001



*Series image - Reference only*

**EU ELV**

**Compliant**

**EU RoHS**

**Compliant**

**REACH SVHC**

Not Contained Per - ED/30/2017 (7 July 2017)

**Halogen-Free**

**Status**

**Not Relevant**

**Need more information on product environmental compliance?**

Email [productcompliance@molex.com](mailto:productcompliance@molex.com)  
 Please visit the [Contact Us](#) section for any non-product compliance questions.

China ROHS	Not Relevant
ELV	Compliant
RoHS Phthalates	Not Contained

**Search Parts in this Series**

[94506 Series](#)

**Use With**

[94506-0100](#)

**PLEASE CHECK WWW.MOLEX.COM FOR LATEST PART INFORMATION**