

PLEASE CHECK WWW.MOLEX.COM FOR LATEST PART INFORMATION

Part Number: [0940956040](#)
Status: **Active**
Overview: Standard Quick-Disconnect Terminals
Description: Quick Disconnect Housing, accepts 4.75mm x 0.81mm Female Tab Terminal, 14-20 AWG Wire, 1 Circuit

Documents:

[3D Model](#) [Product Specification PS-94090-001 \(PDF\)](#)
[Drawing \(PDF\)](#) [RoHS Certificate of Compliance \(PDF\)](#)

General

Product Family	Crimp Housings
Series	94095
Application	Power, Wire-to-Wire
Overview	Standard Quick-Disconnect Terminals
Product Name	Quick Disconnect
UPC	800754329033

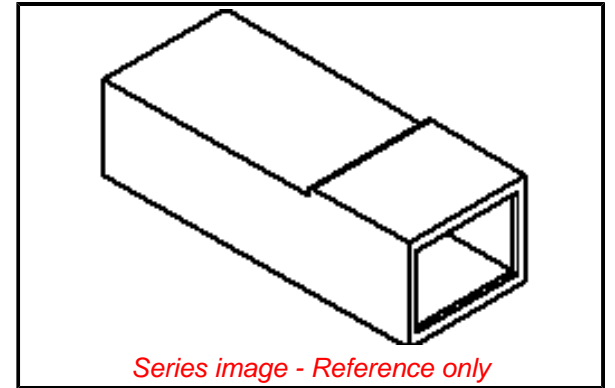
Physical

Breakaway	No
Circuits (maximum)	1
Color - Resin	White
Gender	Receptacle
Glow-Wire Capable	No
Lock to Mating Part	None
Material - Resin	Nylon
Net Weight	0.460/g
Number of Rows	1
Packaging Type	Bag
Panel Mount	No
Pitch - Mating Interface	N/A
Pitch - Termination Interface	N/A
Polarized to Mating Part	Yes
Temperature Range - Operating	-40° to +105°C

Material Info

Reference - Drawing Numbers

Product Specification	PS-94090-001
Sales Drawing	SD-94095-004



EU ELV

Compliant

EU RoHS

Compliant

REACH SVHC

Not Contained Per -
ED/61/2018 (27 June
2018)

Halogen-Free

Status

Not Relevant

Need more information on product environmental compliance?

Email productcompliance@molex.com
Please visit the [Contact Us](#) section for any non-product compliance questions.

China ROHS	Not Relevant
ELV	Compliant
RoHS Phthalates	Not Contained

Search Parts in this Series

[94095](#) Series

Use With

94030-402*|94030-576*|94030-403*|
94030-453*|94030-454*