



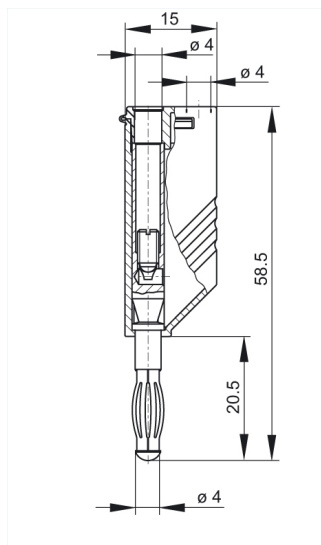
LAS N WS blau/blue

Industrial Connectors:Measuring and Testing Equipment:Plugs:4 mm system

Product description

| | |
|----------------------|---|
| Description | Connector for tower construction with screw connection for leads from 0.5 mm ² to 1.5 mm ² , outer diameter of lead max. 4.2 mm. Plug 4 mm with caged spring, not contact-protected. Simple assembly by "Click-System". |
| Type | LAS N WS blau/blue |
| Order No. | 934 100-102 |
| System | 4 mm system |
| Housing Color | blue |
| Other standard types | black color, order no. 934 100-100; red color, order no. 934 100-101; yellow color, order no. 934 100-103; green color, order no. 934 100-104 |

Drawing



Technical data

| | |
|---------------------|----------------------------|
| Pin dimensions | 4 mm with laminated spring |
| Type of contact | pin (spring-loaded) |
| Type of termination | screw |
| Rated voltage | DC 60 V |
| Rated current | 24 A |
| Contact resistance | 3 mOhm |

Material

| | |
|--------------------------|------------------|
| Contact material | copper beryllium |
| Contact surface material | nickel-plated |
| Housing material | PA |

Environmental conditions

Temperature range -15 °C to +70 °C

Inflammability class

Housing 94 HB