



## Product information GO 6 FAV M schwarz/black

Industrial Connecting Solutions:Rectangular Connectors:DIN VDE 0627 / IEC 61984 Connectors (G serie):Cable plug:GO 6 FAV M schwarz/black

<https://www.e-catalog.beldensolutions.com:443/link/57078-24228-256261-24347-24349-36973/en/conf/ui/state>

Name GO 6 FAV M schwarz/black



Surface mounted connector with flange with solder contacts

### Delivery informations

Availability available

### Product description

Description Surface mounted connector with flange with solder contacts

Type GO 6 FAV M schwarz/black

Order No. 932 669-100

Type of contact blade contacts

Number of contacts 6

Standard DIN VDE 0627 / IEC 61984

Housing Color black

### Technical data

Pin dimensions 2.8 mm x 0.8 mm

Rated voltage AC/DC 50 V

Rated current 6 A

Contact resistance  $\leq 4 \text{ m}\Omega$

Type of termination solder

Mounting screws

### Material

Contact surface material Sn

Contact bearer material PA

Housing material PA

### Environmental conditions

Protection class (IEC 60529) IP 65

Pollution severity 3

Temperature range -40 °C to +90 °C

### Inflammability class

Housing 94 V-1

Contact bearer 94 V-1

### Packing unit

Packaging unit 100 pieces

### Scope of delivery and accessories

Scope of delivery 1 surface mounted connector, 1 flat gasket

Accessories to order separately can be plugged into GO 6 WF schwarz/black



# HIRSCHMANN

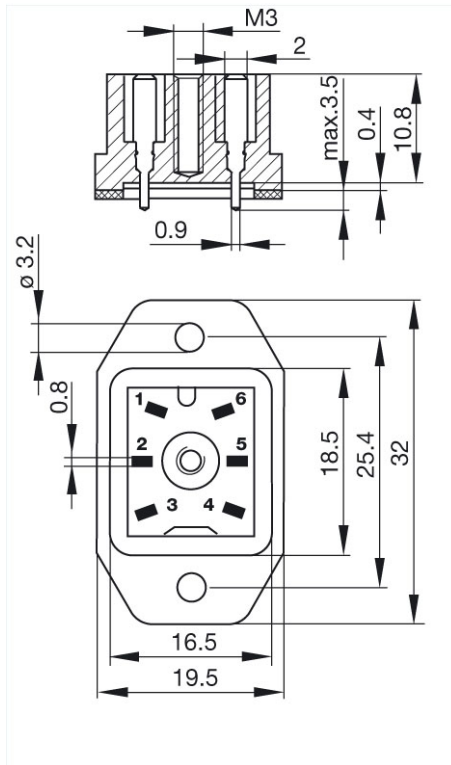
A BELDEN BRAND

Industrial Connecting Solutions:Rectangular Connectors:DIN VDE 0627 / IEC 61984 Connectors (G serie):Cable plug:GO 6 FAV M schwarz/black

<https://www.e-catalog.beldensolutions.com:443/link/57078-24228-256261-24347-24349-36973/en/conf/ui/state>

Picture

Drawing



#### Belden Deutschland GmbH

Im Gewerbepark 2

58579 Schalksmühle

Germany

Phone: +49 7127/14-1806

E-Mail: [icos-sales@belden.com](mailto:icos-sales@belden.com)

The information published in the websites has been compiled as carefully as possible. It is subject to alteration without notice in technical as well as in price-related/commercial respect. The complete information and data were available on user documentation. Mandatory information can only be obtained by a concrete query.