




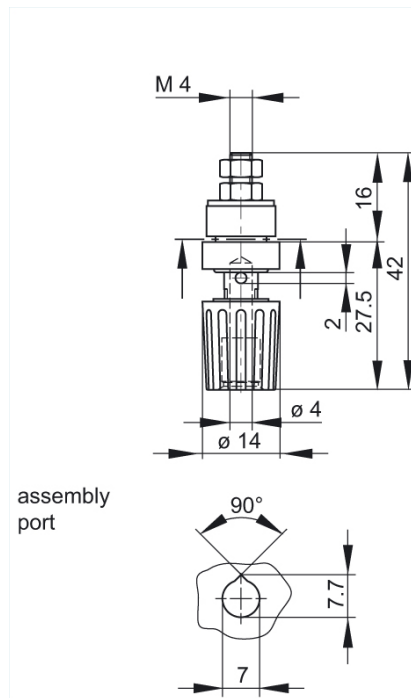
## PKI 110 rot/red

Industrial Connectors:Measuring and Testing Equipment:Sockets:4 mm system

### Product description

Description	Pole terminal with claw edge, captive insulated head and insulated ring. 4 mm diameter nickel-plated brass threaded bolt with 2 mm diameter transverse hole. For insulated, non-rotating installation in equipment chassis and switch panels up to 3.5 mm wall thickness.
Type	PKI 110 rot/red
Order No.	931 714-101
System	4 mm system
Housing Color	red
Color types	
Other standard types	black color, order no. 931 714-100; blue color, order no. 931 714-102; yellow color, order no. 931 714-103; green color, order no. 931 714-104; yellow/green color, order no. 931 714-188

### Drawing



Technical data	
Type of contact	socket
Type of termination	M 4 thread
Rated voltage	DC 60 V
Rated current	35 A
Contact resistance	2 mOhm
Mounting	screw
Material	
Contact material	brass
Contact surface material	nickel-plated
Housing material	PA
Environmental conditions	
Temperature range	-25 °C to +100 °C
Inflammability class	
Housing	94 V-2