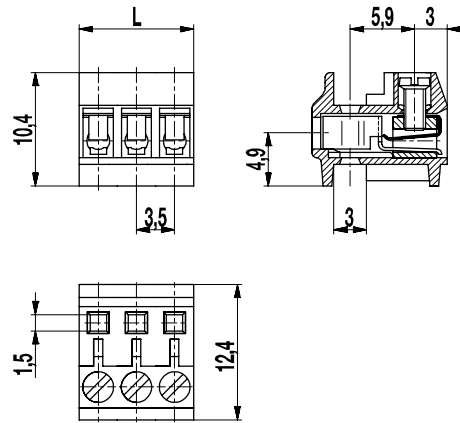
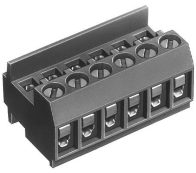


# 930-FL(-DS)

Plug connector  
Screw connection



## GENERAL INFORMATION

Pitch	3,5 mm
No. of poles	2 - 24
Usable with	pin strip 931-SLR-THR-1,1; 931-SLR-SMD-1,1

## TECHNICAL DATA

Clamping Range	<i>solid / stranded / AWG</i>		
without wire protector	0,34 - 1,5 mm <sup>2</sup> / 0,34 - 1 mm <sup>2</sup> / 22 - 18 AWG		
with wire protector	0,14 - 0,75 mm <sup>2</sup> / 0,14 - 0,75 mm <sup>2</sup> / 26 - 20 AWG		
Rated Cross Section	0,75 mm <sup>2</sup>		
Wire Stripping Length	5 mm ± 0,5 mm		
Overvoltage Category	III	III	II
Pollution Severity Level	3	2	2
Rated Voltage	160 V	160 V	320 V
Rated Impulse Voltage	2,5 kV	2,5 kV	2,5 kV
Rated Insulation Voltage	130 V acc. to EN 60998-1		
Rated Current	6 A		
Torque	0,2 Nm		

## APPROVALS

	Current [A]	Voltage [V]	Group	AWG	[Nm]
	6	300	B	30 - 18	0,23
	6	300	B	30 - 18	0,2

## MATERIAL

Moulding	PA, grey, V-0
Comparative Tracking Index	CTI ≥ 600
Insulating Group	I
Temperature Range	-40°C up to 100°C
Terminal body	Nickle plated brass
Screw	M2; zinc plated steel, blue passivated.
Wire protector	German silver
Spring	Tin plated tin bronze

## OPTIONS / ACCESSORIES

- Consecutive numbering
- Special marking according to drawing
- Self-adhesive marking strip BST-3,50
- Pitch of 7 mm for larger clearance and creepage distances

## CONFIGURATIONS

Poles	Part number	Article number	Part number	Article number	Length (L)	Packaging	PU
2	930-FL/02	10.870.302	930-FL-DS/02	20.870.302	7,00 mm	Box	250
3	930-FL/03	10.870.303	930-FL-DS/03	20.870.303	10,50 mm	Box	250
4	930-FL/04	10.870.304	930-FL-DS/04	20.870.304	14,00 mm	Box	250
5	930-FL/05	10.870.305	930-FL-DS/05	20.870.305	17,50 mm	Box	100
6	930-FL/06	10.870.306	930-FL-DS/06	20.870.306	21,00 mm	Box	100

