




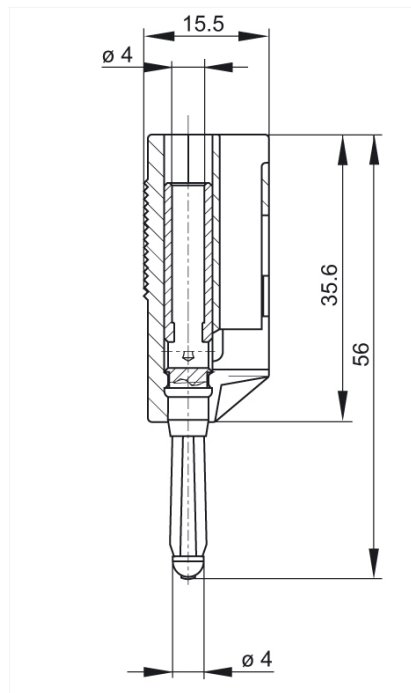
## BSB 20 K schwarz/black

Industrial Connectors:Measuring and Testing Equipment:Plugs:4 mm system

### Product description

|                      |  |
|----------------------|--|
| Description          | Multiple-spring wire plug with longitudinal or transverse cable entry in tower construction.<br>Screw connection up to maximum cable cross-section of 2.5 mm <sup>2</sup> and external diameter of 4 mm. Nickel-plated brass contact material. |
| Type                 | BSB 20 K schwarz/black   |
| Order No.            | 930 729-100  |
| System               | 4 mm system  |
| Housing Color        | black  |
| Color types          |   |
| Other standard types | red color,<br>order no. 930 729-101;<br>blue color,<br>order no. 930 729-102;<br>yellow color,<br>order no. 930 729-103;<br>green color,<br>order no. 930 729-104  |

### Drawing



### Technical data

|                                 |                             |
|---------------------------------|-----------------------------|
| Pin dimensions                  | 4 mm                        |
| Type of contact                 | pin (spring-loaded), socket |
| Type of termination             | screw                       |
| Rated voltage                   | DC 60 V                     |
| Rated current                   | 30 A                        |
| Contact resistance              | 3 mOhm                      |
| <b>Material</b>                 |                             |
| Contact material                | brass                       |
| Contact surface material        | nickel-plated               |
| Housing material                | PP                          |
| <b>Environmental conditions</b> |                             |
| Temperature range               | -25 °C to +100 °C           |
| <b>Inflammability class</b>     |                             |
| Housing                         | 94 V-2                      |