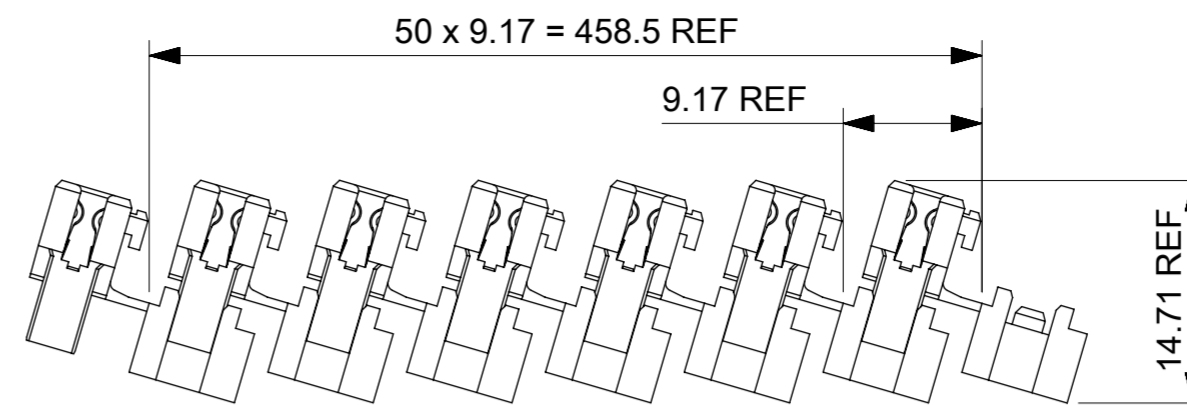
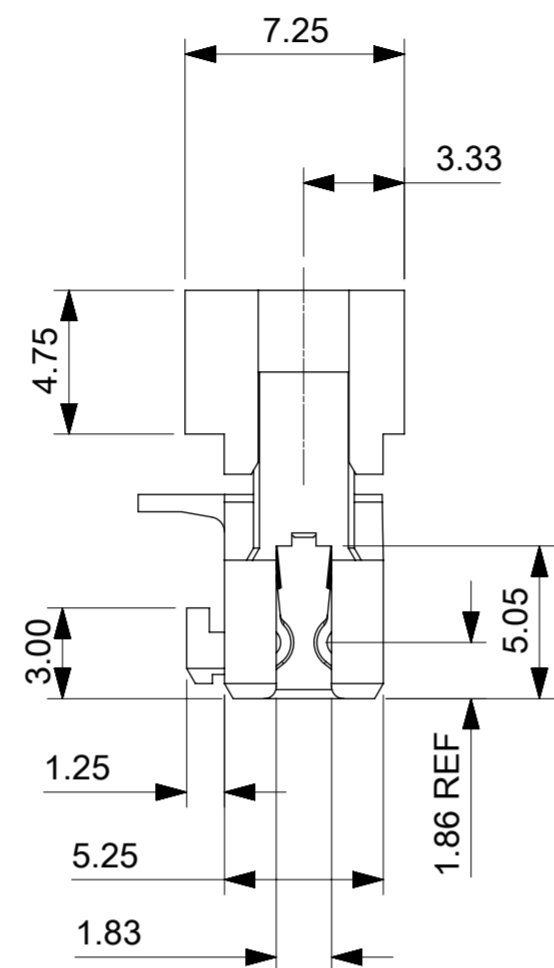
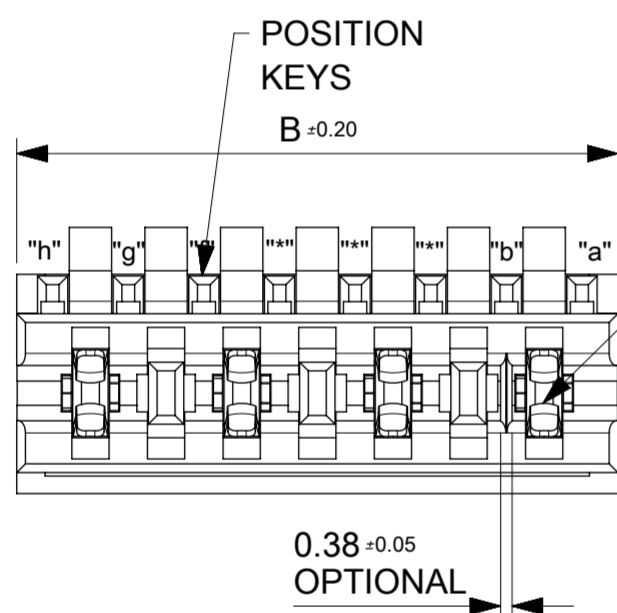
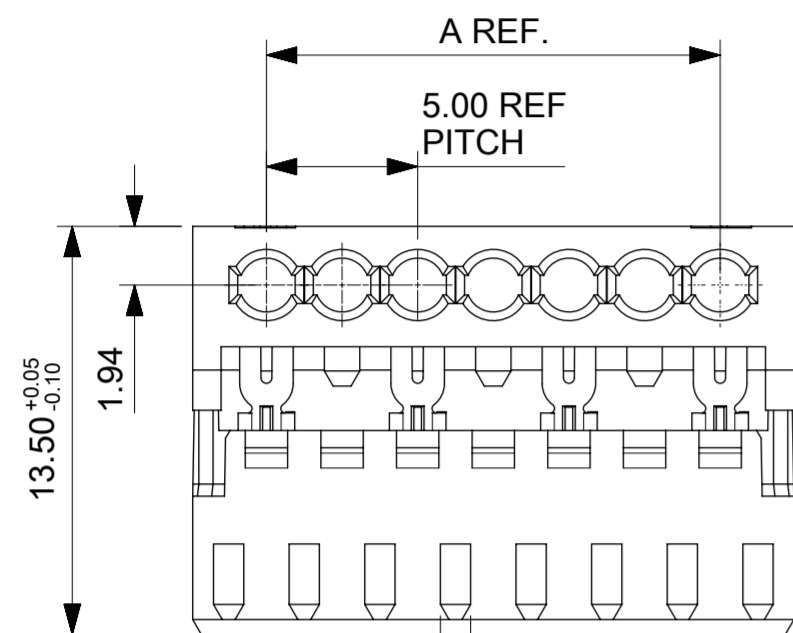
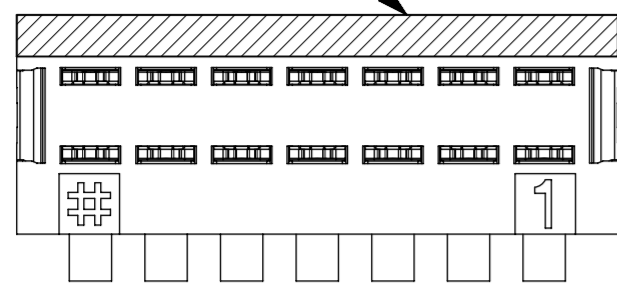
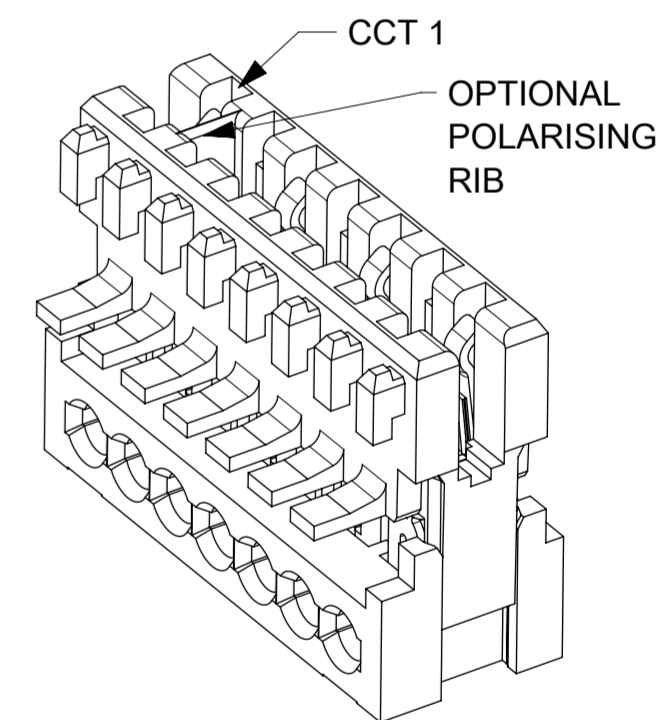


POSITION OF COLOUR STRIPE (see note 3)

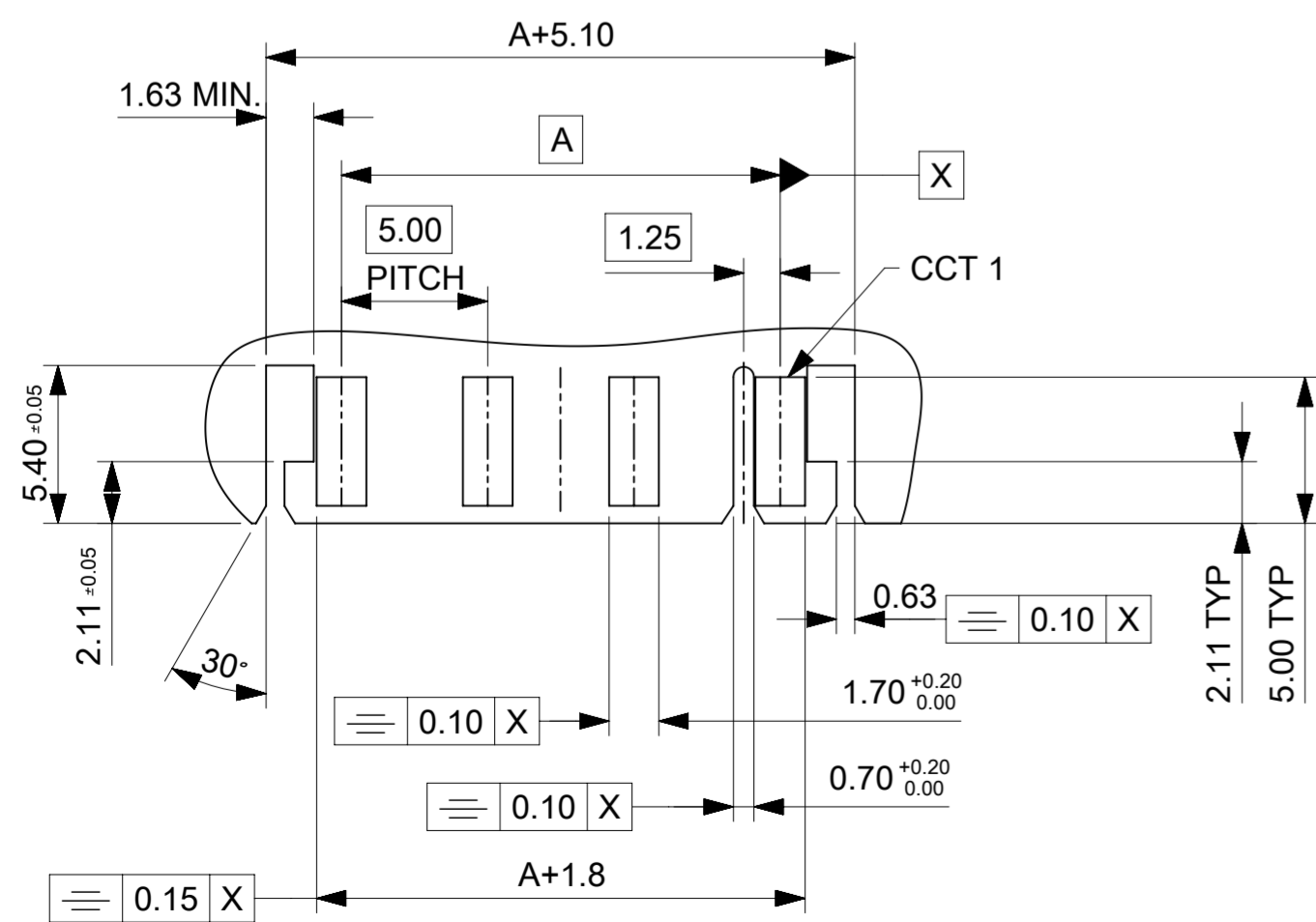


SHIPPING ARRANGEMENT SCALE 2:1

CCT	A	B
2	5	9.875
3	10	14.875
4	15	19.875
5	20	24.875
6	25	29.875
7	30	34.875
8	35	39.875
9	40	44.875
10	45	49.875



OPEN END WALLS OPTION.

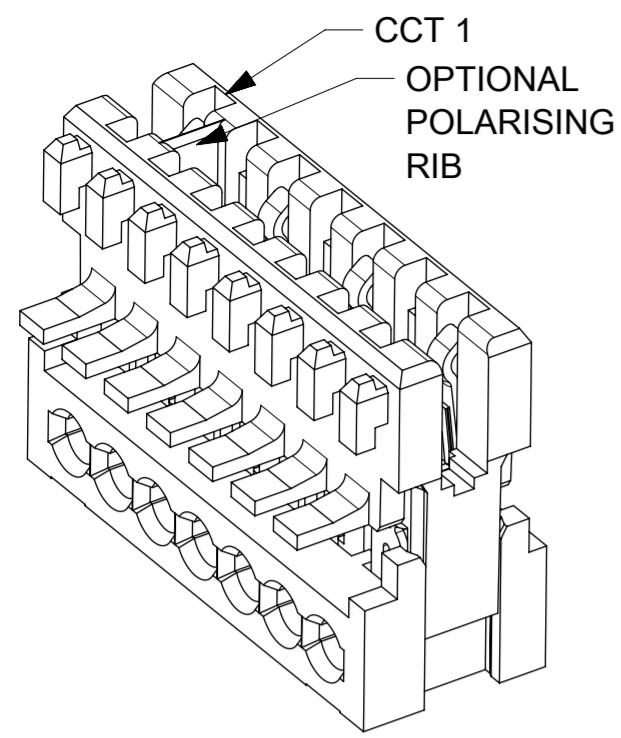


- PCB LAYOUT FOR 4CCT (5mm) CONNECTOR (WITH OPTIONAL POSITIONAL RIB SLOT BETWEEN CCT 1 & 2)
 - RECOMMENDED PCB THICKNESS 1.5±0.14

NOTES:

- REFER TO PRODUCT SPECIFICATION: PS-99020-0040.
- MATERIAL: HOUSING - POLYAMIDE 6 (PA6) UL94-V2, COLOUR: NATURAL.
 TERMINAL: PHOSPHOR BRONZE 0.30 REF. THICK - PLATING HOT TIN DIP.
- COLOUR STRIPE IS OPTIONAL. AVAILABLE IN THE FOLLOWING COLOURS: RED, GREEN, BLUE, ORANGE, BLACK, YELLOW, BROWN AND VIOLET.
 (BLACK SIGNIFIES CUSTOMER SPECIFIC CONFIGURATION).
- REFER TO PACKAGING SPEC (PK-90871-001)
- REFER TO APPLICATION SPEC (AS-99033-0008)
- REFER TO WORK INSTRUCTION (WI1643)

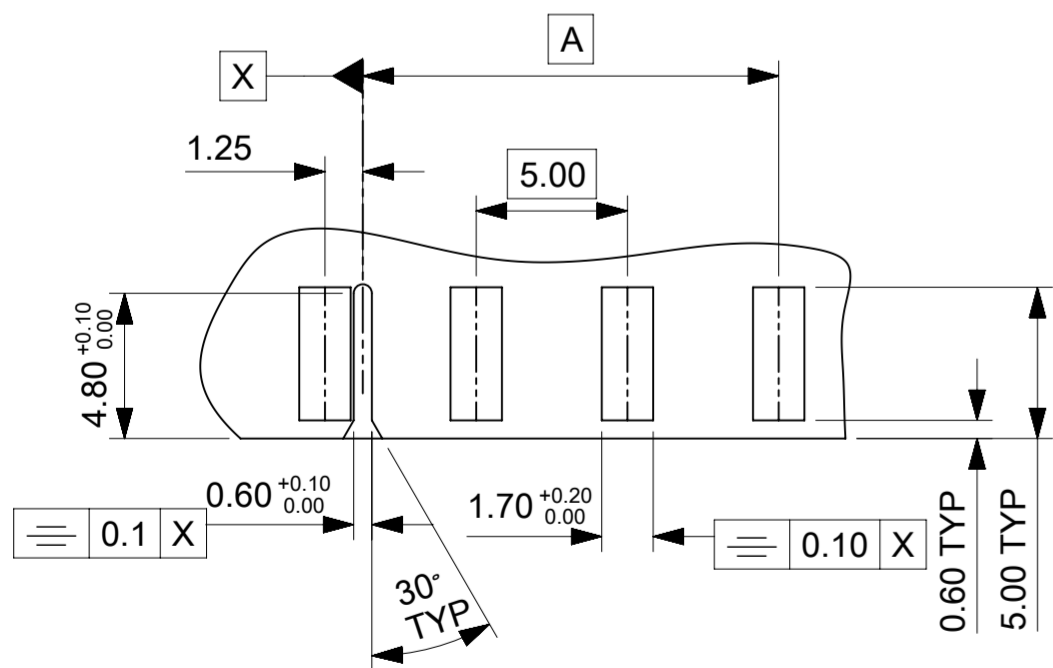
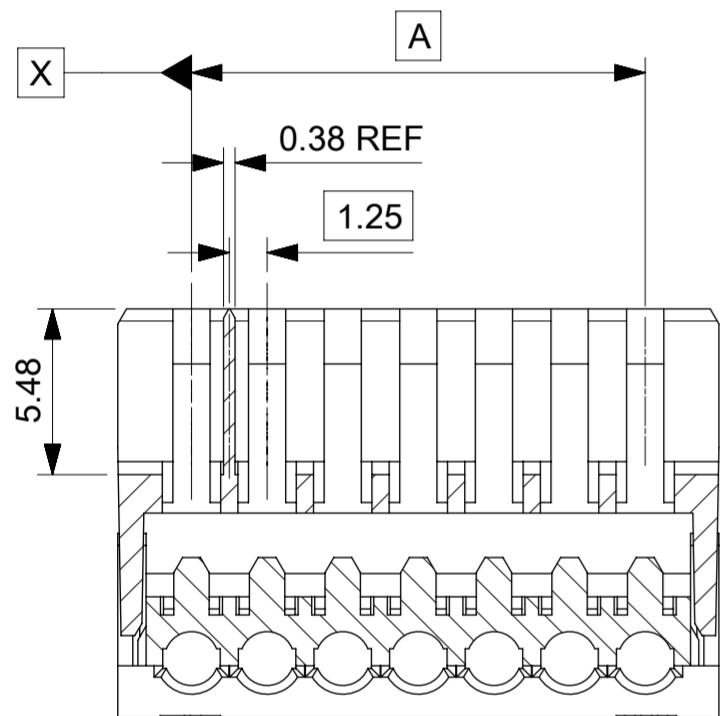
QUALITY SYMBOLS	THIS DRAWING CONTAINS INFORMATION THAT IS PROPRIETARY TO MOLEX ELECTRONIC TECHNOLOGIES, LLC AND SHOULD NOT BE USED WITHOUT WRITTEN PERMISSION		DIMENSION UNITS	SCALE	molex
▽ = 0 ▽ = 0 ▽ = 0 ▽ = 0 ▽ = 0 □ = 0 ■ = 0 ▽ = 0	EC NO: 106394 DRWN: AKABADI CHKD: CMONAHAN REV: APPR: BRUTTLE	2016/06/28 2016/08/21 2016/08/22	MM	4:1	
GENERAL TOLERANCES (UNLESS SPECIFIED)			DRWN BY	DATE	APPLI-MATE 2.5 FEMALE G.W.T. 750 VERSION 5MM PITCH
ANGULAR TOL ± 0.5 °			CFISHER01	2016/01/19	
4 PLACES ±			CHK'D BY	DATE	
3 PLACES ± 0.05			CMONAHAN	2016/02/02	
2 PLACES ± 0.1			APPR BY	DATE	
1 PLACE ± 0.2			MSHANAHAN	2016/02/09	PRODUCT CUSTOMER DRAWING
0 PLACES ±			DRAWING SIZE	THIRD ANGLE PROJECTION	SERIES
DRAFT WHERE APPLICABLE MUST REMAIN WITHIN DIMENSIONS			A2		93051
					MATERIAL NUMBER
					SEE TABLES SHT 5-9
					CUSTOMER
					DOCUMENT NUMBER
					930510001
					DOC TYPE
					PSD
					DOC PART
					000
					SHEET NUMBER
					1 OF 9



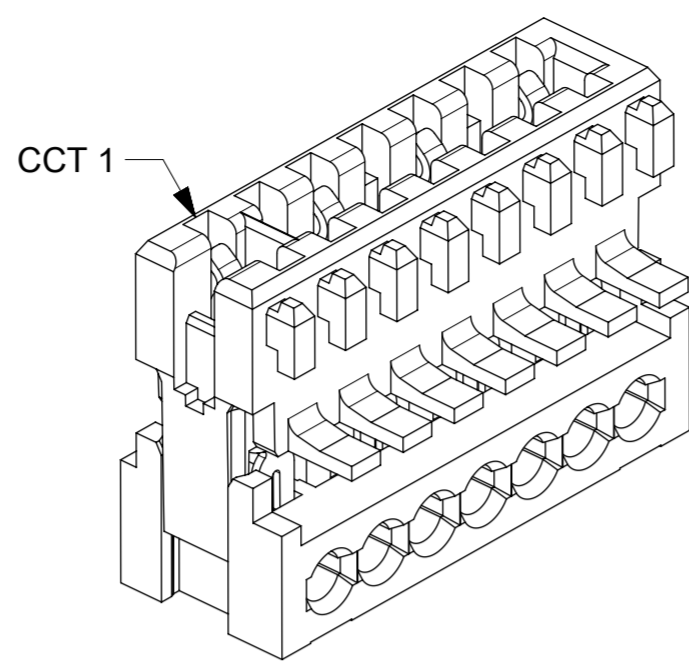
CCT 1
OPTIONAL
POLARISING
RIB

OPEN END WALL OPTION

FIRST END WALL	LAST END WALL
OPEN	OPEN



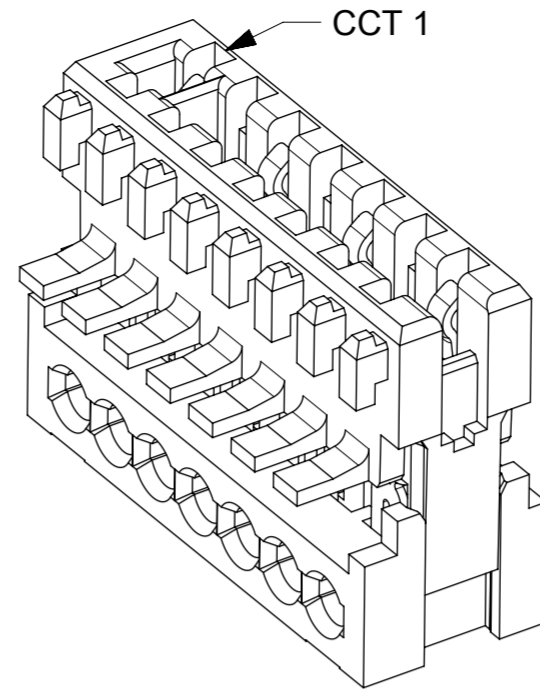
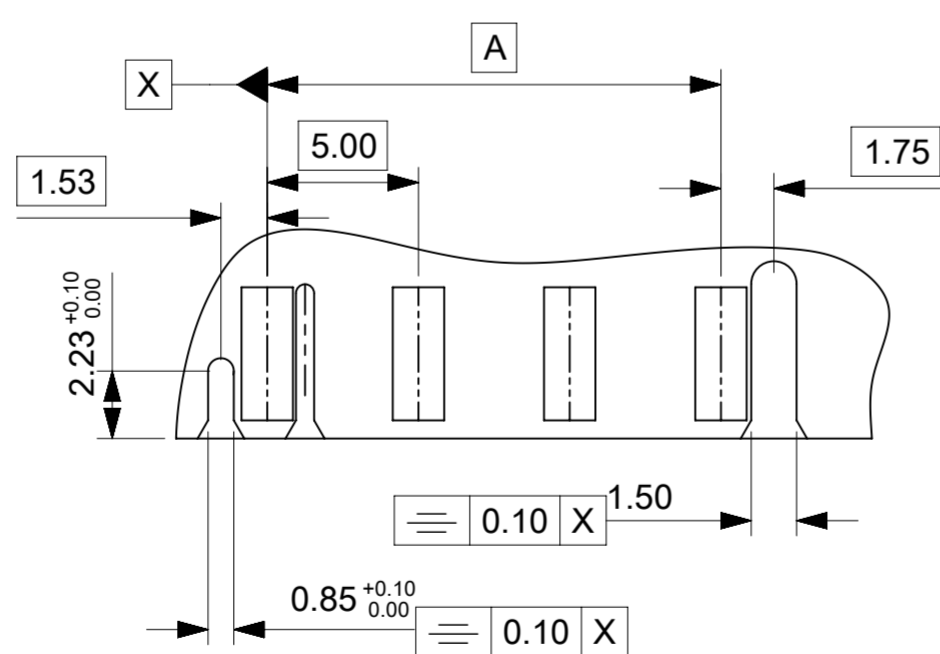
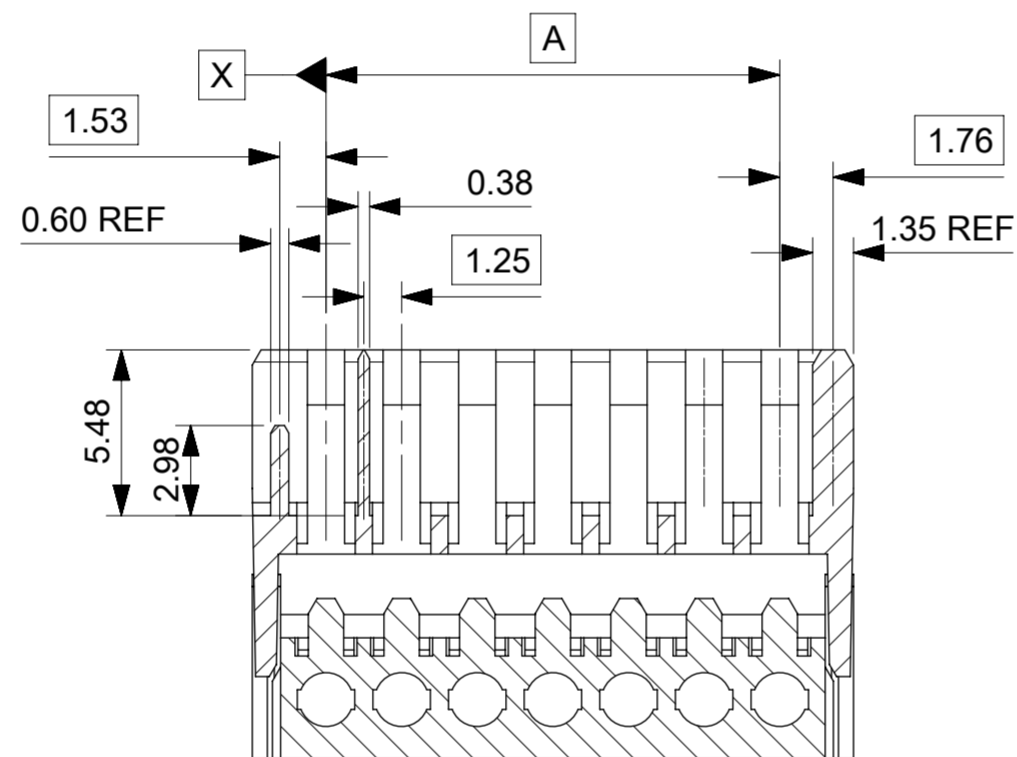
- PCB LAYOUT CCTCONNECTOR
(WITH OPTIONAL POSITIONAL RIB SLOT BETWEEN
CCT 1 & 2)
- RECOMMENDED PCB THICKNESS 1.5 ± 0.14



CCT 1

END WALL OPTION A

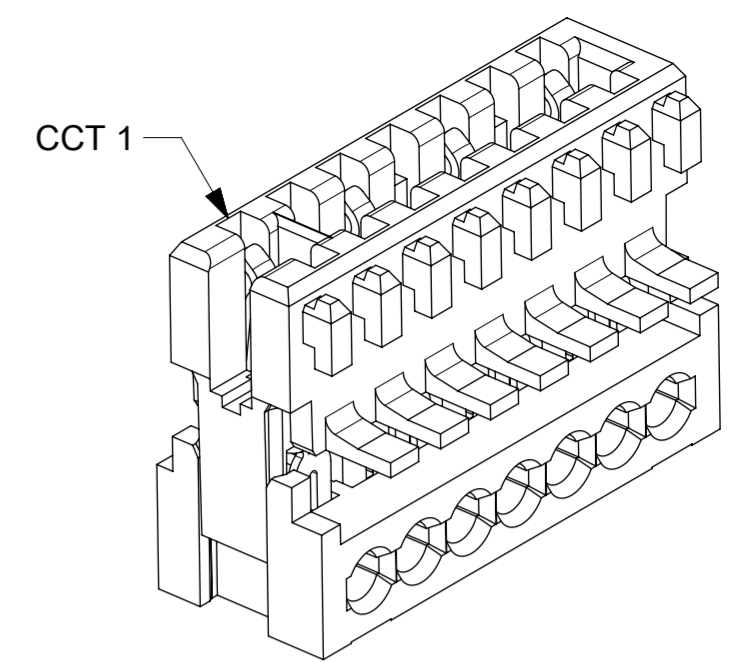
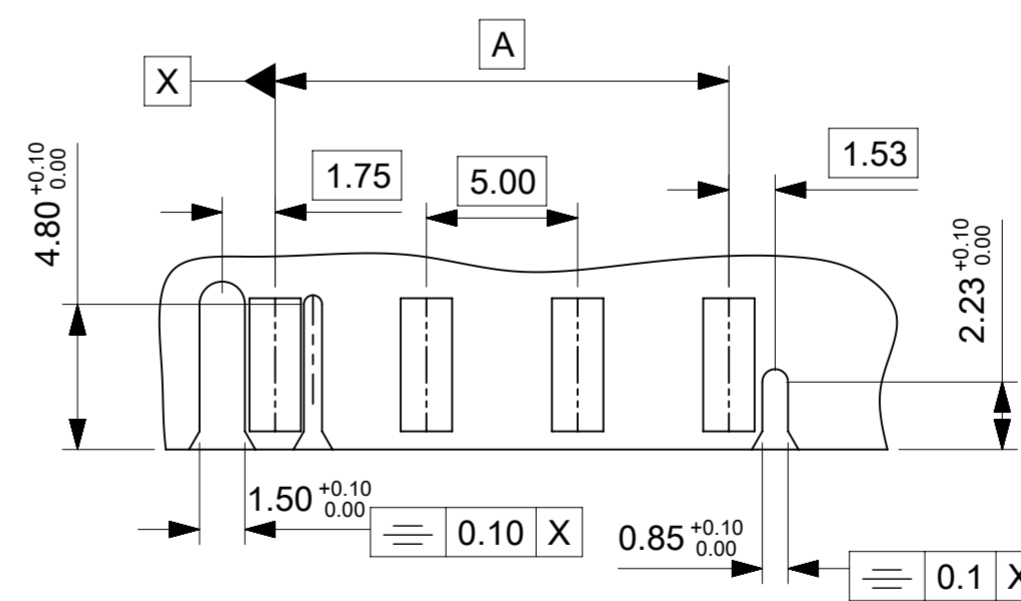
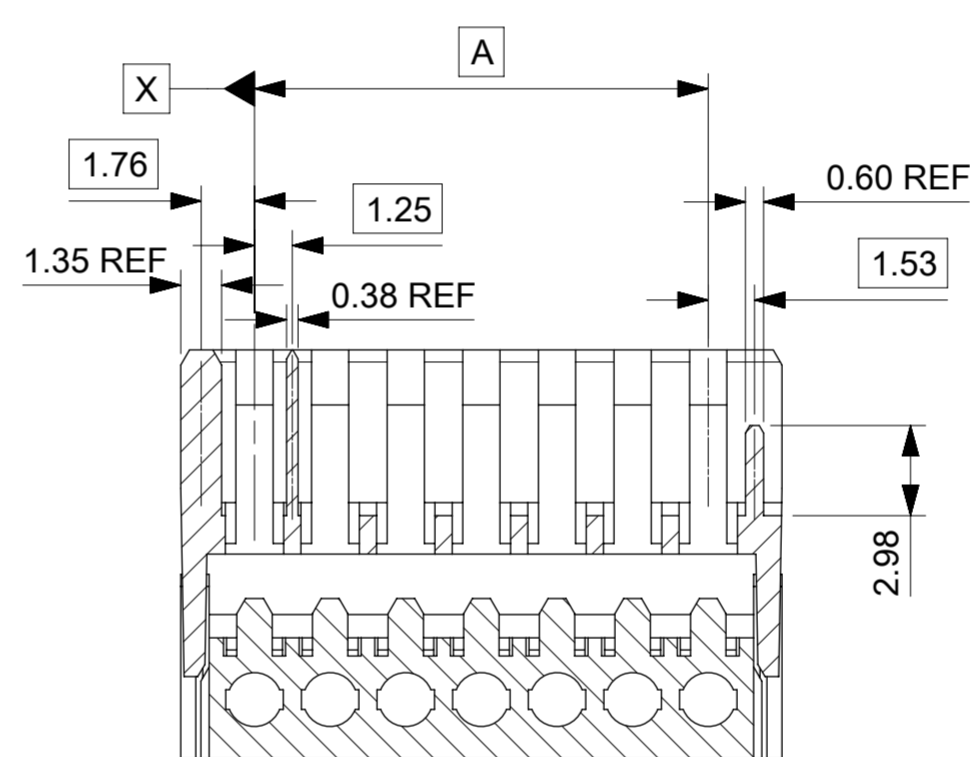
FIRST END WALL	LAST END WALL
HALF	CLOSED



CCT 1

END WALL OPTION B

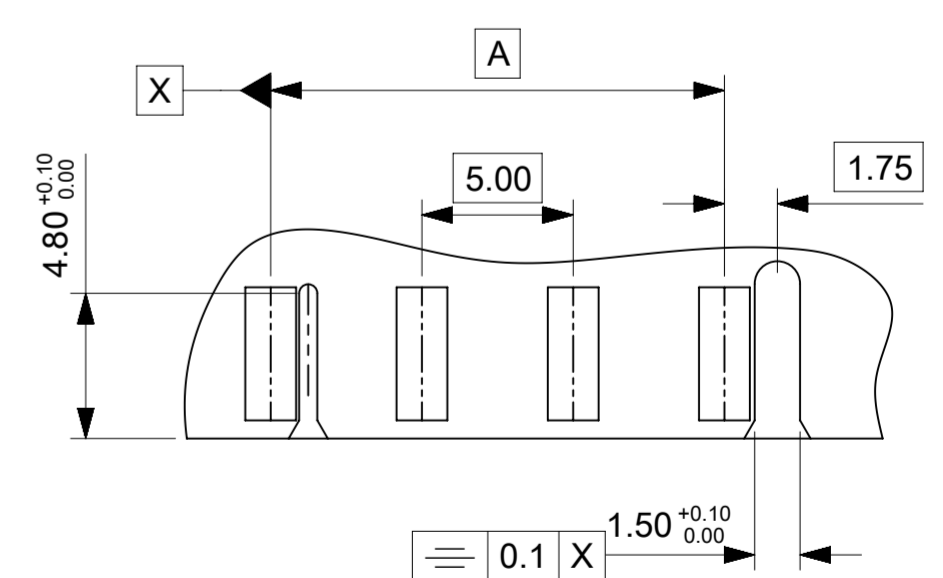
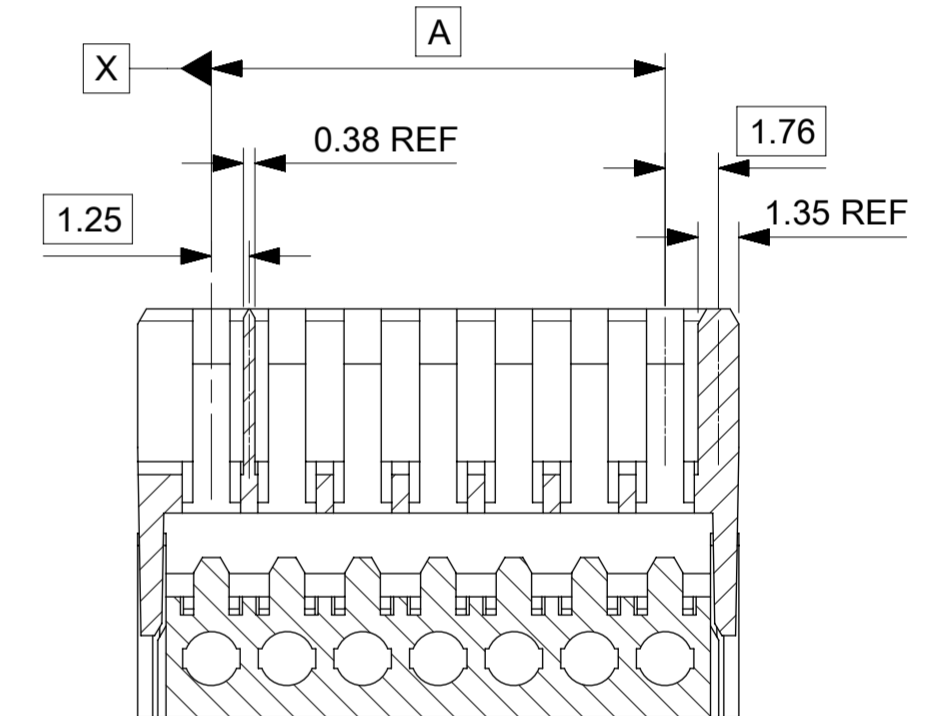
FIRST END WALL	LAST END WALL
CLOSED	HALF



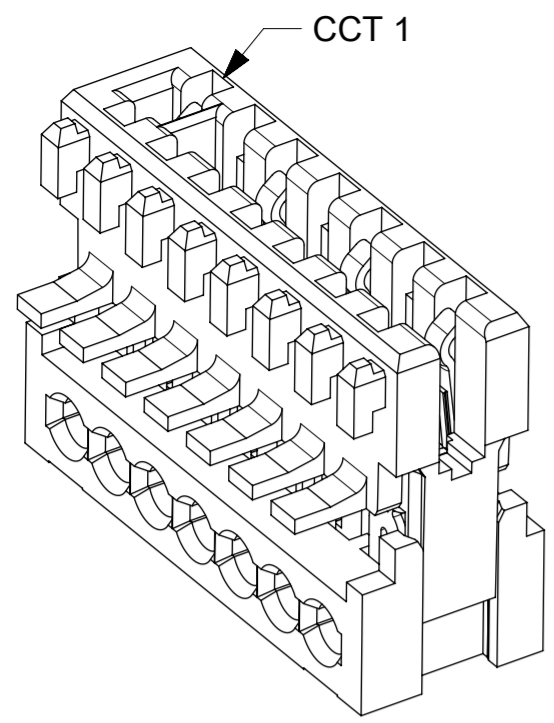
CCT 1

END WALL OPTION C

FIRST END WALL	LAST END WALL
OPEN	CLOSED

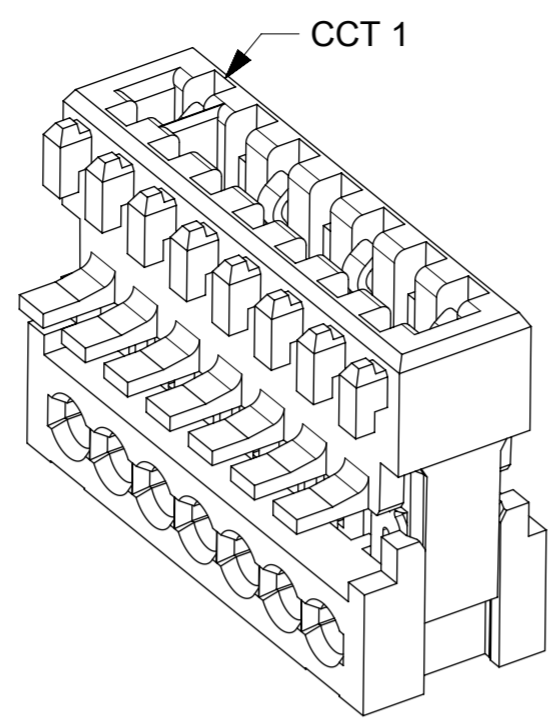
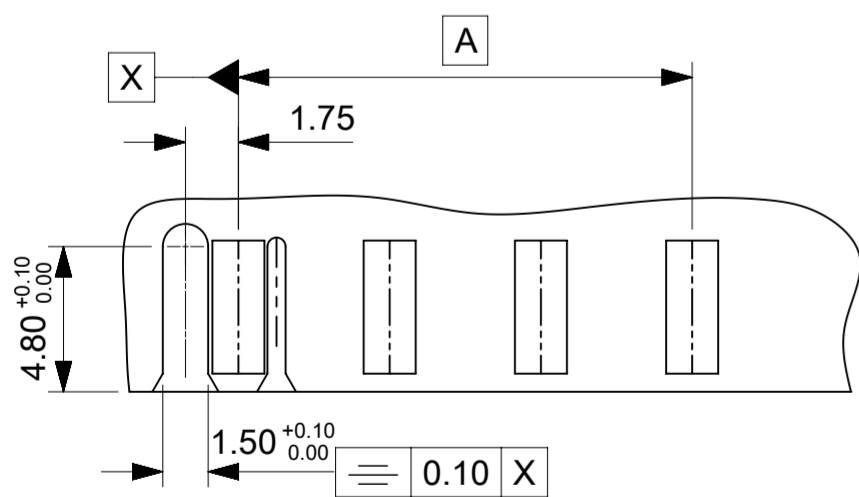
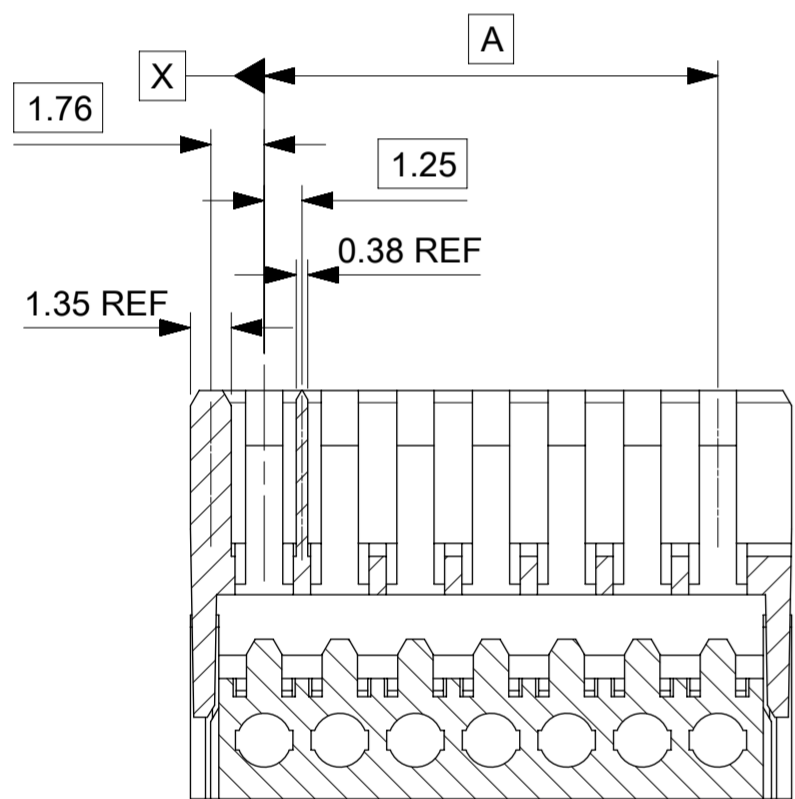


QUALITY SYMBOLS	THIS DRAWING CONTAINS INFORMATION THAT IS PROPRIETARY TO MOLEX ELECTRONIC TECHNOLOGIES, LLC AND SHOULD NOT BE USED WITHOUT WRITTEN PERMISSION		DIMENSION UNITS	SCALE	
▽ = 0 ▽ = 0 ▽ = 0 ▽ = 0 ▽ = 0 ▽ = 0 ▽ = 0 ▽ = 0 ▽ = 0	EC NO: 106394 DRWN: AKABADI CHKD: CMONAHAN REV: APPR: BRUTTLE	2016/06/28 2016/08/21 2016/08/22	MM	4:1	
GENERAL TOLERANCES (UNLESS SPECIFIED) ANGULAR TOL ± 0.5 °			DRWN BY	DATE	PRODUCT CUSTOMER DRAWING
4 PLACES ± 3 PLACES ± 0.05 2 PLACES ± 0.1 1 PLACE ± 0.2 0 PLACES ±			CFISHER01	2016/01/19	
DRAFT WHERE APPLICABLE MUST REMAIN WITHIN DIMENSIONS			CHK'D BY	DATE	MATERIAL NUMBER
			CMONAHAN	2016/02/02	93051
			APPR BY	DATE	CUSTOMER
			MSHANAHAN	2016/02/09	SEE TABLES SHT 5-9
			DRAWING SIZE	THIRD ANGLE PROJECTION	DOCUMENT NUMBER
			A2		930510001
					DOC TYPE
					PSD
					DOC PART
					000
					SHEET NUMBER
					2 OF 9



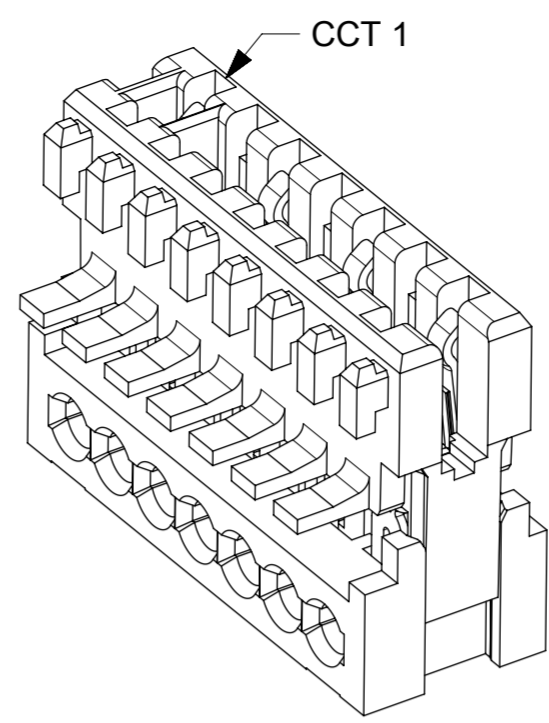
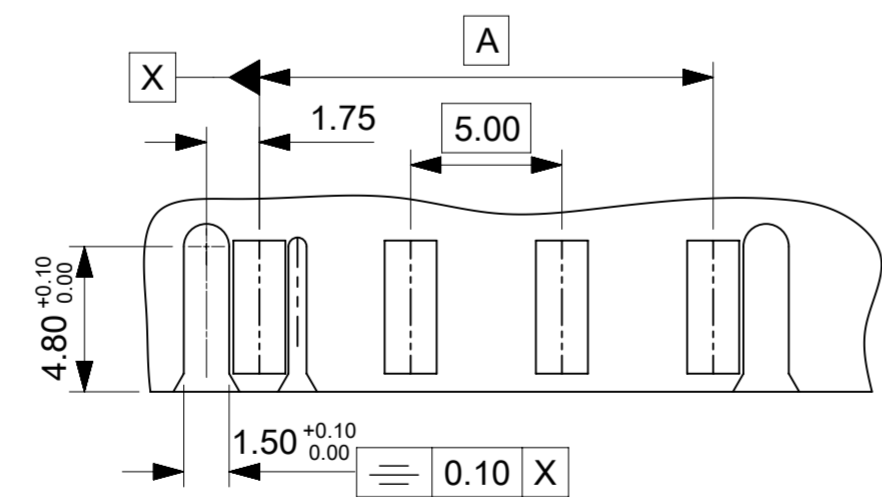
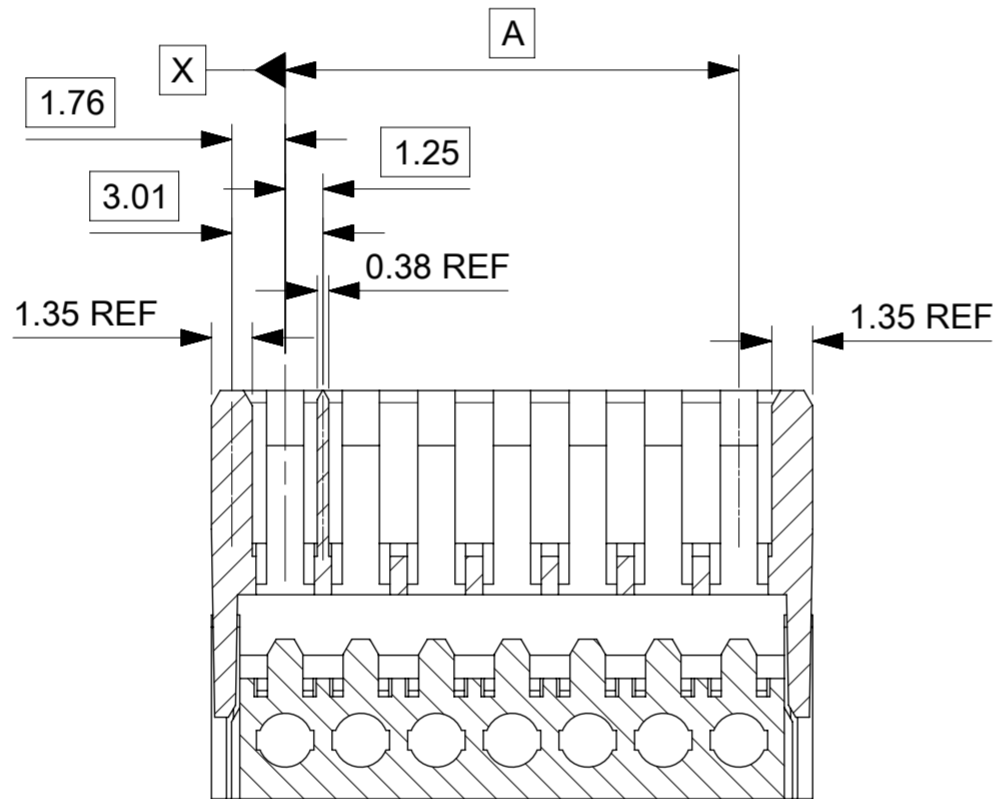
END WALL OPTION D

FIRST END WALL	LAST END WALL
CLOSED	OPEN



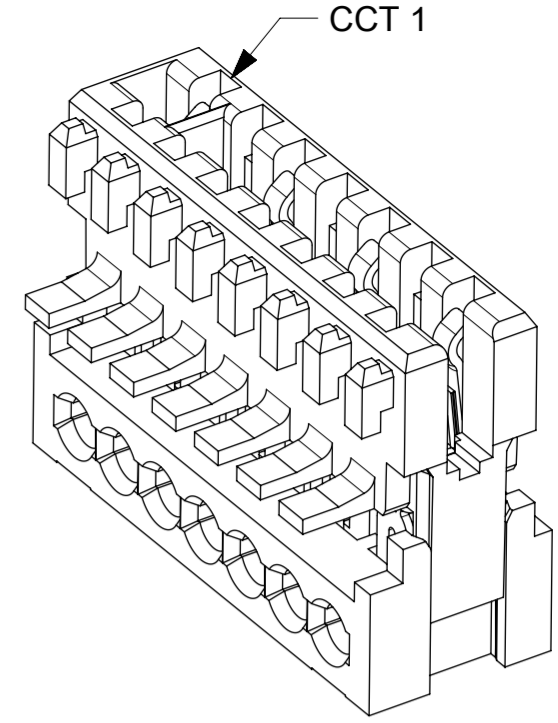
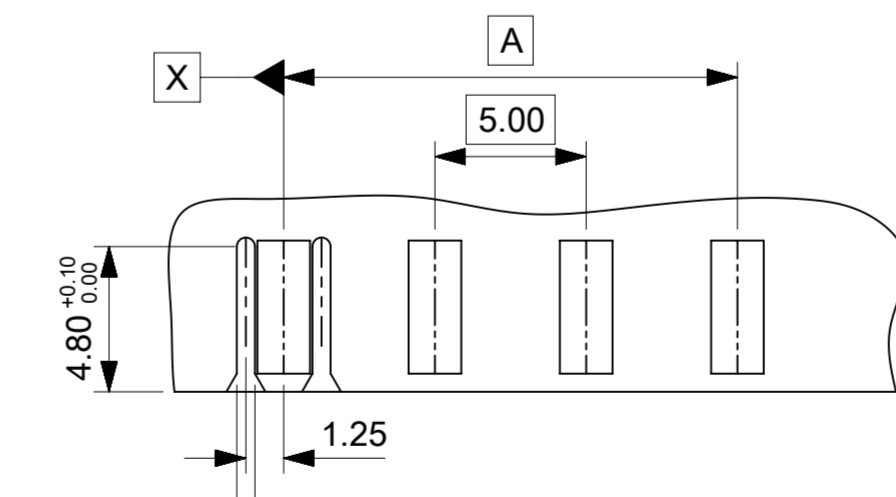
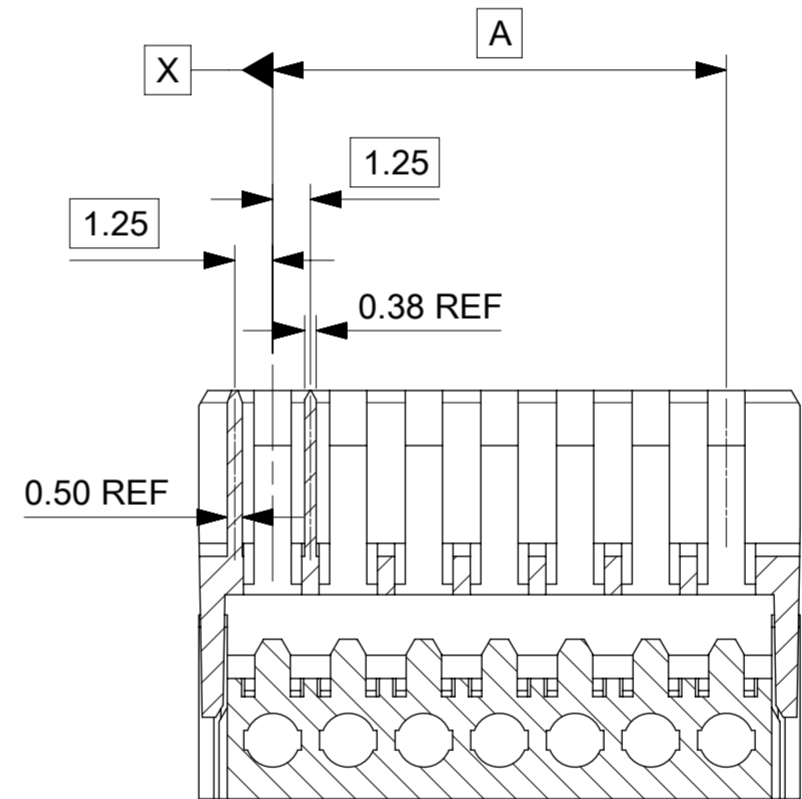
END WALL OPTION E

FIRST END WALL	LAST END WALL
CLOSED	CLOSED



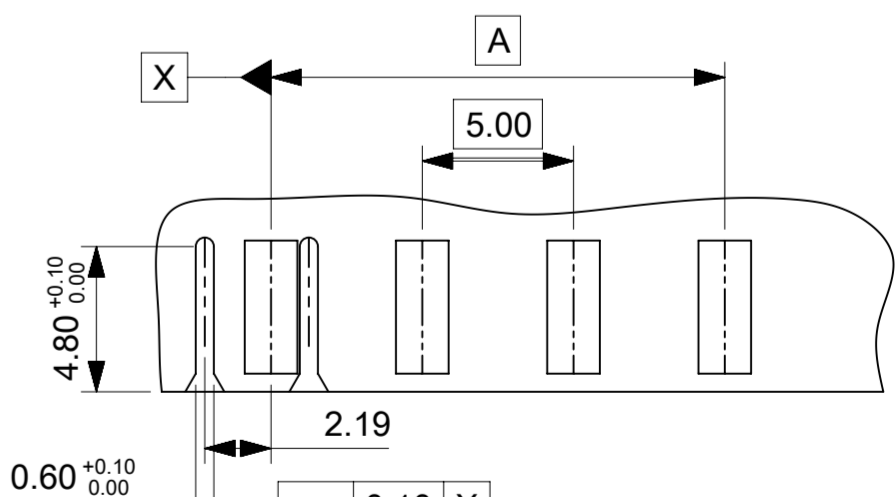
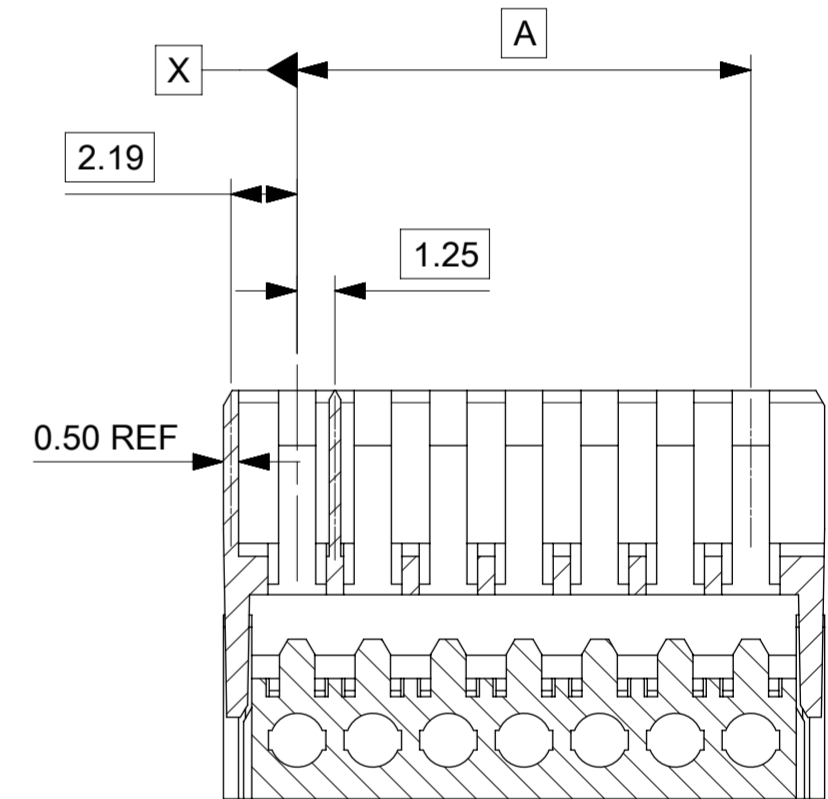
END WALL OPTION F

FIRST END WALL	LAST END WALL
NARROW	OPEN

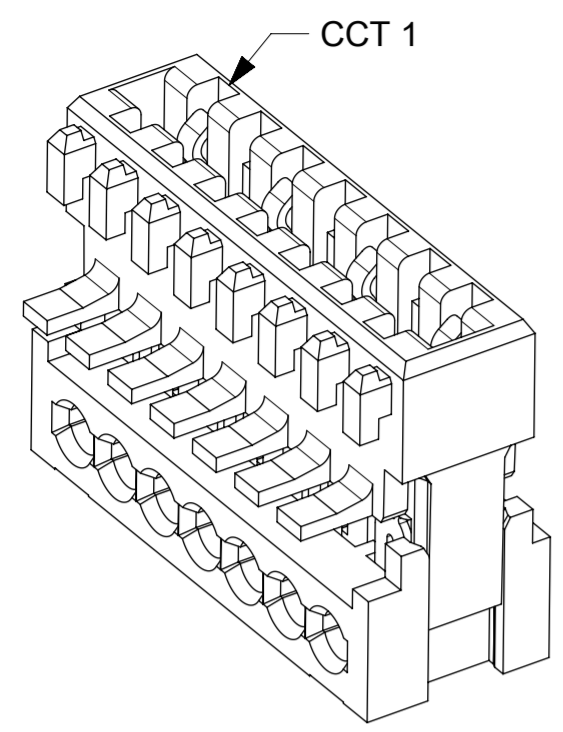


END WALL OPTION G

FIRST END WALL	LAST END WALL
NARROW FLUSH	OPEN

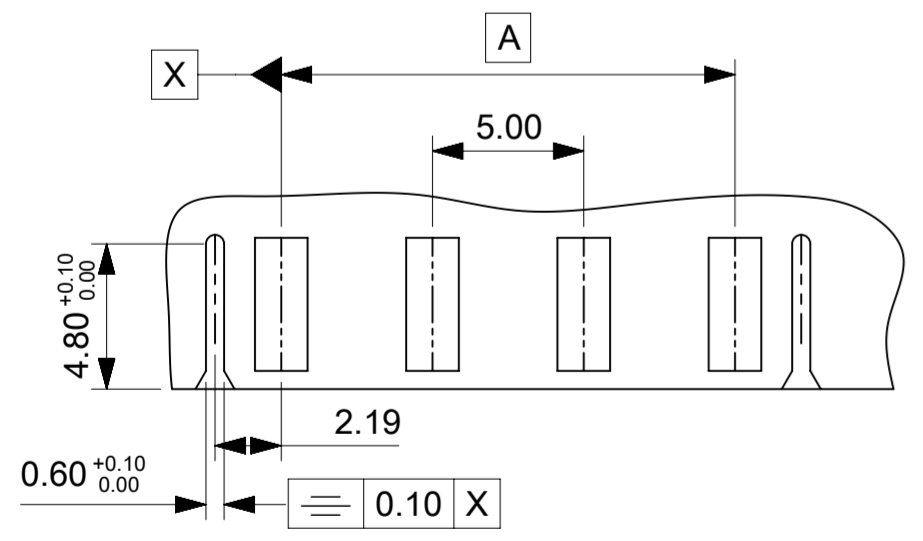
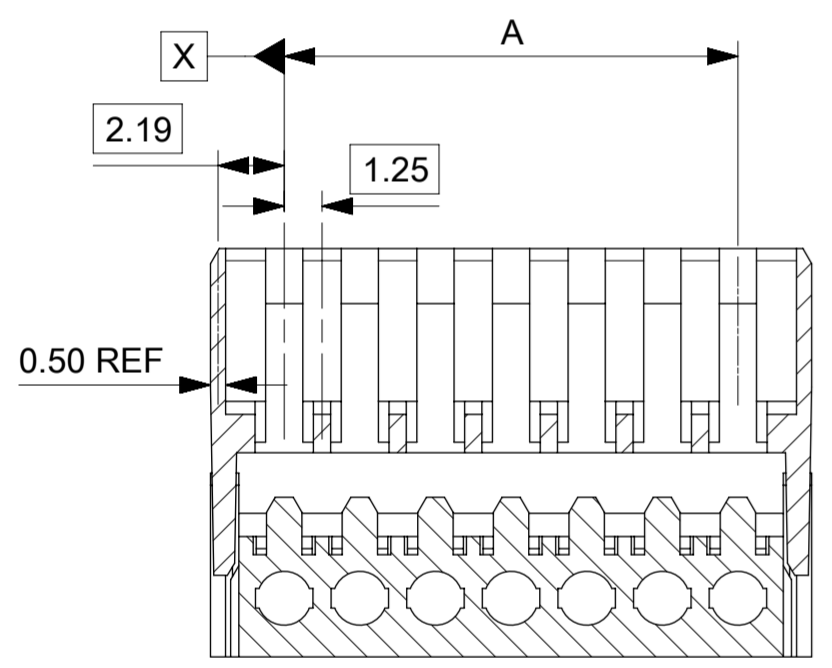


QUALITY SYMBOLS ▽ = 0 ▽ = 0 ▽ = 0 ▽ = 0 ▽ = 0 ▽ = 0 ▽ = 0 ▽ = 0 ▽ = 0	THIS DRAWING CONTAINS INFORMATION THAT IS PROPRIETARY TO MOLEX ELECTRONIC TECHNOLOGIES, LLC AND SHOULD NOT BE USED WITHOUT WRITTEN PERMISSION EC NO: 106394 DRWN: AKABADI CHKD: CMONAHAN APPR: BRUTTLE	GENERAL TOLERANCES (UNLESS SPECIFIED) ANGULAR TOL ± 0.5°	DIMENSION UNITS: MM SCALE: 4:1			
		4 PLACES ± 3 PLACES ± 0.05 2 PLACES ± 0.1 1 PLACE ± 0.2 0 PLACES ±	DRWN BY: CFISHER01 DATE: 2016/01/19		APPLI-MATE 2.5 FEMALE G.W.T. 750 VERSION 5MM PITCH	
		DRAFT WHERE APPLICABLE MUST REMAIN WITHIN DIMENSIONS	CHK'D BY: CMONAHAN DATE: 2016/02/02			PRODUCT CUSTOMER DRAWING
		DRAWING SIZE: A2 THIRD ANGLE PROJECTION	APPR BY: MSHANAHAN DATE: 2016/02/09			SERIES: 93051 MATERIAL NUMBER: SEE TABLES SHT 5-9 CUSTOMER:
NX - RELEASE B	DOCUMENT NUMBER: 930510001 DOC TYPE: PSD DOC PART: 000 SHEET NUMBER: 3 OF 9					



END WALL OPTION H

FIRST END WALL	LAST END WALL
NARROW FLUSH	NARROW FLUSH



QUALITY SYMBOLS	THIS DRAWING CONTAINS INFORMATION THAT IS PROPRIETARY TO MOLEX ELECTRONIC TECHNOLOGIES, LLC AND SHOULD NOT BE USED WITHOUT WRITTEN PERMISSION																						
▽ = 0	NX - RELEASE EC NO: 106394 DRWN: AKABADI CHKD: CMONAHAN REV: APPR: BRUTTLE	GENERAL TOLERANCES (UNLESS SPECIFIED)	DIMENSION UNITS	SCALE																			
▽ = 0		MM	4:1																				
▽ = 0		ANGULAR TOL ± 0.5 °	DRWN BY	DATE																			
▽ = 0		4 PLACES ±	CFISHER01	2016/01/19																			
▽ = 0		3 PLACES ± 0.05	CHK'D BY	DATE																			
▽ = 0		2 PLACES ± 0.1	CMONAHAN	2016/02/02																			
▽ = 0	1 PLACE ± 0.2	APPR BY	DATE																				
▽ = 0	0 PLACES ±	MSHANAHAN	2016/02/09																				
□ = 0	DRAFT WHERE APPLICABLE MUST REMAIN WITHIN DIMENSIONS	DRAWING SIZE	THIRD ANGLE PROJECTION																				
■ = 0		A2																					
▽ = 0																							
RELEASE STATUS P1 RELEASE DATE 22.08.2016 14:21:22		<table border="1"> <tr> <td colspan="2"> molex APPLI-MATE 2.5 FEMALE G.W.T. 750 VERSION 5MM PITCH </td> <td colspan="2"> PRODUCT CUSTOMER DRAWING </td> </tr> <tr> <td>SERIES</td> <td>MATERIAL NUMBER</td> <td colspan="2">CUSTOMER</td> </tr> <tr> <td>93051</td> <td>SEE TABLES SHT 5-9</td> <td colspan="2"></td> </tr> <tr> <td>DOCUMENT NUMBER</td> <td>DOC TYPE</td> <td>DOC PART</td> <td>SHEET NUMBER</td> </tr> <tr> <td>930510001</td> <td>PSD</td> <td>000</td> <td>4 OF 9</td> </tr> </table>		molex APPLI-MATE 2.5 FEMALE G.W.T. 750 VERSION 5MM PITCH		PRODUCT CUSTOMER DRAWING		SERIES	MATERIAL NUMBER	CUSTOMER		93051	SEE TABLES SHT 5-9			DOCUMENT NUMBER	DOC TYPE	DOC PART	SHEET NUMBER	930510001	PSD	000	4 OF 9
molex APPLI-MATE 2.5 FEMALE G.W.T. 750 VERSION 5MM PITCH		PRODUCT CUSTOMER DRAWING																					
SERIES	MATERIAL NUMBER	CUSTOMER																					
93051	SEE TABLES SHT 5-9																						
DOCUMENT NUMBER	DOC TYPE	DOC PART	SHEET NUMBER																				
930510001	PSD	000	4 OF 9																				

2 CIRCUIT							
PART NUMBER	HOUSING USED	REMOVED POSITION KEYS	CONFIGURATION	FIRST ENDWALL	LAST ENDWALL	POLARIZING RIB BETWEEN	COLOUR STRIPE
93051-0001	93049-0003	NONE		OPEN	OPEN	NONE	RED
93051-0002	93049-0003	NONE		OPEN	OPEN	NONE	NONE
93051-0003	93049-0003	a		OPEN	OPEN	NONE	NONE
93051-0004	93049-0003	b		OPEN	OPEN	NONE	BLUE
93051-0005	93049-0003	c		OPEN	OPEN	NONE	NONE
93051-0006	93049-0003	c		OPEN	OPEN	NONE	BLACK
93051-0007	93049-0003	b d		OPEN	OPEN	NONE	BLUE
93051-0008	93049-0003	b c		OPEN	OPEN	NONE	BLUE
93051-0012	93049-0003	a b		OPEN	OPEN	NONE	NONE
93051-0013	93049-0003	b d		OPEN	OPEN	NONE	NONE
93051-0014	93049-0003	b		OPEN	OPEN	NONE	NONE
93051-0015	93049-0003	b c		OPEN	OPEN	NONE	NONE
93051-0017	93049-0003	a d		OPEN	OPEN	NONE	NONE
93051-0018	93049-0003	a c		OPEN	OPEN	NONE	NONE
93051-0019	93049-0103	a d		OPEN	OPEN	BETWEEN CCT 1&2	NONE
93051-0020	93049-0003	d		OPEN	OPEN	NONE	BLUE
93051-0021	93049-0003	c d		OPEN	OPEN	NONE	RED
93051-0024	93049-0003	a d		OPEN	OPEN	NONE	BLUE
93051-0025	93049-0003	a b		OPEN	OPEN	NONE	BLUE
93051-0026	93049-0043	c		OPEN	CLOSED	NONE	NONE
93051-0027	93049-0003	a c d		OPEN	OPEN	NONE	NONE
93051-0028	93049-0003	d		OPEN	OPEN	NONE	NONE
93051-0029	93049-0003	ALL		OPEN	OPEN	NONE	NONE
93051-0030	93049-0003	c d		OPEN	OPEN	NONE	NONE
93051-0031	93049-0003	ALL		OPEN	OPEN	NONE	BLACK
93051-0032	93049-0003	a b c		OPEN	OPEN	NONE	BLUE
93051-0033	93049-0043	a c		OPEN	CLOSED	NONE	NONE
93051-0034	93049-0003	a c d		OPEN	OPEN	NONE	VIOLET
93051-0035	93049-0003	c		OPEN	OPEN	NONE	BLUE
93051-0036	93049-0003	a		OPEN	OPEN	NONE	BLACK

2 CIRCUIT							
PART NUMBER	HOUSING USED	REMOVED POSITION KEYS	CONFIGURATION	FIRST ENDWALL	LAST ENDWALL	POLARIZING RIB BETWEEN	COLOUR STRIPE
93051-0037	93049-0003	d		OPEN	OPEN	NONE	YELLOW
93051-0038	93049-0003	b d		OPEN	OPEN	NONE	BROWN
93051-0039	93049-0003	b		OPEN	OPEN	NONE	GREEN
93051-0040	93049-0003	c d		OPEN	OPEN	NONE	BLUE
93051-0041	93049-0003	a b d		OPEN	OPEN	NONE	NONE
93051-0042	93049-0003	a c		OPEN	OPEN	NONE	GREEN
93051-0044	93049-0003	b d		OPEN	OPEN	NONE	RED
93051-0045	93049-0003	NONE		OPEN	OPEN	NONE	BLUE
93051-0046	93049-0003	b c d		OPEN	OPEN	NONE	NONE
93051-0047	93049-0163	NONE		CLOSED	OPEN	BETWEEN CCT 1&2	NONE
93051-0048	93049-0223	NONE		CLOSED	CLOSED	BETWEEN CCT 2&3	NONE
93051-0049	93049-0003	ALL		OPEN	OPEN	NONE	BLUE
93051-0050	93049-0203	NONE		OPEN	OPEN	BETWEEN CCT 2&3	NONE
93051-0051	93049-0103	b		OPEN	OPEN	BETWEEN CCT 1&2	NONE
93051-0052	93049-0103	a		OPEN	OPEN	BETWEEN CCT 1&2	NONE
93051-0053	93049-0003	NONE		OPEN	OPEN	NONE	GREEN
93051-0054	93049-0003	NONE		OPEN	OPEN	NONE	BROWN
93051-0055	93049-0003	d		OPEN	OPEN	NONE	BLACK
93051-0056	93049-0003	a c		OPEN	OPEN	NONE	RED
93051-0057	93049-0003	NONE		OPEN	OPEN	NONE	ORANGE
93051-0058	93049-0203	a		OPEN	OPEN	BETWEEN CCT 2&3	RED
93051-0059	93049-0003	NONE		OPEN	OPEN	NONE	BLACK

2CCT CONTINUED ON NEXT SHEET

NOTES

- + DENOTES TERMINAL VOIDED POSITION
⊕ DENOTES TERMINAL LOADED POSITION
| DENOTES POLARIZING RIB POSITION
- MOLEX HOUSING NO. FOR REFERENCE ONLY

QUALITY SYMBOLS	THIS DRAWING CONTAINS INFORMATION THAT IS PROPRIETARY TO MOLEX ELECTRONIC TECHNOLOGIES, LLC AND SHOULD NOT BE USED WITHOUT WRITTEN PERMISSION	
▽ = 0	NX - RELEASE EC NO: 106394 DRWN: AKABADI CHKD: CMONAHAN APPR: BRUTTLE REV B	GENERAL TOLERANCES (UNLESS SPECIFIED) DIMENSION UNITS: MM SCALE: 4:1 DRWN BY: CFISHER01 DATE: 2016/01/19 CHKD BY: CMONAHAN DATE: 2016/02/02 APPR BY: MSHANAHAN DATE: 2016/02/09 DRAWING SIZE: A2 THIRD ANGLE PROJECTION
▽ = 0		ANGULAR TOL ± 0.5 ° 4 PLACES ± 3 PLACES ± 0.05 2 PLACES ± 0.1 1 PLACE ± 0.2 0 PLACES ±
▽ = 0		DRAFT WHERE APPLICABLE MUST REMAIN WITHIN DIMENSIONS
▽ = 0		PRODUCT CUSTOMER DRAWING SERIES: 93051 MATERIAL NUMBER: SEE TABLES SHT 5-9 CUSTOMER:
▽ = 0		APPLI-MATE 2.5 FEMALE G.W.T. 750 VERSION 5MM PITCH
▽ = 0		DOCUMENT NUMBER: 930510001 DOC TYPE: PSD DOC PART: 000 SHEET NUMBER: 5 OF 9
▽ = 0		RELEASE STATUS: P1 RELEASE DATE: 22.08.2016 14:21:22

molex

APPLI-MATE 2.5 FEMALE
G.W.T. 750 VERSION 5MM PITCH

PRODUCT CUSTOMER DRAWING

SERIES: 93051
MATERIAL NUMBER: SEE TABLES SHT 5-9
CUSTOMER:

DOCUMENT NUMBER: 930510001
DOC TYPE: PSD
DOC PART: 000
SHEET NUMBER: 5 OF 9

3 CIRCUIT

PART NUMBER	HOUSING USED	REMOVED POSITION KEYS	CONFIGURATION	FIRST ENDWALL	LAST ENDWALL	POLARIZING RIB BETWEEN	COLOUR STRIPE
93051-1027	93049-0005	a c d		OPEN	OPEN	NONE	RED
93051-1028	93049-0005	NONE		OPEN	OPEN	NONE	PURPLE
93051-1029	93049-0425	NONE		CLOSED	CLOSED	BETWEEN CCT 4&5	NONE
93051-1030	93049-0005	a b c		OPEN	OPEN	NONE	NONE
93051-1031	93049-0005	a		OPEN	OPEN	NONE	NONE
93051-1032	93049-0005	c		OPEN	OPEN	NONE	NONE
93051-1033	93049-0005	d		OPEN	OPEN	NONE	NONE
93051-1034	93049-0005	b c		OPEN	OPEN	NONE	NONE
93051-1035	93049-0005	b		OPEN	OPEN	NONE	NONE

4CCT CONTINUED ON NEXT SHEET

NOTES

- + DENOTES TERMINAL VOIDED POSITION
⊕ DENOTES TERMINAL LOADED POSITION
| DENOTES POLARIZING RIB POSITION
- MOLEX HOUSING NO. FOR REFERENCE ONLY

QUALITY SYMBOLS	THIS DRAWING CONTAINS INFORMATION THAT IS PROPRIETARY TO MOLEX ELECTRONIC TECHNOLOGIES, LLC AND SHOULD NOT BE USED WITHOUT WRITTEN PERMISSION									
	NX - RELEASE EC NO: 106394 DRWN: AKABADI CHKD: CMONAHAN REV: APPR: BRUTTLE	GENERAL TOLERANCES (UNLESS SPECIFIED)		DIMENSION UNITS	SCALE					
ANGULAR TOL ± 0.5 °		MM	4:1							
▽ = 0	2016/06/28 2016/08/21 2016/08/22	4 PLACES ±		DRWN BY	DATE	APPLI-MATE 2.5 FEMALE G.W.T. 750 VERSION 5MM PITCH				
▽ = 0		3 PLACES ± 0.05		CFISHER01	2016/01/19					
▽ = 0		2 PLACES ± 0.1		CHK'D BY	DATE	PRODUCT CUSTOMER DRAWING				
▼ = 0		1 PLACE ± 0.2		CMONAHAN	2016/02/02					
▽ = 0		0 PLACES ±		APPR BY	DATE	SERIES: 93051 MATERIAL NUMBER: SEE TABLES SHT 5-9 CUSTOMER:				
⊕ = 0	DRAFT WHERE APPLICABLE MUST REMAIN WITHIN DIMENSIONS		MSHANAHAN	2016/02/09						
⊗ = 0	DRAWING SIZE		THIRD ANGLE PROJECTION	DOCUMENT NUMBER		DOC TYPE		DOC PART	SHEET NUMBER	
▽ = 0	A2			930510001		PSD		000	7 OF 9	

6 CIRCUIT							
PART NUMBER	HOUSING USED	REMOVED POSITION KEYS	CONFIGURATION	FIRST ENDWALL	LAST ENDWALL	POLARIZING RIB BETWEEN	COLOUR STRIPE
93051-4001	93049-0011	NONE		OPEN	OPEN	NONE	NONE
93051-4002	93049-0011	defghi		OPEN	OPEN	NONE	NONE
93051-4003	93049-0011	cdehij		OPEN	OPEN	NONE	NONE
93051-4004	93049-0011	abefghkl		OPEN	OPEN	NONE	NONE
93051-4005	93049-0011	abefhik		OPEN	OPEN	NONE	NONE
93051-4006	93049-0011	bcfgjk		OPEN	OPEN	NONE	NONE
93051-4007	93049-0011	defghil		OPEN	OPEN	NONE	NONE
93051-4008	93049-0011	NONE		OPEN	OPEN	NONE	BLUE
93051-4009	93049-0011	abcdefijkl		OPEN	OPEN	NONE	NONE
93051-4010	93049-0011	NONE		OPEN	OPEN	NONE	GREEN
93051-4011	93049-0011	cdfhij		OPEN	OPEN	NONE	NONE
93051-4012	93049-0011	abcdgijkl		OPEN	OPEN	NONE	NONE
93051-4013	93049-0011	NONE		OPEN	OPEN	NONE	BLACK
93051-4014	93049-0011	bdefhj		OPEN	OPEN	NONE	BLACK
93051-4015	93049-0011	cdefghl		OPEN	OPEN	NONE	NONE
93051-4016	93049-0011	cdefhjk		OPEN	OPEN	NONE	NONE

7 CIRCUIT							
PART NUMBER	HOUSING USED	REMOVED POSITION KEYS	CONFIGURATION	FIRST ENDWALL	LAST ENDWALL	POLARIZING RIB BETWEEN	COLOUR STRIPE
93051-5001	93049-0013	NONE		OPEN	OPEN	NONE	NONE
93051-5002	93049-0013	cdghijk		OPEN	OPEN	NONE	NONE
93051-5003	93049-0013	acdfg		OPEN	OPEN	NONE	NONE
93051-5004	93049-0033	NONE		CLOSED	CLOSED	NONE	NONE
93051-5005	93049-0013	NONE		OPEN	OPEN	NONE	ORANGE

8 CIRCUIT							
PART NUMBER	HOUSING USED	REMOVED POSITION KEYS	CONFIGURATION	FIRST ENDWALL	LAST ENDWALL	POLARIZING RIB BETWEEN	COLOUR STRIPE
93051-5501	93049-0015	NONE		OPEN	OPEN	NONE	NONE

9 CIRCUIT							
PART NUMBER	HOUSING USED	REMOVED POSITION KEYS	CONFIGURATION	FIRST ENDWALL	LAST ENDWALL	POLARIZING RIB BETWEEN	COLOUR STRIPE
93051-6001	93049-0017	NONE		OPEN	OPEN	NONE	NONE
93051-6002	93049-0017	bcddefgij		OPEN	OPEN	NONE	NONE

10 CIRCUIT							
PART NUMBER	HOUSING USED	REMOVED POSITION KEYS	CONFIGURATION	FIRST ENDWALL	LAST ENDWALL	POLARIZING RIB BETWEEN	COLOUR STRIPE
93051-6501	93049-0019	NONE		OPEN	OPEN	NONE	NONE

- NOTES
- + DENOTES TERMINAL VOIDED POSITION
 - ⊕ DENOTES TERMINAL LOADED POSITION
 - | DENOTES POLARIZING RIB POSITION
2. MOLEX HOUSING NO. FOR REFERENCE ONLY

QUALITY SYMBOLS	THIS DRAWING CONTAINS INFORMATION THAT IS PROPRIETARY TO MOLEX ELECTRONIC TECHNOLOGIES, LLC AND SHOULD NOT BE USED WITHOUT WRITTEN PERMISSION		GENERAL TOLERANCES (UNLESS SPECIFIED)		DIMENSION UNITS	SCALE	molex		
▽ = 0	2016/06/28 2016/08/21 2016/08/22		ANGULAR TOL ± 0.5 °		MM	4:1			
▽ = 0	NX - RELEASE EC NO: 106394 DRWN: AKABADI CHKD: CMONAHAN REV: APPR: BRUTTLE	4 PLACES ±		CFISHER01	2016/01/19		APPLI-MATE 2.5 FEMALE G.W.T. 750 VERSION 5MM PITCH		
▽ = 0		3 PLACES ± 0.05		CHK'D BY	DATE				
▽ = 0		2 PLACES ± 0.1		CMONAHAN	2016/02/02				
▽ = 0		1 PLACE ± 0.2		APPR BY	DATE		PRODUCT CUSTOMER DRAWING		
▽ = 0		0 PLACES ±		MSHANAHAN	2016/02/09		SERIES	MATERIAL NUMBER	CUSTOMER
☒ = 0	DRAFT WHERE APPLICABLE MUST REMAIN WITHIN DIMENSIONS		DRAWING SIZE		THIRD ANGLE PROJECTION		93051	SEE TABLES SHT 5-9	
▽ = 0	B	A2		DOCUMENT NUMBER		930510001	DOC TYPE	DOC PART	SHEET NUMBER
							000		9 OF 9