



Ledinaire Slim Downlight DN065B G2 & DN065C

DN065B G2 LED10/840 11W 220V D150 RD EU

840 neutral white - Power supply unit - White

The LEDINAIRE range contains a selection of popular off-the-shelf LED luminaires that come with the high Philips quality levels at a competitive price. Reliable, energy-efficient and affordable – just what you need

Product data

General Information		Service tag	
Light source color	840 neutral white	Service tag	Yes
Light source replaceable	No	Operating and Electrical	
Driver/power unit/transformer	Power supply unit	Input Voltage	220 to 240 V
Driver included	Yes	Input Frequency	50 or 60 Hz
Optic type	Beam angle 110°	Inrush current	4.03 A
Connection	Connection unit 2-pole	Inrush time	0.272 ms
Cable	Cable 0.2 m with cable connector	Power Factor (Min)	0.75
Protection class IEC	Safety class II	Controls and Dimming	
Glow-wire test	Temperature 650 °C, duration 30 s	Dimmable	No
Flammability mark	For mounting on normally flammable surfaces	Mechanical and Housing	
Warranty period	3 years	Housing Material	Metal-Plastic
Constant light output	No	Optic material	Polycarbonate
Number of products on MCB of 16 A type B	48	Optical cover/lens material	Polycarbonate
EU RoHS compliant	Yes		

Ledinaire Slim Downlight DN065B G2 & DN065C

Fixation material	Steel
Optical cover/lens finish	Matte
Overall height	45 mm
Overall diameter	175 mm
Color	White
Dimensions (Height x Width x Depth)	45 x NaN x NaN mm (1.8 x NaN x NaN in)

Approval and Application

Ingress protection code	IP20 [Finger-protected]
Mech. impact protection code	IK03 [0.3 J]

Initial Performance (IEC Compliant)

Initial luminous flux (system flux)	1000 lm
Luminous flux tolerance	+/-10%
Initial LED luminaire efficacy	90.00 lm/W
Init. Corr. Color Temperature	4000 K
Init. Color Rendering Index	80
Initial chromaticity	(0.3794, 0.3742) 5SDCM
Initial input power	11 W
Power consumption tolerance	+/-10%

Over Time Performance (IEC Compliant)

Median useful life L70B50	35000 h
---------------------------	---------

Application Conditions

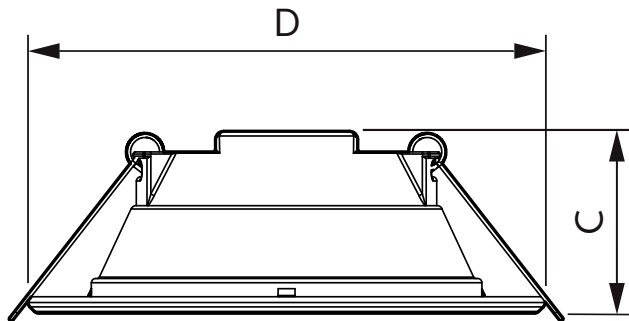
Ambient temperature range	-20 to +40 °C
Suitable for random switching	No

Product Data

Full product code	871869967941500
Order product name	DN065B G2 LED10/840 11W 220V D150 RD EU
EAN/UPC - Product	8718699679415
Order code	929002220532
Numerator - Quantity Per Pack	1
Numerator - Packs per outer box	12
Material Nr. (12NC)	929002220532
Net Weight (Piece)	0.210 kg



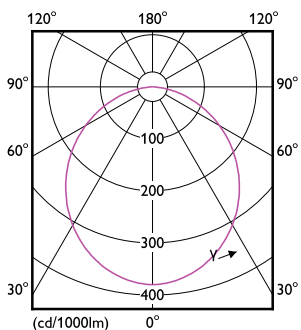
Dimensional drawing



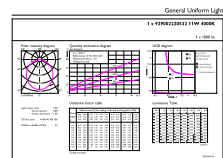
DN065B LED10 840 12W 220-240V D150 EU ND

Product	D	C
DN065B G2 LED10/840 11W 220V D150 RD EU	175 mm	45 mm

Photometric data



Downlight DN065B G2 LED10 840 D150 RD EU



Downlight DN065B G2 LED10 840 D150 RD EU

Ledinaire Slim Downlight DN065B G2 & DN065C

