

Series 92

16mm IP40 IP67 42VAC/DC 50mA



Choose one component from each of the colored sections to assemble a complete switch. For other options or further information please contact EAO Switch directly.

Product Profile

The Series 92 is an interesting alternative to membrane switching systems. This Series consists of sealed PCB indicators and pushbuttons rugged enough to last for more than 1 million operations.

Technical drawings see pages 83-84

- 1NO (SPST) contacts rated at 42VAC/DC, 50mA
- Standard IP40 and sealed IP67 actuators
- Excellent tactile feel
- Actuators mount in standard 16mm diameter front panel hole
- Optional LED illumination
- Flexible to mount underneath overlay (contact EAO Switch direct for Series 70)

Indicator



Indicator actuator, white bezel, IP40 front protection, 16mm mounting - Indicator element, mounting flange and LED needed for complete unit

Color	Part No.	Comment
● Red	92-058.200	
● Yellow	92-058.400	
● Green	92-058.500	
○ Clear	92-058.700	With white diffuser



Indicator actuator, black bezel, IP40 front protection, 16mm mounting - Indicator element, mounting flange and LED needed for complete unit

Color	Part No.	Comment
● Red	92-158.200	
● Yellow	92-158.400	
● Green	92-158.500	
○ Clear	92-158.700	With white diffuser

For complete switch also order **A**

For complete switch also order **A**

Indicator



Indicator actuator, white bezel, IP67 front protection, 16mm mounting - Indicator element, mounting flange and LED needed for complete unit

Color	Part No.	Comment
● Red	92-043.200	
● Yellow	92-043.400	
● Green	92-043.500	
○ Clear	92-043.700	With white diffuser



Indicator actuator, black bezel, IP67 front protection, 16mm mounting - Indicator element, mounting flange and LED needed for complete unit

Color	Part No.	Comment
● Red	92-143.200	
● Yellow	92-143.400	
● Green	92-143.500	
○ Clear	92-143.700	With white diffuser

For complete switch also order **A**

For complete switch also order **A**

Illuminated pushbutton







Pushbutton actuator, white bezel, IP40 front protection, 16mm mounting - Switch element, mounting flange, and optional LED, needed for complete unit

Color	Part No.	Action	Comment
● Red	92-358.200	Momentary	
● Yellow	92-358.400	Momentary	
● Green	92-358.500	Momentary	
○ Clear	92-358.700	Momentary	With white diffuser

For complete switch also order **A**





Choose one component from each of the colored sections to assemble a complete switch.
For other options or further information please contact EAO Switch directly.

 BUZZER	 BLOCK	 LED	 ACCESSORIES
--	---	---	---

 Illuminated pushbutton







Pushbutton actuator, black bezel, IP40 front protection, 16mm mounting - Switch element, mounting flange, and optional LED, needed for complete unit

Color	Part No.	Action	Comment
 Red	92-458.200	Momentary	
 Yellow	92-458.400	Momentary	
 Green	92-458.500	Momentary	
 Clear	92-458.700	Momentary	With white diffuser







Pushbutton actuator, white bezel, IP67 front protection, 16mm mounting - Switch element, mounting flange, and optional LED, needed for complete unit

Color	Part No.	Action	Comment
 Red	92-343.200	Momentary	
 Yellow	92-343.400	Momentary	
 Green	92-343.500	Momentary	
 Clear	92-343.700	Momentary	With white diffuser



Pushbutton actuator, black bezel, IP67 front protection, 16mm mounting - Switch element, mounting flange, and optional LED, needed for complete unit

Color	Part No.	Action	Comment
 Red	92-443.200	Momentary	
 Yellow	92-443.400	Momentary	
 Green	92-443.500	Momentary	
 Clear	92-443.700	Momentary	With white diffuser

For complete switch also order  

For complete switch also order  

For complete switch also order  

 Indicator element



Indicator element

Part No.
92-800.042

Switching element



Switching element, 42VAC/DC, 50mA



Part No.	Action	Contact
92-851.342	Momentary	1NO

Mounting flange



Mounting flange required for PCB adaptation

Part No.
92-960.0

For complete switch also order  

For complete switch also order   



Choose one component from each of the colored sections to assemble a complete switch. For other options or further information please contact EAO Switch directly.



T-1 Bi-Pin LED

A Accessories



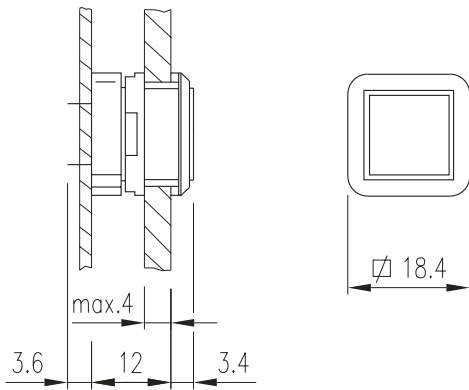
Spacer, PC board and dismantling tool

Color	Part No.	Voltage	Comment	Drawing	Part No.	Product description
Red	10-2602.3172D	2.2VDC / 20mA	Single-chip	1	92-965.0	Spacer
Orange	10-2602.3173D	2.2VDC / 20mA	Single-chip	2	92-989.0	PC board
Yellow	10-2602.3174D	2.2VDC / 20mA	Single-chip	3	92-971.0	Dismantling tool
Green	10-2602.3175D	2.2VDC / 20mA	Single-chip			
Red	10-5609.3172D	12.0VDC / 20mA	Multi-chip			
Orange	10-5609.3173D	12.0VDC / 20mA	Multi-chip			
Yellow	10-5609.3174D	12.0VDC / 20mA	Multi-chip			
Green	10-5609.3175D	12.0VDC / 20mA	Multi-chip			



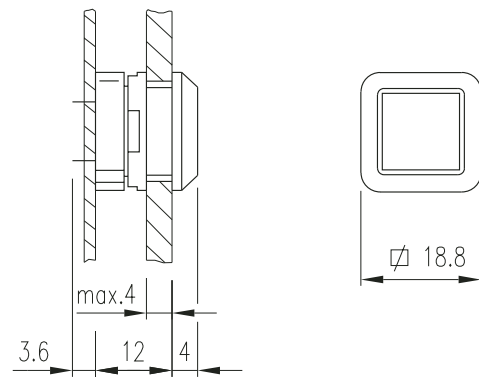
92 Pushbutton, Indicator

Illuminated, flush mounting, IP40



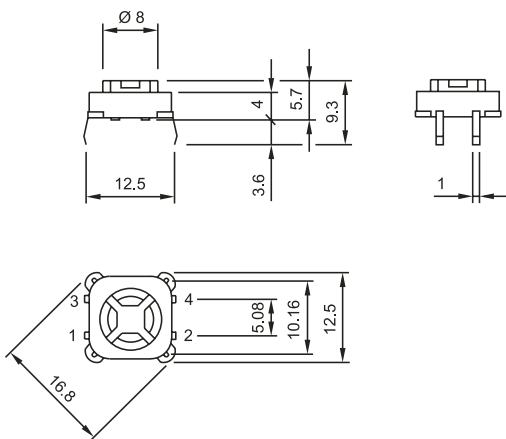
92 Pushbutton, Indicator

Illuminated, flush mounting, IP67

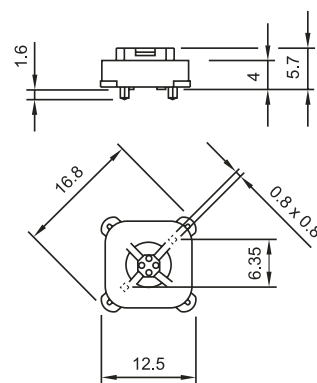


92 Switch Element

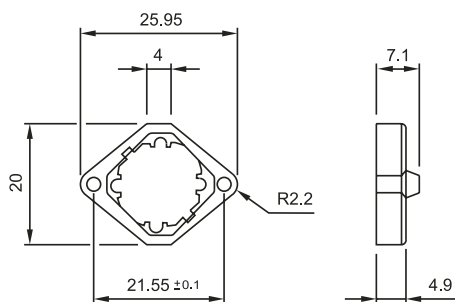
PCB terminal



92 Indicator Element

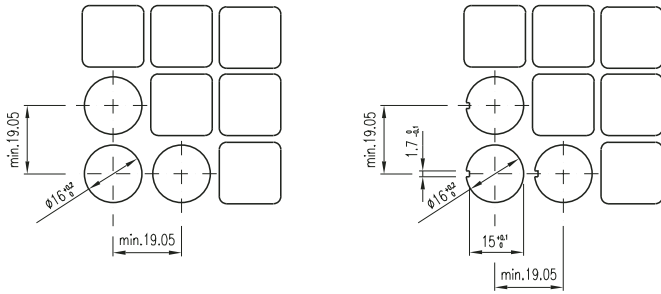


92 Mounting Flange

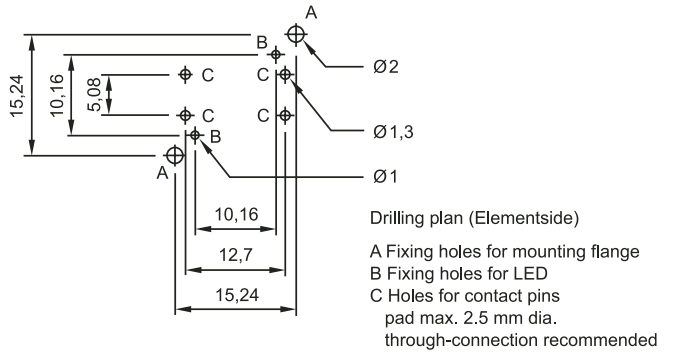


92 Cut-outs

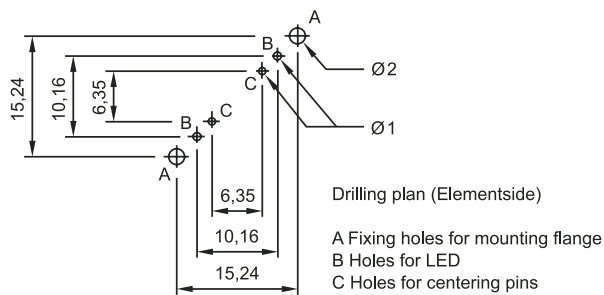
Pushbutton, Indicator, IP40 and IP67



92 Switch Element Cut-outs



92 Indicator Element Cut-outs



92 Array

The positioning and number of mounting flanges is determined by the size of the front panel and PCB. For a consistent tactile operation, position mounting flanges as shown below. Suitable for PCBs of 1.6mm thickness

