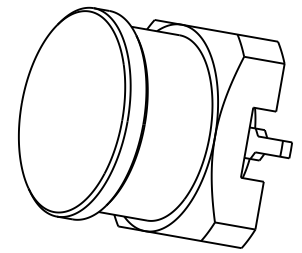


NOTES:

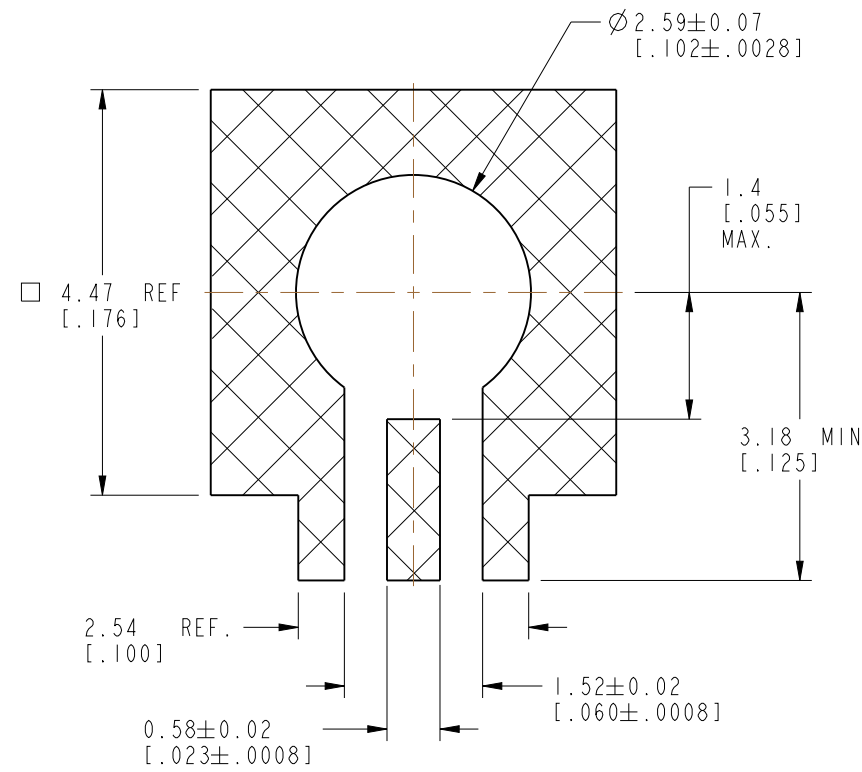
1. MATERIALS AND FINISHES:
 BODY - BRASS, GOLD PLATING
 CONTACT - BRASS, GOLD PLATING
 INSULATOR - LCP, NATURAL
 CAP - PTFE, NATURAL
2. ELECTRICAL:
 A. IMPEDANCE: 50 OHM
 B. FREQUENCY RANGE: DC-10 GHz
 C. CONNECTOR ONLY VSWR: 1.15 MAX. AT DC-10 GHz
 RESULTS WILL VARY BASED ON BOARD CONFIGURATION.
 D. DIELECTRIC WITHSTANDING VOLTAGE: 500 VRMS, MIN.
 E. INSULATION RESISTANCE: 1,000 MEGOHMS MIN.
3. MECHANICAL:
 A. DURABILITY: 100 CYCLES MIN.
 B. TEMPERATURE RANGE: -65°C TO +165°C
4. PACKAGING:
 A. QUANTITY: TAPE & REEL PACKED, 1000 PCS/REEL
 B. MARKING: PACKAGING TO BE MARKED
 "AMPHENOL RF, 925-204J-5IPT, AND DATE CODE"

THIRD ANGLE PROJ.

REVISIONS				
REV	DESCRIPTION	DATE	ECN	APPR
A	RELEASE TO MFG.	13-Sep-19	12922	EH

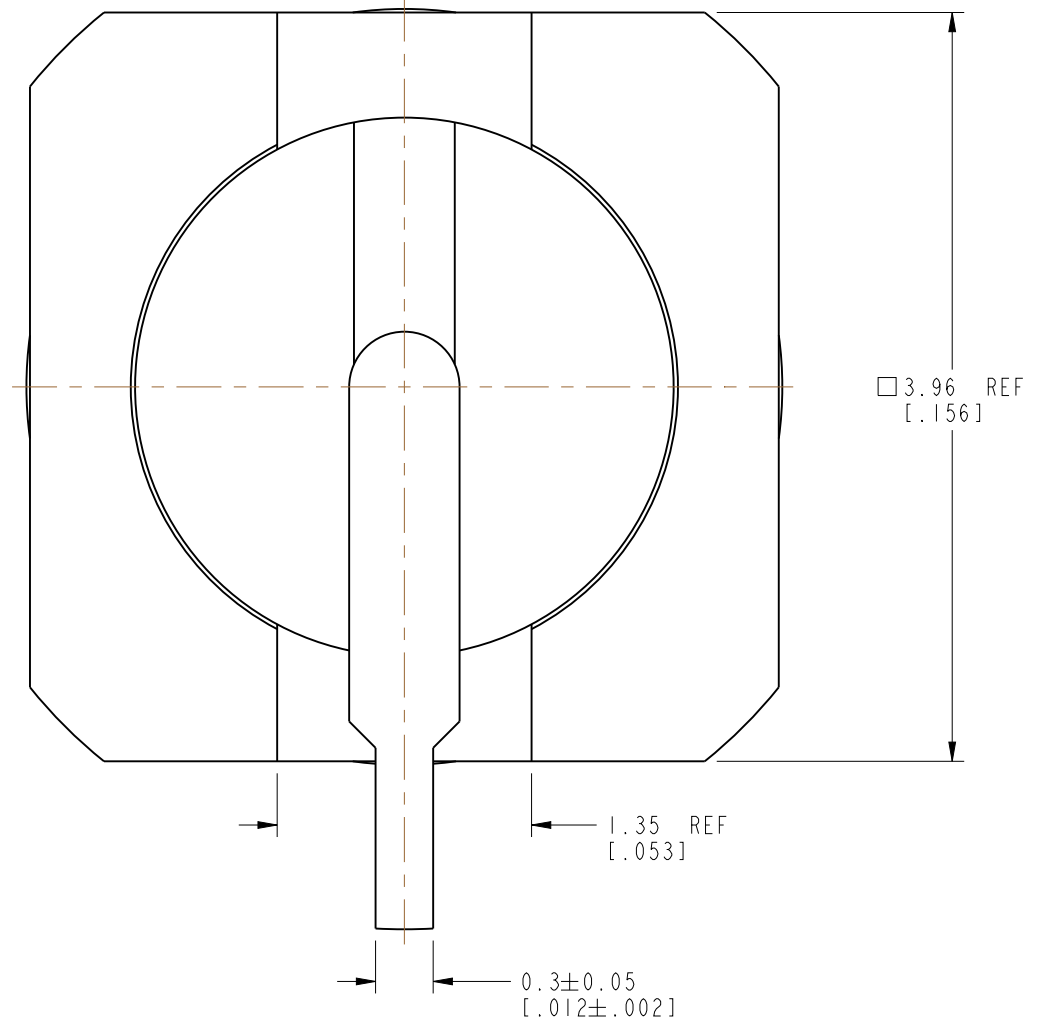
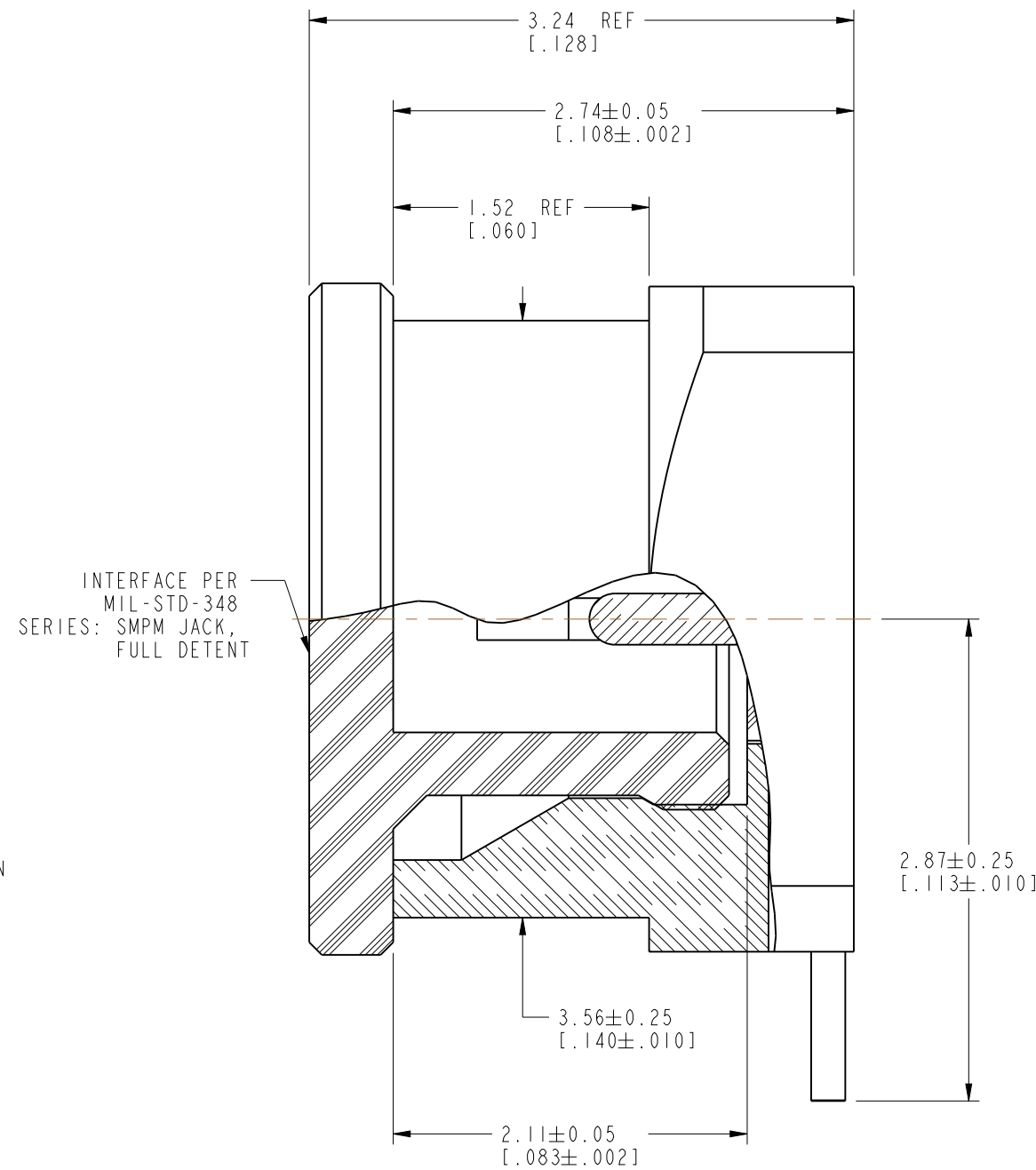


SCALE 7.000



RECOMMENDED PCB LAYOUT

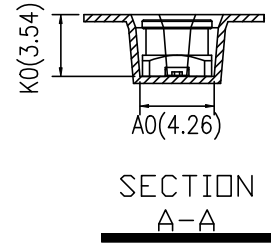
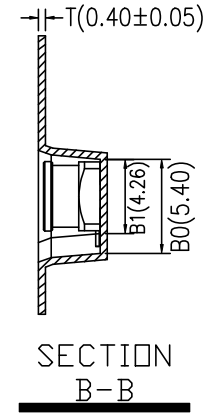
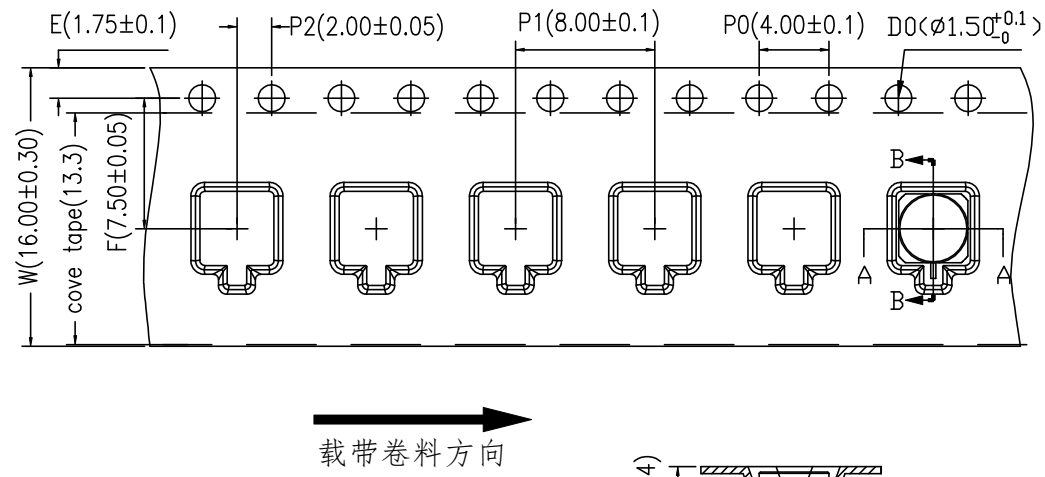
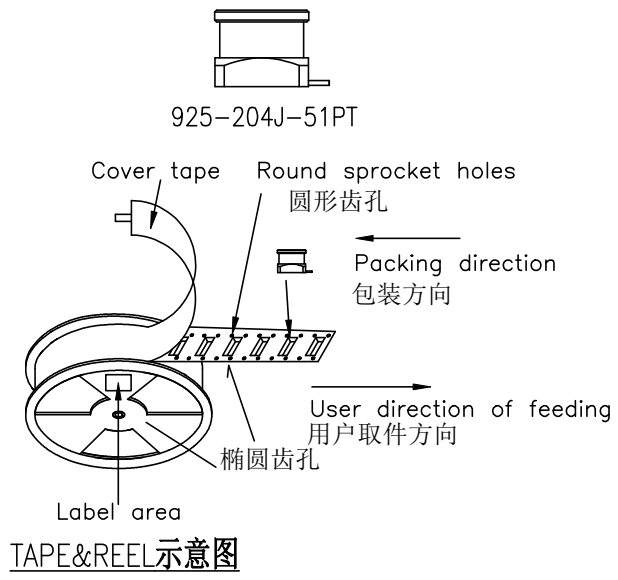
DESIGNED FOR USE WITH 0.25MM [0.010"] THICK ROGERS 4350 PCB MATERIAL. THESE DIMENSIONS MAY VARY DEPENDING ON PCB MATERIAL USED.



CUSTOMER OUTLINE DRAWING
 ALL OTHER SHEETS ARE FOR INTERNAL USE ONLY

UNLESS OTHERWISE SPECIFIED, DIMENSIONS ARE IN METRIC AND TOLERANCES ARE: <0.5mm ± 0.05mm 0.5 - 6mm ± 0.1mm 6 - 30mm ± 0.2mm 30 - 120mm ± 0.3mm ANGLES ±1°	MATERIAL NOTE 1	DRAWN E. HILL	DATE 24-May-19	TITLE SMPM STR JACK, FULL DETENT, SURFACE MOUNT (TAPE & REEL) SCALE: 25.0:1.0 SHEET 2 OF 3	Amphenol RF www.amphenolrf.com
	REFERENCE EAR# 8985 REF: ---	ENGINEER E. HILL	DATE 24-May-19		
NOTICE - These drawings, specifications, or other data (1) are, and remain the property of Amphenol corp. (2) must be returned upon request; and (3) are confidential and not to be disclosed to any person other than those to whom they are given by Amphenol Corp. the furnishing of these drawings, specifications, or other data by Amphenol Corp., or to any other person to anyone for any purpose is not to be regarded by implication or otherwise in any manner licensing, granting rights to permitting such holder or any other person to manufacture, use or sell any product, process or design, patented or otherwise, that may in any way be related to or disclosed by said drawings, specifications, or other data.	CONFIGURATION LEVEL: In Work	APPROVED K. CAPOZZI	DATE 13-Sep-19	DWG SIZE B REV A	ITEM NO. 925-204J-5IPT PART NO. 925-204J-5IPT
	FINISH	CAD FILE			

DRAWING NO.		REV	REVISIONS				
THIRD ANGLE PROJ.		⊕ ◀	A	DESCRIPTION	DATE	ECO	APPR
				RELEASE TO MFG.			Zoe



- Notes:**
- 1. 10 sprocket hole pitch cumulative tolerance ±0.20mm**
(每10个链轮齿孔累积公差为±0.2MM)
 - 2. Carrier camber not to exceed 1mm in 250mm.**
(传送料带弯曲变形每250MM不超过1MM)
 - 3. A₀ and B₀ measured on a plane 0.3mm above the bottom of the pocket.**(A₀与B₀在同一平面测量且距口袋底部0.3MM)
 - 4. K₀ measured from a plane on the inside bottom of the pocket to the top surface of the carrier.**
(K₀为口袋底部与材料表面的平面距离。)
 - 5. All dimensions meet EIA-481-D requirements.**
(所有尺寸符合EIA-481-D标准要求。)
 - 6. Material: Black Antistatic polystyrene .**
(材料: 黑色聚苯乙烯。)
 - 7. Thickness: 0.40 ±0.05 mm.**
(厚度: 0.40 ±0.05毫米。)
 - 8. Packing length per 13" reel : 8.64Meters.**
(每个13"卷轴包装长度8.64米。)
 - 9. Component loader per 13" reel : 1000pcs.**
(每个13"卷轴可装1000个零件。)

客户需求只包1000个数量，与925-131J-51S共用，只需更改数量

包装信息	
卷盘	330mmx16mm
卷盘信息	宝蓝连体盘
上封带	13.3MM
每盘格数	1000pcs+前后各空40pcs
生产模具信息	
间距	8mm
模具穴数	12穴
成型模数	90模
每盘长度	8.64M

ITEM	W	A ₀	B ₀	K ₀	K ₁	P ₁	F	E	D ₀	D ₁	P ₀	P ₂	T
DIM	16±0.3	4.26±0.1	5.4 ±0.1	3.54±0.1		8.0±0.1	7.5±0.1	1.75±0.1	1.5 ^{+0.1} ₀		4.0±0.1	2.0±0.1	0.4±0.05

UNLESS OTHERWISE SPECIFIED, DIMENSIONS ARE IN METRIC AND TOLERANCES ARE: 0.5 - 6mm ±0.1mm 6 - 30mm ±0.2mm 30 - 120mm ± 0.3mm ANGLES ±1°	MATERIAL	Black PS	DRAWN	Zoe	DATE	May-24-19'	TAPE & REEL			Amphenol RF Danbury, CT, USA Tainan, Taiwan Shenzhen, China www.amphenolrf.com					
	REFERENCE		ENGINEER		DATE		DESCRIPTION							925-204J-51PT (1K) 13寸 TAPE	
NOTICE - These drawings, specifications, or other data (1) are, and remain the property of Amphenol Corp. (2) must be returned upon request; and (3) are confidential and not to be disclosed to any person other than those to whom they are given by Amphenol Corp. The furnishing of these drawings, specifications, or other data by Amphenol Corp., or to any other person for any purpose is not to be regarded by implication or otherwise in any manner licensing, granting rights or permitting such holder or any other person to manufacture, use or sell any product, process or design, patented or otherwise, that may in any way be related to or disclosed by said drawings, specifications, or other data.	FINISH		APPROVED		DATE		SCALE:	1/1	SHEET	1 OF 1	DRAWING NO.		12080000xxA	REV	A
	PART NO.	12080000xxA	CAD FILE:F:\DWG\PACKAGING\TAPE REEL\12080000xxA(925-204J-51PT TAPE)				CODE ID	DWG SIZE	A						