

## SHOP BY CATEGORY

All Categories  SEARCH

All Products

Home > All Products > 92 Series- L.E.D.'s & L.E.D. holders > RGB L.E.D. Lighting Power Amplifier 12Vdc, 144 Watts

3D Products

Model: 92-353 | RGB L.E.D. Lighting Power Amplifier 12Vdc, 144 Watts

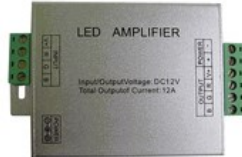
New Products

Spec Sheets

Personal Info

### RGB L.E.D. Lighting Power Amplifier 12Vdc, 144 Watts

Item# 92-353



Click To View  
**OUR LATEST CATALOG 61**



### Product Description

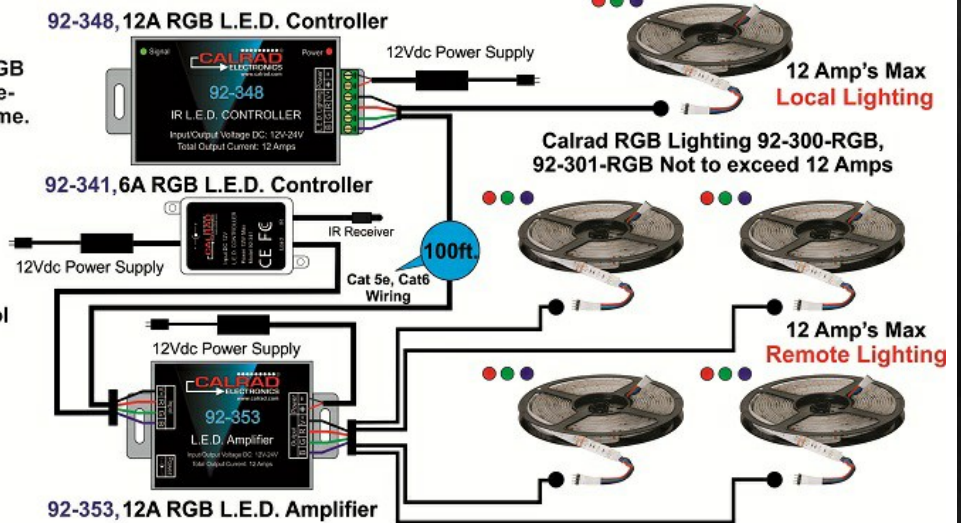
**92-353 | RGB L.E.D. Lighting Power Amplifier 12Vdc, 144 Watts.** Used to add or extend RGB lighting signals from RGB L.E.D. controllers. Works with these Calrad RGB controllers, [92-341](#) (IR, 72 Watts), [92-341-RF](#) (RF, 72 Watts), [92-348](#) (IR, 144 Watts), [92-348-RF](#) (RF, 144 Watts) RGB L.E.D. lighting controllers. Use Cat5e, Cat6 cabling between 92-353 units for low current RGB signal delivery. Use Calrad's [45-609-HG-UL](#), (12Vdc, 29 amp power supply) for systems up to max current of 80% of the total system load, (23 Amps) or use individual power supplies like Calrad's [45-608-HG](#), (12Vdc, 6amp power supply). When designing a system using individual 92-353 units it's a good idea to use only up to 80% of the rated current output, about 10 Amps for long term reliability. Please note only one L.E.D controller can be used to drive 92-353 amplifiers at a time. The 92-353 amplifiers work with all Calrad RGB lighting systems.

Calrad L.E.D. Brochure, Link: [Calrad L.E.D. Brochure in PDF \(5MB\)](#)

**Note!**  
Use only one RGB lighting source-controller at a time.



Remote Control (IR or RF)



**Diagram 1A. Typical Hookup**

### Specifications:

- **Voltage:** 12-24Vdc
- **Output Current Total:** 12 Amps
- **Output Current Red:** 4 Amps
- **Output Current Green:** 4 Amps
- **Output Current Blue:** 4 Amps
- **Connecting Mode:** Common Anode (V+)
- **Connectors:** 2.1mm Coax power jack (5Amps) Secondary Power, Removable 4, 6 position phoenix connectors, (DC Power 12Amps Primary Power + RGB, V+), accepts up to 14Awg. cable.
- **Chassis Size:** L - 3.14in, W - 2.54in, H - .95in, Material: Aluminum
- **Mounting tabs:** (Two) L - 1.15in, W - .51in, Thickness .06in, .56in x .11in mounting slot.

Delete Credit/Debit Card  
Are you sure you want to delete this card from your saved cards?