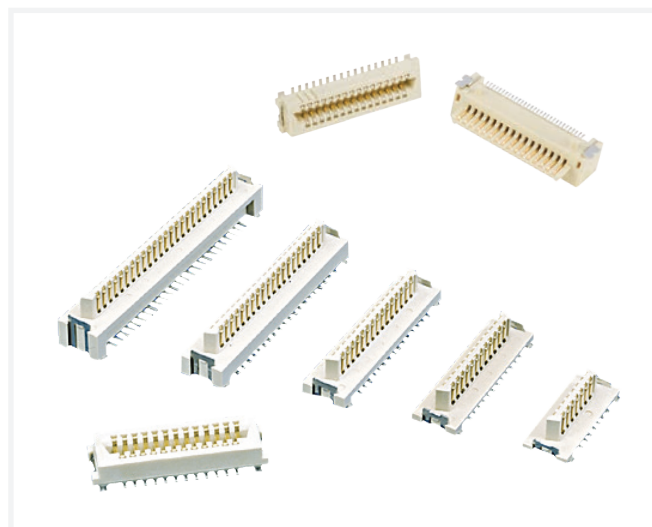


Conan[®] 1.00mm Connector System

SECURE, HIGH SPEED DESIGN FOR HARSH ENVIRONMENTS

Amphenol ICC's Conan[®] 1.00mm is a mezzanine connector designed for industrial applications and harsh environments. Its unique design with an audible "click" sound enhances the security and ease of use.

- New right angle configuration in 4 pin counts
- Right angle configurations has compact size of 8.5mm depth and 5.3mm height on PCB after mating
- Enables perpendicular stacking application



TARGET MARKETS



FEATURES

- Vertical configuration
 - 9 to 69 positions
 - 4.15mm to 7.0mm stack heights increment
- Right angle configuration
 - 31, 41, 51, 69 position increment
- Vertical housing and terminal profile guarantees support of up to 5Gb/s
- Vertical versus vertical mating configuration
- Vertical receptacle versus RA header mating configuration
- Audible "click" sound during mating
- Polarization feature of housing
- Multiple packaging options available
- Locating pegs option
- Metal hold down option
- RoHS compliant and lead free

BENEFITS

- Comprehensive range of sizes and stack heights support diverse electronic packaging schemes
- Comprehensive solution to satisfy all customers needs
- Compatible with PCIe[®] Gen high speed performance on selected stack heights
- Useful for parallel board stacking application
- Useful for perpendicular stacking application
- Ensures secure mating interconnection
- Prevents mismating
- Meets various feeding processing needs
- Facilitates ease and accuracy during manual assembly
- Enables better retention on to the PCB
- Meets environmental, health and safety requirements

TECHNICAL INFORMATION

MATERIAL

- Contact Base Metal
 - Header: Phosphor Bronze
 - Receptacle: Copper Alloy, High Spring
- Contact Area Finish: Gold or GXT®
- Solder Tail Area: Pure Tin over 1.27µm Nickel
- Housing Material: Cream-colored LCP (UL94V-0)

MECHANICAL PERFORMANCE

- Mating Force: 125g per contact max.
- Unmating Force: 25g per contact min.
- Retention Force (connector to PCB): 44N min.
- Contact Wipe: 0.64mm
- Durability: 30 mating cycles

ELECTRICAL PERFORMANCE

- Insulation Resistance: 1000MΩ min.
- Contact Resistance: 30MΩ max.
- Withstanding Voltage: 500VAC RMS 60Hz
- Current Rating: 1.0A continuous (per contact, all contacts powered)
- Signal Integrity (differential pairs, connector only)
 - Impedance: 100Ω +/- 10 @ 50 ps edge (10-90%)
 - Insertion Loss: < 1.5dB up to 5GHz
 - NEXT: ≤ 3.5% for a 50 ps edge (10-90%)
 - FEXT: ≤ 2.5% for a 50 ps edge (10-90%)

ENVIRONMENTAL

- IMFG per EIA 364-65 class 2a without SO2, 20 days mated
- High Temperature Life: 105°C

SPECIFICATIONS

- Product Specification: GS-12-006

PACKAGING

- Tape and reel with vacuum pickup caps

TARGET MARKETS/APPLICATIONS



Communications and Networking Equipment



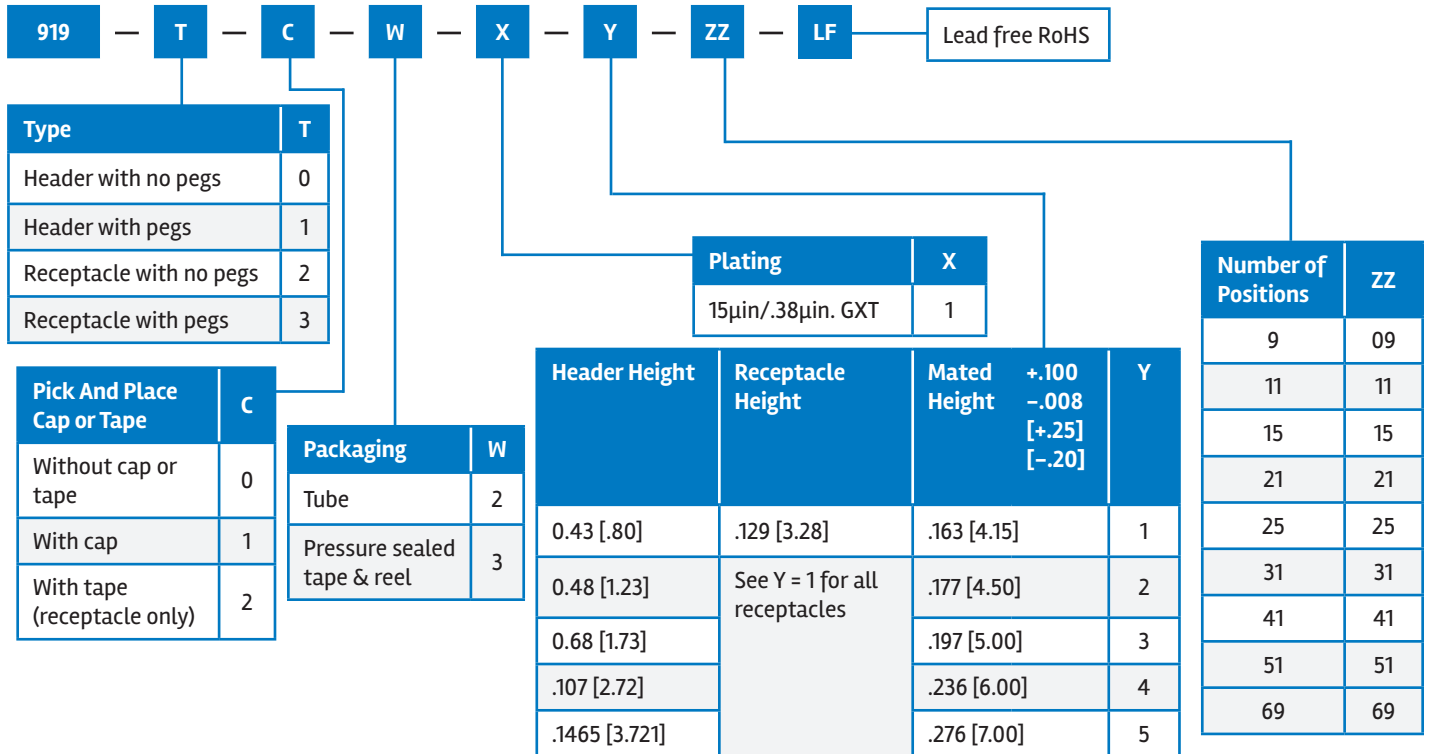
Electronic Security
Energy Controller/Module/Display
Machine-to-Machine (M2M) Office
Equipment
Point-of-Sale Equipment, Scanning
Portable Meter/Instrument



Medical Diagnostics

PART NUMBER SELECTOR

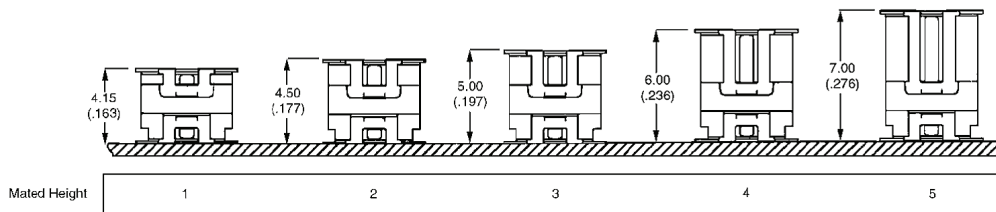
VERTICAL



Recommended packaging combinations:

For production: Connector with pick and place cap packaged in tape and reel (XXXX1-3XXXX)
 For proto-typing: Connector without pick and place cap packaged in tubes (XXXX0-2XXXX)
 For commercial applications see print 10118744

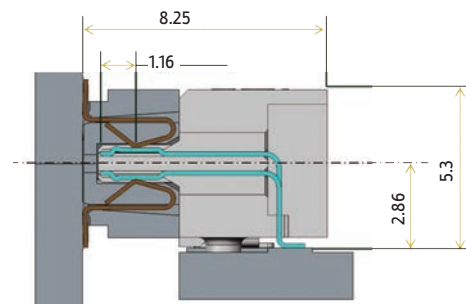
MODULE



Mated connector max. width: 5.59mm

RIGHT ANGLE

Description	Part Numbers
Conan® right angle header, 31 positions	10138400-111131LF
Conan® right angle header, 41 positions	10138400-111141LF
Conan® right angle header, 51 positions	10138400-111151LF
Conan® right angle header, 69 positions	10138400-111169LF



BASICS/CONAN061E44